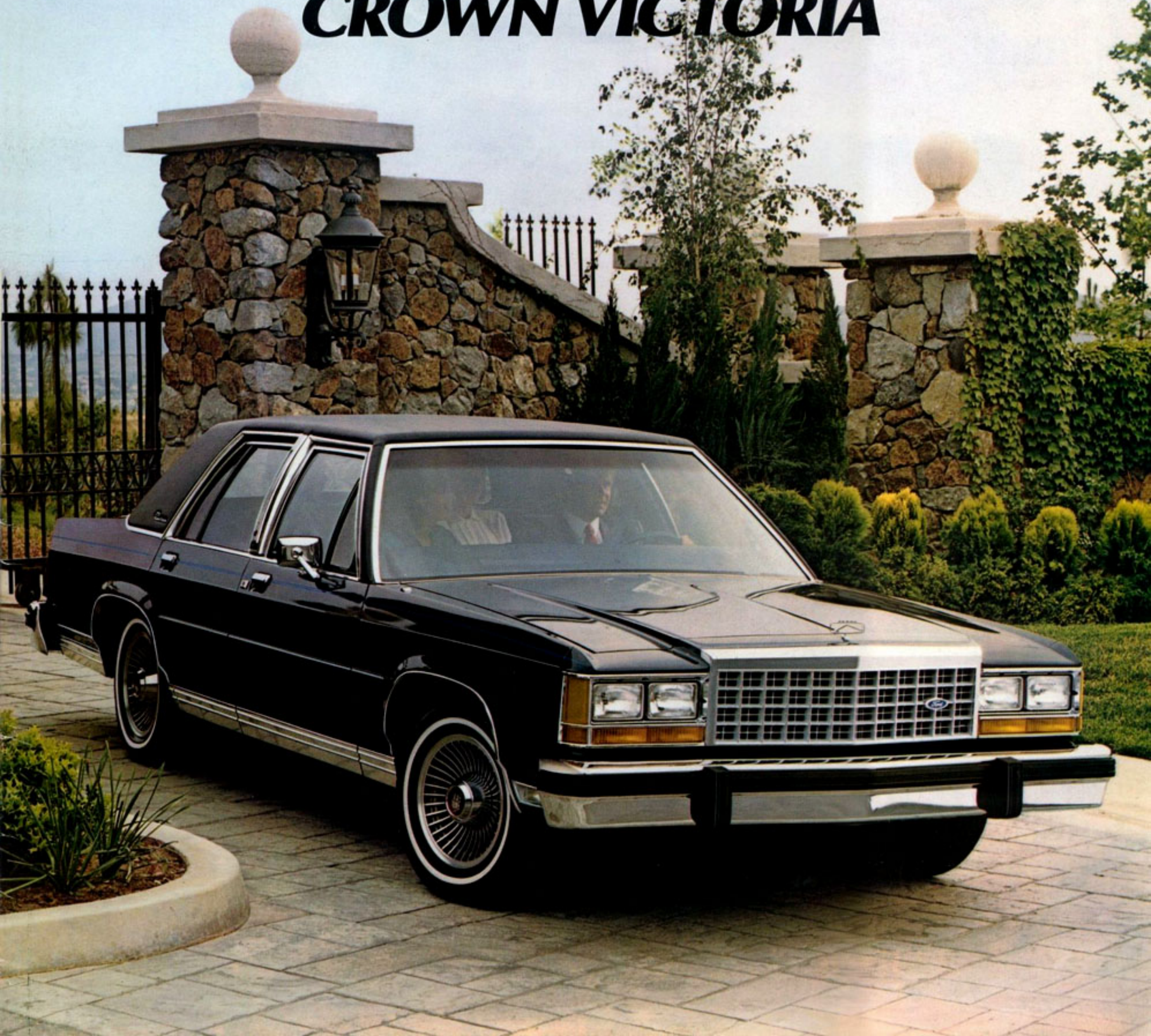


1986 FORD LTD CROWN VICTORIA



FORD LTD CROWN VICTORIA



LTD Crown Victoria 2-Door Coupe features full 6-passenger roominess and a large deep-well trunk. It includes V-8 power with an Automatic Overdrive transmission, and it offers a long list of comfort and convenience features as standard equipment.



LTD Crown Victoria 4-Door Sedan combines power, comfort and roominess with the convenience of four wide-opening doors that help you get in and out with ease.

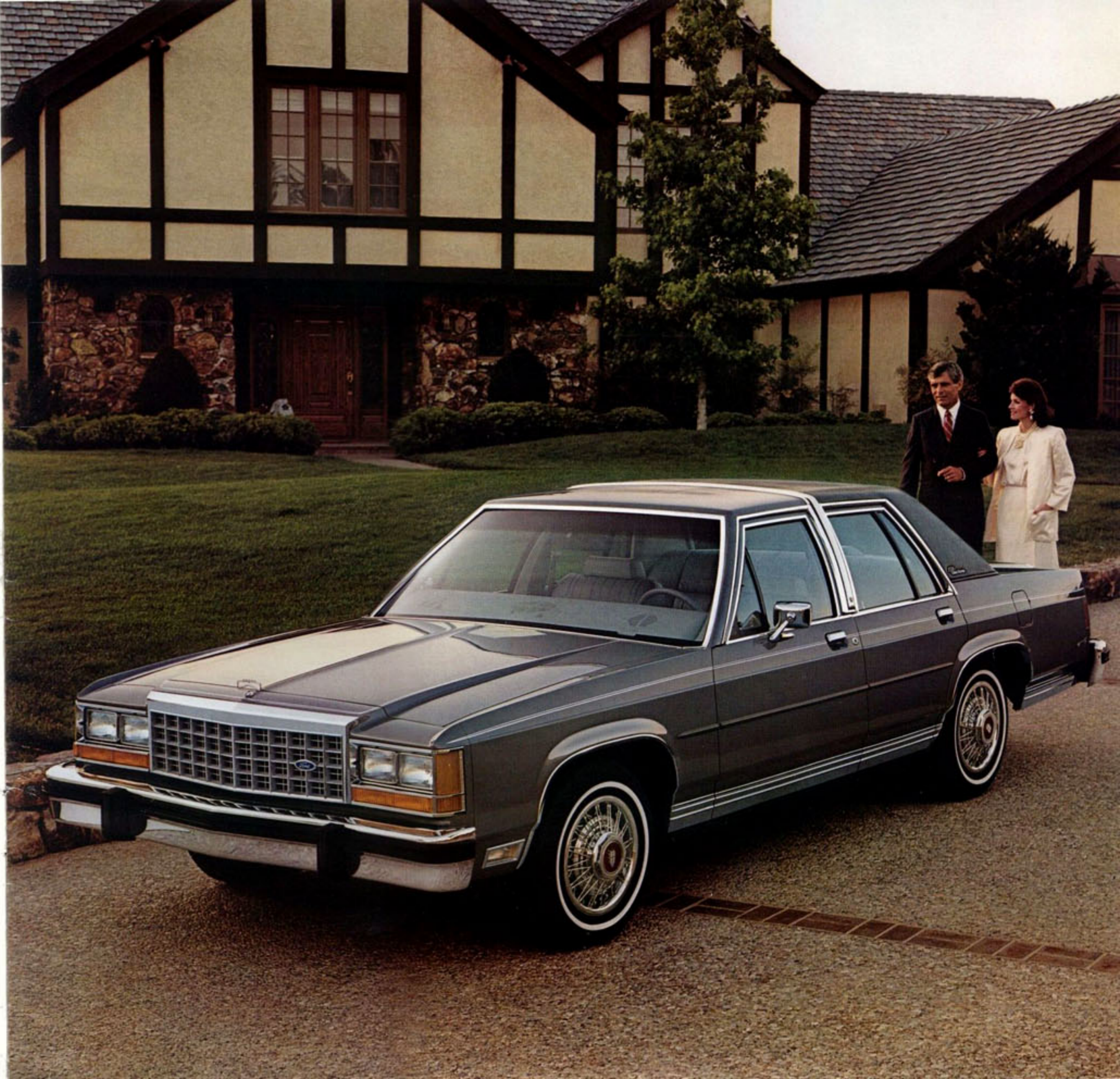


LTD Crown Victoria Wagon has seating capacity for up to eight (with optional dual facing rear seats) which can be converted for carrying lots of cargo. The **Country Squire Wagon** features the classic look of woodtone bodyside and doorgate paneling.

Ford LTD Crown Victoria for 1986... from the maker of the best-built American cars

A 1985 survey of owners has established that Ford makes the best-built American cars. This is based on an average of problems reported by owners in the prior six months on 1981-84 models of all cars designed and built in the United States. Proof again that, at Ford... Quality is Job 1.

LTD Crown Victoria LX Series. LX Sedan, Coupe and Wagons offer the finest in LTD Crown Victoria luxury and comfort (see page 9).



At right: LTD Crown Victoria LX 4-Door Sedan in Dark Grey Metallic. Shown with one of LTD Crown Victoria's new Preferred Equipment Packages. See pages 16-17 for details.

Some equipment shown may be optional. See options list on page 19.

Contents

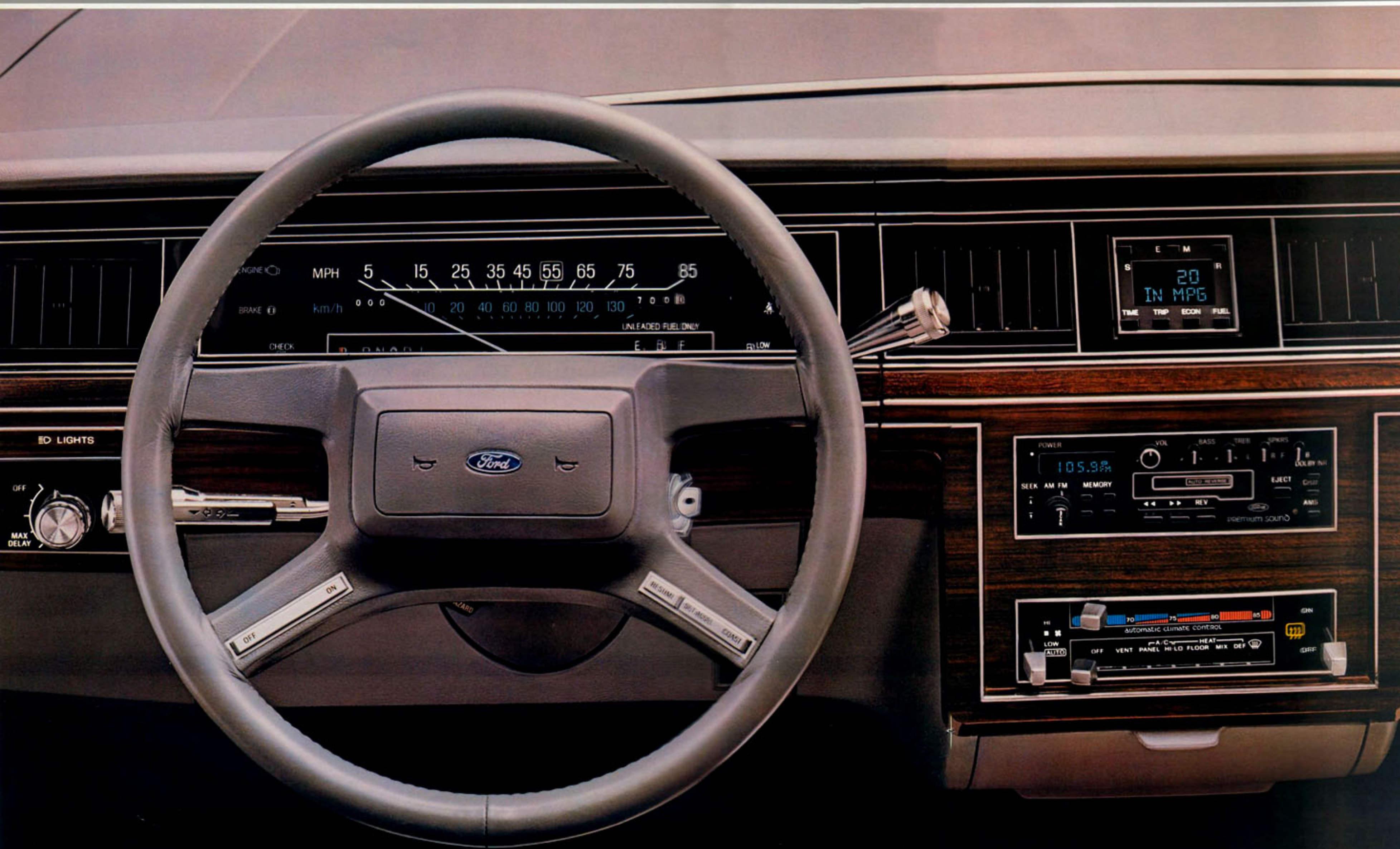
Ford LTD Crown Victoria Environment.....	8-9
Ford LTD Crown Victoria Sedan and Coupe	10-11
Ford LTD Crown Victoria Wagons.....	12-13
Ford Performance	14-15
Preferred Equipment Packages.....	16-17
Features, Options, Colors and Trims	18-19
Safety and Owner Information	20-21



*LTD Crown Victoria LX 4-Door
Sedan in Silver Metallic with
Brougham Roof. Some equip-
ment shown may be optional.
See options list on page 19.*



*LTD Crown Victoria LX interior
in Medium Grey. Some
equipment shown may be
optional. See options list on pg. 19.*



Inside the Ford LTD Crown Victoria

Full-size luxury

In a world that seems dominated by smaller cars, LTD Crown Victoria offers full 6-passenger roominess and the kind of luxury and comfort that few can match. And for what you want to bring along, the roomy, carpeted deep-well trunk provides 22.4 cubic feet of luggage space and a low liftover height for easy loading and unloading.

Seating position, vehicle structure and the placement of instruments were carefully created with the comfort and convenience of the driver and passengers foremost in mind. The doors, seats and roof, for example, were designed for the best combination of head, shoulder, hip and leg room. The low lines of the hood, cowl and belt line, together with the narrow roof pillars and large glass areas, create a wide field of vision.

A seat design with the emphasis on comfort

LTD Crown Victoria seats were carefully created for comfort and firm support. The front seats incorporate steel backs and side rails which support molded foam cushions. Steel "Flex-o-lator" mats provide a large surface for cushion support.

Standard seating is a flight bench front seat with dual recliners and fold-down center armrest. Reclining split bench seats are optional. And available with both is the 6-way power seat option. You can adjust the seat forward/back, up/down, or tilt forward/back.



LX split bench seat shown with optional leather upholstery and 6-way power.

The LTD Crown Victoria LX: the ultimate in Crown Victoria luxury

In the LX (available in all body styles), the split bench seats feature recliners for driver and passenger and are upholstered in a choice of velour cloth or supersoft vinyl (leather trim upholstery is optional). Handy map pockets are located on the seat backs. The luxury door trim panels include pull straps and full-length armrests. There's a carpeted spare tire cover in the luggage compartment of the Coupe and Sedan. Additional convenience items include an electronic digital clock, trip odometer, power side windows, dual illuminated visor mirrors, the Light Group (see page 18), and lights for low fuel and low oil level.

The LTD Crown Victoria instrument panel in Medium Grey. Some items shown may be optional. See options list on page 19.

FORD LTD CROWN VICTORIA



A matter of riding comfort

There aren't many cars like them around today. LTD Crown Victoria gives you true 6-passenger roominess along with the smooth, comfortable ride it's noted for.

Up front, the full flight bench seat has rich cloth seating surfaces and the convenience of dual recliners (split bench seats are optional). The carpeting is luxurious cut-pile. Also standard are features you would expect in this kind of an automobile: AM/FM stereo radio (may be deleted for credit), quartz electric clock, a left-hand remote-control mirror, and more. And whether you choose 2-door or 4-door, Super Luxury insulation helps keep noise outside.



Above: LTD Crown Victoria 4-Door Sedan in Shadow Blue Metallic.

Far left: LTD Crown Victoria interior in Midnight Blue.

Left: LTD Crown Victoria 2-Door Coupe in Two-Tone Silver Metallic over Dark Grey Metallic.

Some equipment shown may be optional. See options list on page 19.

FORD LTD CROWN VICTORIA AND COUNTRY SQUIRE WAGONS

Full-size luxury from the Wagonmaster



LTD Crown Victoria and Country Squire offer full-size capability from Ford, America's "Wagonmaster." These wagons exemplify the comfort, spaciousness and versatility long associated with the Wagonmaster tradition.

LTD Crown Victoria and Country Squire Wagons share the smooth ride and V-8 power of the sedan models and offer a full 88.2-cubic-foot cargo volume index. There are another 9.9 cubic feet in a lockable storage compartment beneath the load floor, and 2 cubic feet more in a handy lockable compartment in the side panel.*

There is also the convenience of the 3-Way Doorgate. It opens like a door with the window open or closed, or swings down like a conventional tailgate. Add the dual facing rear seats option, and LTD Crown Victoria and Country Squire Wagons seat eight. For comfort with practicality, Ford's unique DuraWeave upholstery is available. It looks, feels, and breathes like cloth, yet wears and cleans like vinyl. And for the finest in comfort and luxury, select LTD Crown Victoria or Country Squire LX, described on page 9.

Carrying up to eight people in comfort. Hauling lots of cargo. Towing big loads. That's LTD Crown Victoria and Country Squire.

*See Measurements on page 21 for volume differences with dual facing rear seats.



Above: LTD Country Squire Wagon in Oxford White.

Above left: DuraWeave upholstery in Midnight Blue.

Right: LTD Crown Victoria Wagon in Sand Beige.

Some equipment shown may be optional. See options list on page 19.





Ford performance over the road and under the hood

Built to smooth the way

Generally speaking, the longer the wheelbase a vehicle has, the better the ride. LTD Crown Victoria combines a 114.3-inch wheelbase with solid body-on-frame construction. Through the aid of computer design and efficient materials, the frame is a platform of high structural strength. The body rests on 16 large rubber bushings which eliminate body/frame contact to reduce annoying road noise and vibration.

Special shocks for riding comfort

The shock absorbers contain a low-pressure charge of nitrogen, and are the same type used on some much more expensive luxury cars. The nitrogen gas suppresses foaming of the hydraulic fluid due to rapid bumps or similar agitation. What this means to you is that the ride is smooth under normal circumstances, yet firm enough for rough road conditions.

An optional automatic load-leveling suspension

Those people, especially wagon owners who load up their cars for vacationing or for any other reason, will appreciate the automatic load-leveling suspension option. It compensates for added weight and provides optimum ride quality when the car is carrying its maximum load.

LTD Crown Victoria 4-Door Sedan in Black. Some equipment shown may be optional. See options list on page 19.

Standard V-8 power

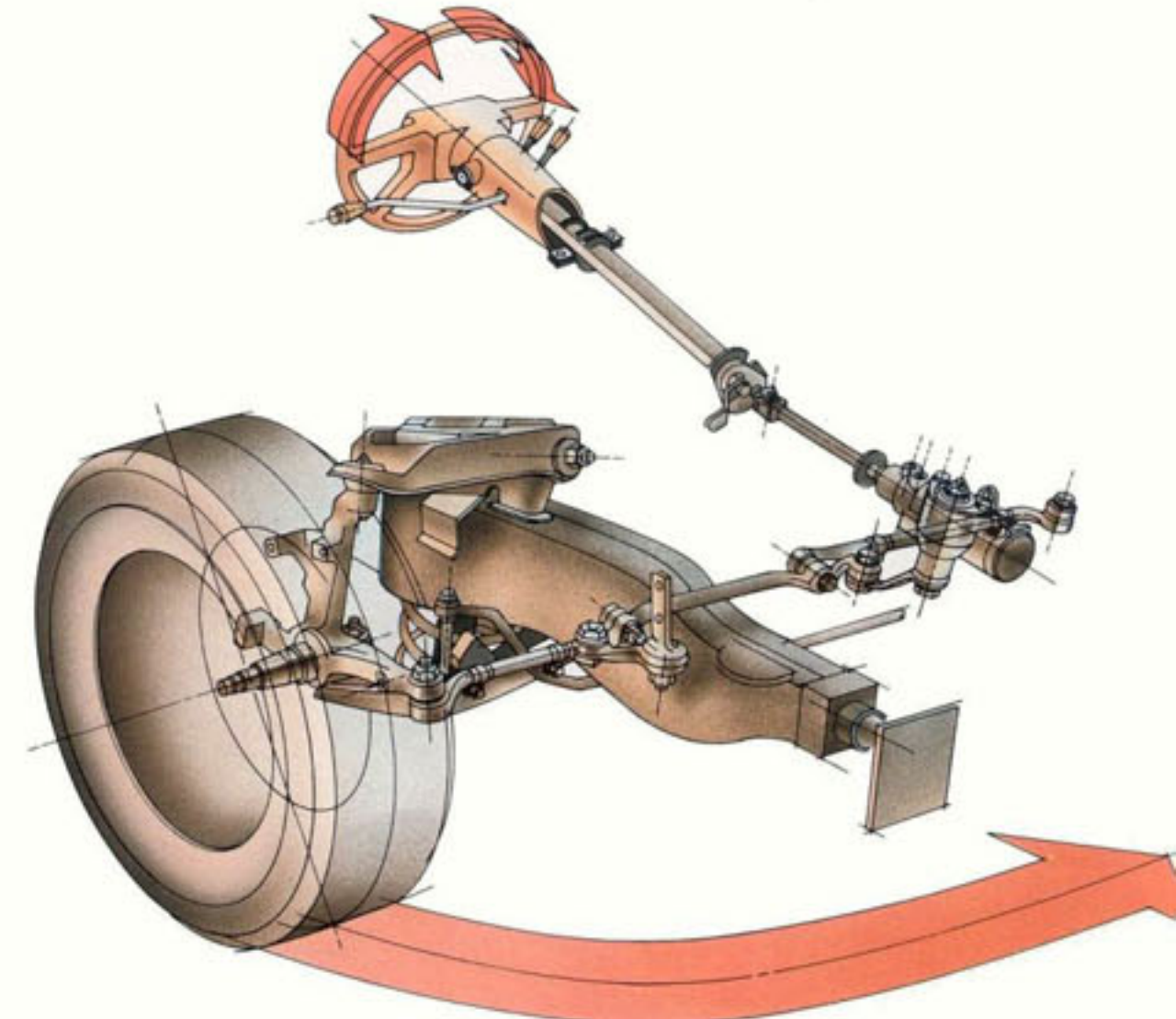
LTD Crown Victoria's standard engine is the electronically fuel-injected 5.0 liter V-8. The combination of V-8 power, body-on-frame construction and the optional heavy-duty trailer towing package allows the towing of big trailers up to 5,000 pounds trailer weight (reduced by passenger and cargo weight in towing vehicle). That's a capability most cars cannot match.



Engine shown is equipped for display purposes.

Multiple-port electronic fuel injection

The multiple-port, sequential electronic fuel injection system (EFI), standard with LTD Crown Victoria, has significant advantages over a conventional carburetor. The principal one is a more efficient use of fuel, accomplished by the precise high-pressure injection of the fuel near each cylinder intake port. This has the added benefit of reducing evaporative loss. EFI means improved overall operation, controlled idle speed, smooth running and easier starting in temperature extremes. It's combined with EEC-IV computer controls for optimum power, response and efficiency.



A fuel-saving transmission

The Automatic Overdrive transmission (AOD), a Ford innovation, plays a key role in LTD Crown Victoria's efficiency. This transmission automatically shifts into an overdrive fourth gear when the vehicle exceeds approximately 45 mph and the driver eases up on the accelerator pedal. In overdrive, engine speed is reduced by about one-third. The result is improved highway fuel economy and reduced engine wear.

Gas mileage

1986 EPA mileage estimates were not available at the time this catalog was approved for printing. As soon as EPA figures are released, your Ford Dealer will be among the first to receive this information and will be happy to pass it along to you.

LTD Crown Victoria features standard power steering, power front disc/rear drum brakes, and P-metric 15-inch steel-belted radial-ply WSW tires.

LTD Crown Victoria powerteam

Engine	Transmission	Final Drive Ratio*	
5.0L EFI V-8	Automatic Overdrive	Std. 2.73	Traction-Lok 3.08

*3.08 ratio is standard in certain areas of the country and with any optional suspension. The Trailer Towing Package includes a higher axle ratio.

A WELL-EQUIPPED CAR

The LTD Crown Victoria LX 4-Door Sedan pictured below illustrates the high level of equipment in this series. Included is Preferred Equipment Package 112A, with the kinds of features that have proved popular with many car buyers.



LTD Crown Victoria LX (with Preferred Equipment Package 112A):

- 5.0 liter V-8 engine with EFI
- Automatic Overdrive transmission
- Power steering
- Power front disc/rear drum brakes
- Gas-pressurized shock absorbers
- "Super Luxury" sound insulation

- Padded rear half vinyl roof
- Quad rectangular halogen headlamps
- Front and rear bumper guards
- Vinyl insert bodyside moldings
- Hood, bodyside and decklid accent stripes
- Luxury split bench front seats with dual recliners (choice of velour or supersoft vinyl)

- Luxury door trim with pull straps and full-length armrests
- AM/FM stereo radio with four speakers (may be deleted for credit)
- Power side windows
- Light Group
- Electronic digital clock
- 18-oz. luxury floor carpet
- Air conditioning (manual)
- Tinted glass (complete)

- Dual electric remote-control mirrors
- Speed control
- P215/70Rx15 WSW tires
- Rocker panel moldings
- Front and rear bumper rub strips
- Rear window defroster
- Power Lock Group
- 6-Way power driver's seat
- Tilt steering wheel
- Interval windshield wipers

- Leather-wrapped steering wheel
- Cornering lamps
- Front and rear color-keyed carpeted floor mats
- Pivoting front vent windows
- Locking wire-style wheel covers

PREFERRED EQUIPMENT PACKAGES

Ordering your LTD Crown Victoria is easy with Preferred Equipment Packages. Here's how it works: (1) Choose your body style (2-door coupe, 4-door sedan, wagon). (2) Select the Preferred Equipment Package with the features you want from the charts at right. The entire ordering procedure is greatly simplified. And you save money on each package compared to the total traditional price if the items were purchased separately (Packages 110A and 130A excepted). Options are listed on page 19. Contents of Preferred Equipment Packages are subject to change. For the latest information, consult your Ford Dealer.

Ford LTD Crown Victoria Sedan, Coupe and Wagons	Sedan/Coupe		Wagons		
	110A	111A	130A	131A	132A
Air conditioning (manual temperature control)	•	•	•	•	•
Tinted glass (complete)	•	•	•	•	•
Light Group	•	•	•	•	•
Right-hand remote control mirror	•	•	•	•	•
Speed control	•	•	•	•	•
WSW tires	•	•	•	•	•
Rocker panel moldings	•	•	•	•	•
Deluxe luggage rack			•	•	•
Front and rear bumper rub strips		•	•	•	•
Electronic digital clock		•	•	•	•
Rear window defroster*		•	•	•	•
Power Lock Group		•	•	•	•
6-Way power driver's seat		•	•	•	•
Tilt steering wheel		•	•	•	•
Power side windows		•	•	•	•
Interval windshield wipers		•	•	•	•
Heavy-duty battery					•
Cornering lamps					•
Color-keyed, carpeted floor mats					•
Vinyl insert bodyside moldings					•
Dual facing rear seats					•
Pivoting front vent windows					•
Locking wire-style wheel covers					•

Ford LTD Crown Victoria LX Sedan, Coupe and Wagons	Sedan/Coupe		Wagons
	112A	113A	133A
Air conditioning (manual temperature control)	•		
Air conditioning (automatic climate control)			•
Tinted glass (complete)	•	•	•
Dual electric remote-control mirrors	•	•	•
Speed control	•	•	•
P215/70Rx15 WSW tires	•	•	•
Rocker panel moldings	•	•	•
Front and rear bumper rub strips	•	•	•
Rear window defroster*	•	•	•
Power Lock Group	•	•	•
6-Way power driver's seat	•	•	•
Tilt steering wheel	•	•	•
Interval windshield wipers	•	•	•
Leather-wrapped steering wheel	•	•	•
Cornering lamps	•	•	•
Color-keyed, carpeted floor mats	•	•	•
Pivoting front vent windows	•	•	•
Locking wire-style wheel covers	•	•	•
Autolamp system			•
Illuminated entry system			•
Electronic AM/FM stereo seek/scan radio with cassette player		•	•
Power radio antenna		•	•
Premium sound system		•	•
Tripminder® computer		•	•
Vinyl insert bodyside moldings			•
Dual facing rear seats			•
Deluxe luggage rack			•
Heavy-duty battery			•

*Premium Sound System may be substituted in packages 111A, 112A, 131A and 132A.

FEATURES AND OPTIONS

Notable standard features and options for each LTD Crown Victoria series are listed on the facing page. In selecting the options you want, compare your choices with the Preferred Equipment Packages on page 17. You're likely to find that most of the equipment you want has already been conveniently included for you in a particular package. Options and their availability are subject to change during the year. Your Ford Dealer can advise you of current status.

Tripminder® computer

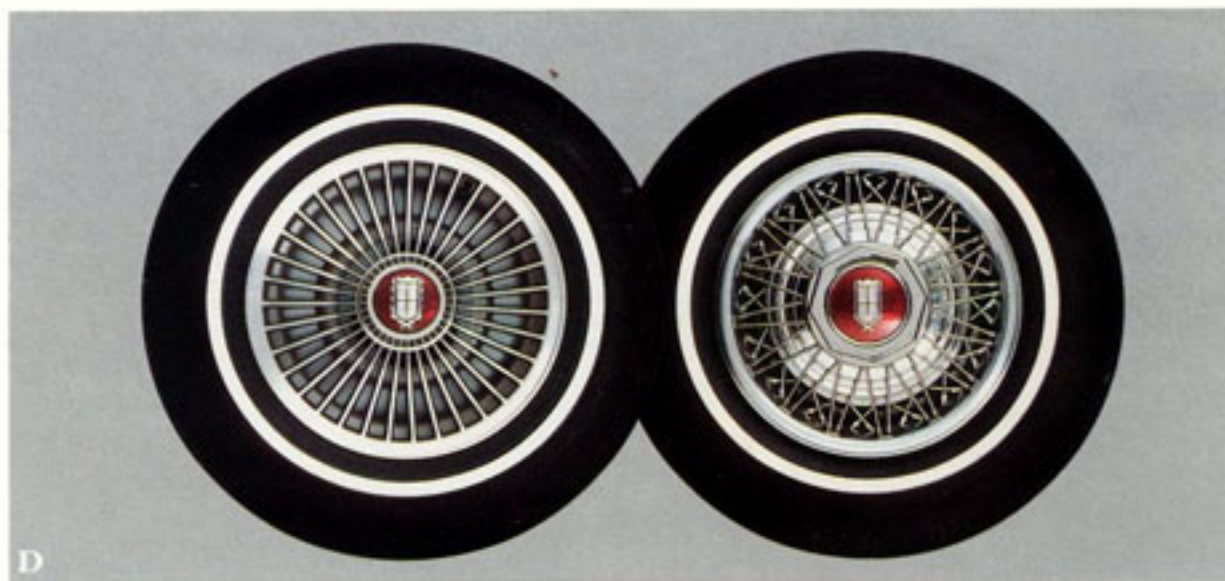
The Tripminder® computer option (shown at right) puts all kinds of travel information at your fingertips: Average trip speed, distance covered per gallon of fuel used, instantaneous fuel economy, and total fuel used. Also provided is the date, time, and elapsed trip time and distance. English or metric readout.

Premium Sound System

Enjoy the advantages of the Premium Sound System with any stereo radio. Six premium speakers surround you with sound, and the power amplifier boosts the wattage for top performance.

Convenience Group and Light Group

Choose either or both for those appreciated "extras." Convenience Group includes interval windshield wipers, remote-control electric decklid release (power tailgate lock on wagons), trip odometer, and low fuel and low oil level alert lights. The Light Group features a dual beam map light, "headlamps on" reminder chime, engine compartment light, and dual courtesy lights under the instrument panel.



Illustrated options: (A) Electronic AM/FM stereo radio with seek/scan and cassette tape player (requires Premium Sound System option) (B) Pivoting front vent windows (C) Tripminder® computer (D) Cast aluminum wheels, locking wire-style wheel covers (E) Tot-Guard (available at Ford Dealers)



Ford LTD Crown Victoria Features and Options

	Sedan/ Coupe	Wagon/ Country Squire	LX*
ENGINEERING			
5.0 liter V-8 engine with EFI	•	•	•
Automatic Overdrive transmission	•	•	•
Power steering	•	•	•
Power front disc/rear drum brakes	•	•	•
Gas-pressurized shock absorbers	•	•	•
Electronic voltage regulator	•	•	•
DuraSpark electronic ignition	•	•	•
"Super Luxury" sound insulation	•	•	•
Power ventilation	•	•	•
P205/75R15 steel-belted radial WSW tires	•	•	•
Three-way doorgate		•	
Power tailgate window		•	••
Heavy-duty rear brakes		•	••
EXTERIOR			
Padded rear half vinyl roof	•		(5)
Quad rectangular halogen headlamps	•	•	•
Front and rear bumper guards	•	•	•
Left-hand remote-control mirror	•	•	•
Vinyl insert bodyside moldings	•	(3)	•
Hood accent stripes	•	•	•
Decklid tape stripes	•	•	•
Bodyside accent stripes	•	(1)	•
Bright wheelip moldings	•	(1)	•
INTERIOR			
Flight bench front seat with dual recliners and fold-down center armrest	•	•	
Split bench front seats with dual recliners	•	•	•
Cloth seating surfaces	•	•	(2)
All-vinyl upholstery	•	•	(2)
Deluxe door trim, carpeted lower	•	•	
Luxury door trim with pull straps and full-length armrests			•
AM/FM stereo radio with four speakers (may be deleted for credit)	•	•	•
Quartz electric clock	•	•	•
Electronic digital clock	•	•	•
18-oz. luxury floor carpet	•	•	•
4-Spoke luxury steering wheel	•	•	•
Color-keyed deluxe belts with comfort regulator feature	•	•	•
Courtesy lights in glove box, front ashtray, trunk (Coupe/Sedan), cargo area (Wagons)	•	•	•
Automatic parking brake release	•	•	•
Power side windows	•	•	•
Light Group (see page 18)	•	•	•
ENTERTAINMENT SYSTEMS			
AM/FM stereo radio with cassette tape player	•	•	•
Electronic AM/FM stereo radio with seek/scan and cassette tape	•	•	•

	Sedan/ Coupe	Wagon/ Country Squire	LX*
Premium sound system (see page 18)	•	•	•
Power radio antenna	•	•	•
APPEARANCE			
Rocker panel moldings	•	•(3)	•(3)
Brougham roof treatment	•		•(4)
Two-tone paint with tape stripes	•		•(5)
COMFORT			
Air conditioning, manual	•	•	•
Air conditioning, automatic climate control	•	•	•
6-Way power driver's seat	•	•	•
Dual 6-way power seats	•	•	•
Leather-wrapped luxury steering wheel	•	•	•
Pivoting front vent windows	•	•	•
CONVENIENCE			
Autolamp system	•	•	•
Convenience group (see page 18)	•	•	•
Cornering lamps	•	•	•
Rear window defroster	•	•	•
Tinted glass, complete	•	•	•
Illuminated entry system	•	•	•
Power lock group (6)	•	•	•
Deluxe luggage rack		•	•••
Right-hand remote-control mirror	•	•	
Dual electric remote-control mirrors			•
Dual facing rear seats		•	•••
Speed control	•	•	•
Tilt steering wheel	•	•	•
Tripfinder® computer (see page 18)	•	•	•
Interval windshield wipers	•	•	•
PROTECTION			
Front license plate bracket	•	•	•
Front and rear bumper rub strips	•	•	•
Front and rear color-keyed, carpeted floor mats	•	•	•
WHEELS/WHEEL COVERS			
Locking wire-style wheel covers	•	•	•
Cast aluminum wheels	•	•	•
PERFORMANCE			
Traction-Lok axle	•	•	•
Heavy-duty battery	•	•	•
Conventional spare tire	•	•	•
Automatic load-leveling suspension	•	•	•
Handling suspension	•		•(4)
Heavy-duty suspension	•	•	•
Heavy-duty trailer towing package (see page 15)	•	•	•
California emissions system	•	•	•
High altitude emissions system	•	•	•

• = Standard ■ = Optional

* Available in 2-Dr. Coupe, 4-Dr. Sedan and Wagon/Country Squire models.
 ** With Wagons only. (1) Not available with Country Squire Wagon. (2) Luxury level trim: choice of velour cloth or supersoft vinyl. (3) Standard on LTD Crown Victoria Wagon. (4) Sedan only. (5) Sedan and Coupe only. (6) Includes power door locks, remote-control electric decklid release (sedan and coupe), power tailgate lock (wagons).

Colors & Trims

Interior Trim Colors					Exterior Paint Colors
Medium Grey	Canyon Red	Midnight Blue	Clove Brown	Sand Beige	
X	X	X		X	Black
X	X			X	Dark Grey Metallic
X	X	X	X		Silver Metallic
X	X	X			Light Grey
X	X			X	Midnight Canyon Red Metallic
X	X				Medium Shadow Blue Metallic
X	X				Spinnaker Blue
X	X				Dark Shadow Blue Metallic
		X	X	X	Medium Sand Beige
X		X	X	X	Sand Beige
		X	X		Dark Clove Brown Metallic
X	X	X	X	X	Oxford White
					Two-Tone Colors
X	X				Black/Dark Grey Metallic
X	X				Silver Metallic/ Dark Grey Metallic
					Dark Shadow Blue Metallic/ Medium Shadow Blue Metallic
X		X			Medium Sand Beige/ Sand Beige

Some of the paint and trim colors are shown in this catalog. On the printed page, of course, colors are at best only representative of the originals. Your Ford Dealer can show you actual samples of the paint colors and trim materials presented above as well as Two-Tone paint combinations. Ask also about paint and trim color availability with the following vinyl roof colors: Black, Medium Sand Beige, Shadow Blue, Light Grey, Midnight Canyon Red, Oxford White, Clove Brown.





Ford Motor Company strongly encourages all passengers to use their safety belts.

In all Ford cars, outboard front seat lap and shoulder belts have automatic retractors and comfort regulators. Outboard rear seat positions also have lap belts with retractors.

Ford urges the use of child and infant restraints, as required in all states. Ford's easy-to-install Tot-Guard (for children 20 to 50 pounds) and Infant Carrier (for children up to 20 pounds) are available at all Ford Dealers. If a child restraint requires a top-tether, Ford cars provide for attachment of an anchor at each rear outboard seating position.

Ford Lifeguard Design Safety Features

Vehicle operation

- Safety rim wheels and load-rated tires
- Split hydraulic brake system with warning light
- Corrosion-resistant brake lines
- Flash-to-pass headlamps
- Turn indicator with lane-changing signal feature
- Hazard warning flasher
- Backup lights
- Side marker lights
- Parking lamps coupled with headlamps

- High-mount brake lamp on package tray
- Two-speed windshield wipers
- Windshield washers
- Outside rearview mirror, driver's side
- Glare-reduced instrument panel, windshield wiper arms and windshield pillars
- Uniform transmission shift quadrant with safety switch
- Continuously variable control illumination intensity (instrument panel lighting)
- Safety hood latch system
- Function-rated windshield defroster system

Occupant protection

- Safety-designed front end structure
- Safety-designed roof structure
- Steel guard rails in side doors
- Double yoke safety door latches and safety hinges
- Integral lap and shoulder belts with automatic retractors for front outboard occupants



- Positive seat belt fastening reminder warning light and chime for the driver's seat
- Lap belts for center front and all rear seating positions with retractors for rear outboard occupants (lap belts with retractors included with optional dual facing rear seats)
- Energy-absorbing steering column and steering wheel system
- Energy-absorbing armrests and safety-designed door handles
- Energy-absorbing instrument panel with padding for right and center front passengers
- Energy-absorbing sun visors
- Energy-absorbing front seat back tops
- Self-locking front seat back latches on 2-doors
- Head restraints for front outboard occupants
- Safety glove box latch
- Inside yieldaway rearview mirror
- Impact-absorbing laminated safety glass windshield
- Flame resistant interior materials
- Safety-designed coat hooks
- Safety-designed radio control knobs and push buttons

Special quality steps: Corrosion protection

Ford takes tough measures to protect its cars against the damaging effects of corrosion. Galvanized steel is used for important underbody and structural parts. Pre-coated steel, featuring corrosion inhibitors, is also used in major body panels. Special treatments are applied to selected areas of the body structure.

Scheduled maintenance

Here are some examples of scheduled maintenance intervals for the 1986 Ford LTD Crown Victoria. For complete maintenance recommendations, refer to the LTD Crown Victoria Owner Guide.

Engine oil change	each 7,500 miles
Spark plug change	each 30,000 miles
Air filter replacement	each 30,000 miles
Engine coolant replacement	each 30,000 miles or 3 years

"Ask your Ford Dealer"

Following publication of this catalog, certain changes in standard equipment, options, prices and the like, or product delays, may have occurred which would not be included in these pages. Your Ford Dealer is your best source for up-to-date information.

SAFETY AND OWNER INFORMATION

Measurements

	Sedan/ Coupe	Wagon
Wheelbase	114.3"	114.3"
Length	211.0"	215.0"
Height	55.3"*	56.8"
Width	77.5"	79.3"
Tread: front	62.2"	62.2"
Tread: rear	62.0"	62.0"
Trunk capacity or cargo volume index (cu. ft.)	22.4**	88.2†
Fuel capacity (gal.)	18.0	18.0
Curb weight (lb.)	3,708††	3,937
Passenger capacity	6	6#

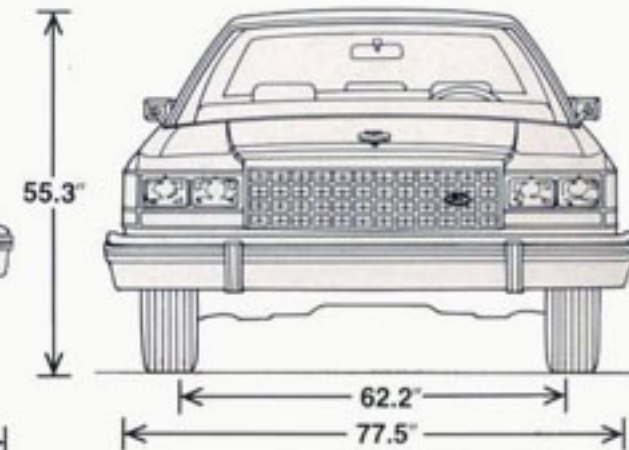
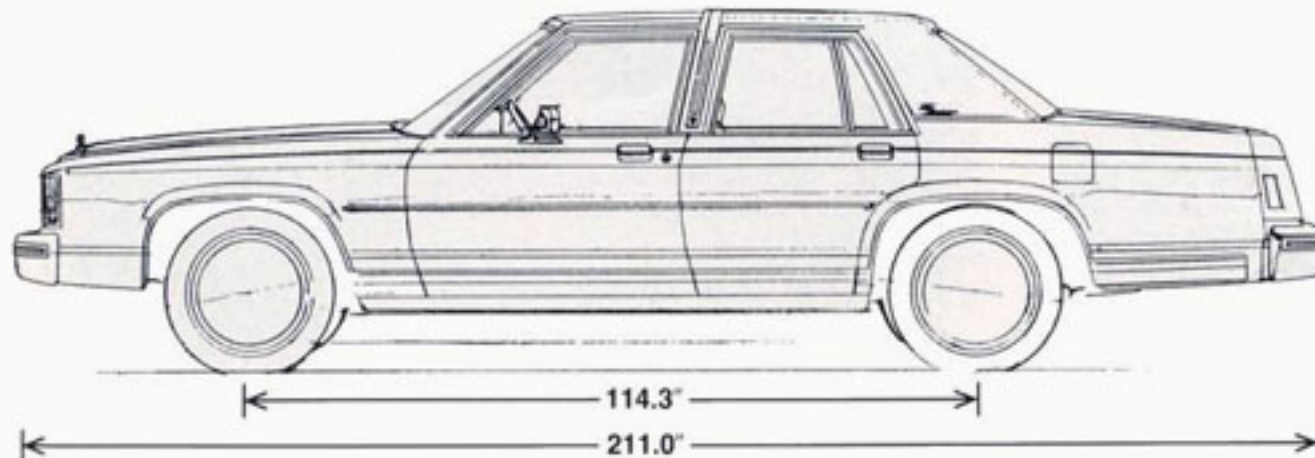
*55.2" for 2-Door. **With standard mini-spare tire. †Plus 9.9 cu. ft. in a lockable storage compartment beneath the load floor (5.7 cu. ft. with dual facing rear seats, 7.7 cu. ft. with cushions removed) and 2.0 cu. ft. in a lockable side storage compartment. ††3,748 for 4-Door. #Eight with optional dual facing rear seats.

5-mile-an-hour bumpers

Bumpers on Ford LTD Crown Victoria are designed to protect lamps, cooling system, exhaust and other body components in the event of a minor impact. While some manufacturers equip their cars with bumpers that just meet the 2½ mph federal standards, Ford equips LTD Crown Victoria and every other car it makes with bumpers designed to absorb impacts of 5-mph.



Participating Ford Dealers are now offering the Lifetime Service Guarantee, which guarantees their work on your Ford vehicle for as long as you own it. This means that the covered repair is paid for once — and never again. If it ever has to be fixed again, the repairing dealer will fix it free.



Free parts. Free labor. Even if the car is kept a lifetime. It doesn't matter where it was purchased, or whether it's new or used; the work is still covered by the repairing dealer.

This limited warranty covers vehicles in normal use. Items not covered are routine maintenance parts, belts, hoses, sheet metal, and upholstery. Ask to see this guarantee when you visit your participating Ford Dealer.



The optional Ford Extended Service Plan covers major components on new Ford cars and light trucks for longer than the vehicle's basic warranty. The cost of this added protection is so moderate that it could pay for itself the first time you need it. Your Ford Dealer has full details.



Genuine Ford and Motorcraft original equipment replacement parts meet the same high standards as those installed in production. They are your best assurance of quality and long-term satisfaction.

Ford-paid repair programs after the warranty period

Sometimes Ford offers adjustment programs to pay all or part of the cost of certain repairs. These programs are intended to assist owners and are in addition to the warranty or to required recalls. Ask Ford or your dealer about such programs relating to your Ford or Lincoln-Mercury vehicle.

To get copies of any adjustment program for your vehicle or the vehicle of interest to you: Call Ford toll-free at 1-800-241-3673. Alaska/Hawaii call 1-800-241-3711 and in Georgia call 1-800-282-0959.

Or write Ford at:

Ford Customer Information System
Post Office Box 95427
Atlanta, Georgia 30347

We'll need your name and address; year, make and model vehicle, as well as engine size; and whether you have a manual or automatic transmission.

Technical service bulletins

All vehicles need repairs during their lifetime. Sometimes Ford issues technical service bulletins (TSBs) and easy-to-read explanations describing unusual engine or transmission conditions which may lead to costly repairs, the recommended repairs, and new repair procedures. Often a repair now can prevent a more serious repair later. Ask Ford or your dealer for any such TSBs and explanations relating to your Ford or Lincoln-Mercury vehicle.

To get copies of these technical service bulletins and explanations for your vehicle or the vehicle of interest to you: Call Ford toll-free at 1-800-241-3673. Alaska/Hawaii call 1-800-241-3711 and in Georgia call 1-800-282-0959.

Or write Ford at:

Ford Customer Information System
Post Office Box 95427
Atlanta, Georgia 30347

We'll need your name and address; year, make and model vehicle, as well as engine size; and whether you have a manual or automatic transmission.

Options availability

Options shown or described in this catalog are available at extra cost and may be offered only in combination with other options or subject to additional ordering requirements or limitations.

Product changes

Ford Division reserves the right to change product specifications at any time without incurring obligations.

Buy or lease a new Ford LTD Crown Victoria

Have you driven a Ford...lately?



FORD LTD
CROWN VICTORIA

