



2007 **RAM 3500 CHASSIS CAB**

IT MEANS BUSINESS

Bold, tough, dependable, in-your-face Dodge Ram heritage conquers new territory as it expands to the commercial chassis cabsegment with the introduction of the all-new 2007 Dodge Ram 3500 Chassis Cab.™

Check out the bold look and powerful performance of Dodge Ram 3500 Chassis Cab.

- Interior and Exterior Features
- Color Options
- Model Specifications
- Design & Technology



TOWING CAPACITY

Paul Bunyan had Babe to do his heavy work, but 20-foot blue oxen are hard to come by these days. So in turn, we give you a 2007 Ram Chassis Regular Cab work horse that can tow up to 16,600-pounds. Perfect for hauling extra equipment or materials to the worksite. Regular Cab's equipped with rear dual-wheel can tow up to 16,300-pounds. Whoa, Nelly!

CAPABILITY OVERVIEW

The job site is no place for the weak. That's why Dodge Heavy Duty Chassis Cab trucks are built to pull their weight—and the other guys' too, if needed. With the best-in-class rear frame steel strength, you can rest assured that all your hauling or upfit will be met.



VARIABLE GEOMETRY TURBO CHARGER

The variable geometry turbocharger (VGT) features a unique one piece sliding nozzle, which move continuously to vary the power of the turbine and the amount of air delivered to the engine. Cummins®'s unique design is the most reliable variable geometry turbocharger in the world

LOW COST OF OWNERSHIP

Purchasing an all-new Dodge Ram Chassis Cab is almost like putting money back in your pocket. Dodge trucks stand up to the rigors of everyday use thanks to their durable frame strength and powerful Cummins® diesel engine with best-in-class powertrain warranty for peace of mind. Best-in-class fuel capacity* also means fewer stops for gas and more time on the job.





FOUR REAL DOORS

Some jobs require more manpower, and the Dodge Ram Chassis Cab offers best-in-class passenger volume* (143.3 cubic feet of total cab volume) with boundless leg and cargo room plus seating for up to six adults and easy-access wide doors make getting in and out a breeze. And when extra seating isn't needed, just fold up the rear seats to get a convenient fold-flat load-floor area for your tool belt, work boots, toolbox, and anything else you want to keep within reach.



INTERIOR OVERVIEW

Arrive at the job site in comfort and style with Dodge Ram Heavy Duty Chassis Cabs. Whether it's a crew of two—or six—the all-new Dodge Ram Heavy Duty Chassis Cab is big enough for even the burliest crewmembers, thanks to its best-in-class interior space with full-size rear bench seat and roomy front bucket seats. Abundant storage space and innovative conveniences make the job a whole lot easier.



BEST-IN-CLASS BRAKE ROTOR SIZE

Rear disc brake rotors are 1.18 inches (30 mm) thick. This directly impacts brake effectiveness, as well as the life of the pads and rotors. Rear rotor diameter is 13.87-inches (352.3 mm)—sufficient to enhance the brakes' ability to dissipate heat during high-speed stops and repeated use.

AVAILABLE EXTERIOR COLORS



WHEELS



- A. 17-INCH STEEL WHEELS (STANDARD ON SLT)
- B. 17-INCH ALUMINUM WHEELS (STANDARD ON LARAMIE, AVAILABLE ON SLT)
- C. 17-INCH CHROME-PLATED STAINLESS STEEL WHEELS
- D. 17-INCH POLISHED FORGED-ALUMINUM WHEELS (AVAILABLE ON SLT)
- E. 17-INCH ARGENT STEEL WHEEL SKINS
- F. 17-INCH CHROME WHEEL SKINS

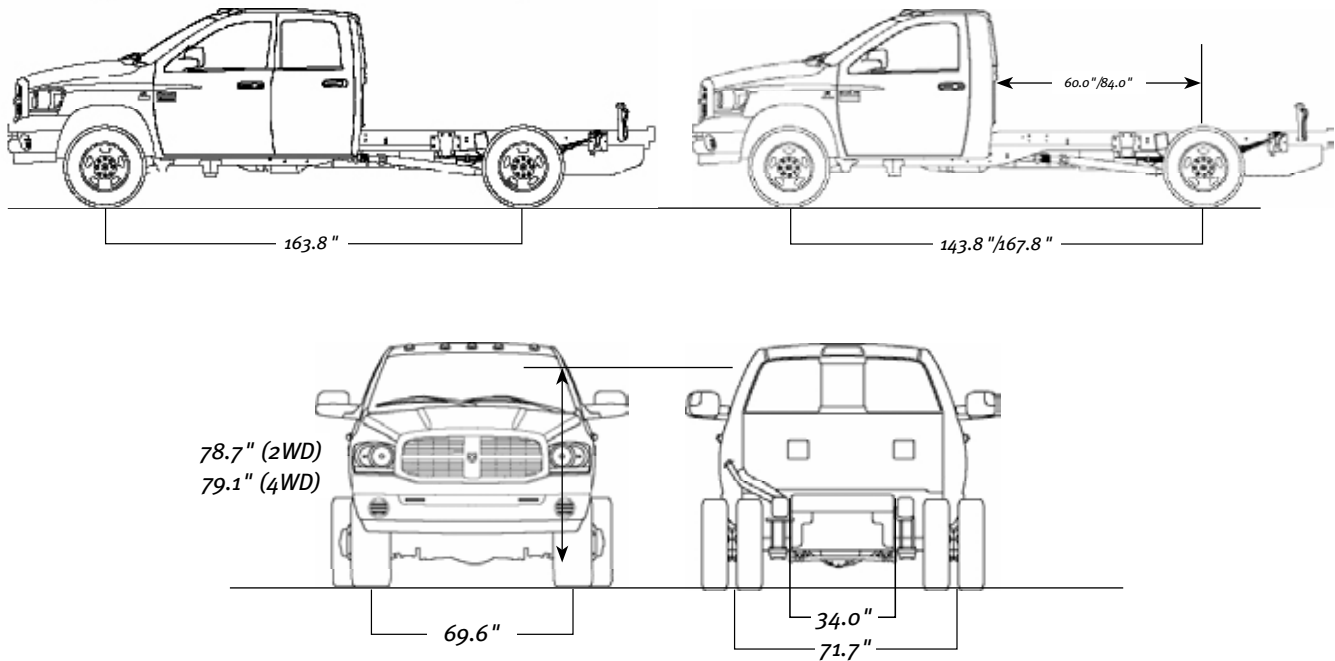
INTERIORS



MEDIUM SLATE GRAY



MEDIUM KHAKI



APPLICATIONS	Ram Chassis Cab was designed for almost any commercial application, including platform; stake body; utility body; dry box; flat bed; dump/hydraulic use; wrecker/towing; emergency medical and fire unit, etc.			
POWER AND OUTPUT	5.7-liter HEMI® standard. 330 hp, 375 lb-ft of torque			
	6.7-liter Cummins® Turbo Diesel, available. 305 hp, 610 lb-ft of torque			
TRANSMISSIONS	Manual 6-speed G56 with PTO capability. Standard with both engines			
	Automatic 6-speed Aisin with PTO capability. Available only with 6.7-liter Cummins			
	Automatic 5-speed 545RFE. Available only with the 5.7-liter HEMI V8			
WHEELBASES	Regular Cab – 143.8" (60" CA) SRW/DRW; 167.8" (84" CA) DRW only Quad Cab® – 163.8" (60" CA) SRW/DRW			
4x4 SYSTEMS	Manual-shift part-time 4x4, standard Electric-shift part-time 4x4, available			
GVWR/CAB TO AXLE (CA)	MODEL	REAR WHEELS	GVWR (lb)	CA (in)
	Regular Cab	Single (SRW)	10,200	60
	Quad Cab	Single (SRW)	10,200	60
	Regular Cab	Dual (DRW)	12,500	60/84
	Quad Cab	Dual (DRW)	12,500	60
GAWR	All models, front axle – 5,200 lb; SRW models, rear axle – 6,200 lb; DRW models, rear axle – 9,350 lb			
GCWR	HEMI – 17,000 lb; Cummins – 23,000 lb			
PAYLOAD/TOWING*	Up to 6,700 lb ¹ /Up to 16,500 lb [†]			
FRAME RAIL SPACING	34" spacing, one-piece, 50,000-psi C-channel with flat rail design			
FUEL SYSTEM CAPACITIES	52-gallon, standard; 22-gallon, available			

*Actual production weights may vary. [†]When properly equipped.