

2008 CHRYSLER
PACIFICA



CHRYSLER



ENGINEERED BEAUTIFULLY

It is a place where engineering and beauty come together. It embodies a convergence of craftsmanship with technology and functionality with design. Built to entice with every drive in the most natural of manners, it represents a passion for ingenious engineering and stunning style. Engineered beautifully, this is a vehicle unlike any other.

THIS IS THE CHRYSLER PACIFICA.



**THE 2008 CHRYSLER PACIFICA INCLUDES
A LIFETIME POWERTRAIN LIMITED WARRANTY.**



No deductible. See dealer for a copy of limited warranty and details.
Non-Transferable. Not available on certain fleet vehicles.



Pacifica FWD Limited in Brilliant Black Crystal Pearl

LIMITED

Pacifica Limited defines luxury in a crossover vehicle by intelligently combining the ride and comfort of a fine automobile with the capability of six-passenger seating and ample cargo room. For elevated performance, a strong 4.0-liter 253-hp V6 engine has been coupled to a six-speed AutoStick® transmission. An already impressive exterior is dramatically enhanced with a monochromatic color palette and 19-inch chrome-clad aluminum wheels. The standard five-link rear suspension and precise variable-assist rack-and-pinion steering provide agile handling. Of course, no true crossover vehicle would be complete without an additional sense of security. So every Pacifica model offers a standard Electronic Stability Program (ESP).*

*No system, no matter how sophisticated, can repeal the laws of physics or overcome careless driving actions. Performance is limited by available traction, which snow, ice and other conditions can affect. When the ESP warning lamp in the speedometer flashes, the driver needs to use less throttle and adapt speed and driving behavior to prevailing road conditions. Always drive carefully, consistent with conditions. Always wear seat belts.



Pacifica AWD Limited in Clearwater Blue Pearl



Take in the sunshine, fresh air, and inspiring views, courtesy of Pacifica Limited's standard moonroof. Power switches for the moonroof, liftgate, and HomeLink® system are located on the overhead console. What fun is a road trip if you cannot enjoy the view? So pick a destination. Whether you have the standard front-wheel drive (FWD) or the available all-wheel drive (AWD), Pacifica will take you to your destination in distinct style. Just pack the available Roof Box Cargo Carrier (shown), an Authentic Chrysler Accessory by Mopar, and go.



Pacifica Limited instrument panel

Pacifica Limited offers eucalyptus woodgrain accents on the steering wheel, shift knob, dashboard, and door panels. Its upscale comfort is equally conveyed by the technology found in the standard automatic dual zone temperature control, standard six-disc CD/DVD changer with MP3 capability, the available overhead DVD entertainment system with 8-inch video screen and available exclusive in-cluster navigation system* with ParkView® Rear Back-Up Camera.†

*Based on 2007 model year *Automotive News* segmentation. †Always check entire surroundings before backing up.



Pacifica Limited interior in Light Graystone tri-star natural grain leather trim with suede microfiber accents

Properly secure all cargo.

Inside Pacifica Limited you will instantly appreciate the refined comfort and style of first- and second-row heated bucket seats upholstered in leather trim and suede microfiber accents. Folding the second- and third-row seats creates an expansive flat-loading floor and transforms the interior from elegant, six-passenger seating to an upscale cargo-carrying machine. The Memory System stores two unique driver settings for the 10-way power driver's seat, exterior mirrors, power adjustable pedals, and radio presets.

*Leather-trimmed seats with suede microfiber accents for first and second rows.

TOURING

Pacifica Touring allows seating for six, thanks to a very generous interior with over 143 cubic feet of passenger room. True crossover flexibility comes from standard fold-flat second-row bucket seats, a 50/50 split-folding third-row bench seat, as well as 79.5 cubic feet of cargo space with second- and third-row seats folded. YES Essentials® stain resistant, odor resistant, antistatic seat fabric* or available first- and second-row leather-trimmed seats; standard automatic dual zone temperature control, and CD player with seven ∞Infinity® speakers are also some of its more exceptional features. The 4.0-liter engine with six-speed AutoStick® transmission gives you the choice of driving with the ease of an automatic or the hands-on fun of a clutchless manual transmission. Put that powertrain to use with 17-inch machine-finished aluminum wheels and P235/65R17 BSW all-season performance tires.

*Not compatible with aftermarket fabric-protecting coatings. Go to yesessentials.com for care details.



Pacifica Touring in Deep Crimson Pearl



The driver's door panel switches in Pacifica Touring operate the standard 10-way power driver's seat, optional heated seats, optional power adjustable pedals with memory, and available Memory System controls. Your front passenger can enjoy their own favorite seating position with the standard four-way power front-passenger seat. While backing up, the driver can monitor what is behind the vehicle, because Chrysler Pacifica is the only vehicle in its class with an available in-cluster navigation system and ParkView® Rear Back-Up Camera.*†

*Based on 2007 *Automotive News* segmentation. †Always check entire surroundings before backing up.



Pacifica Touring in Light Sandstone Metallic

Life does not stop due to bad weather. The Electronic Stability Program (ESP)* is designed to assist drivers in maintaining control of their vehicles during extreme steering maneuvers. ESP senses when a vehicle is starting to spin (oversteer) or plow (understeer) and attempts to correct the vehicle's course by automatically controlling the throttle and applying the brakes to individual wheels.

*No system, no matter how sophisticated, can repeal the laws of physics or overcome careless driving actions. Performance is limited by available traction, which snow, ice and other conditions can affect. When the ESP warning lamp in the speedometer flashes, the driver needs to use less throttle and adapt speed and driving behavior to prevailing road conditions. Always drive carefully, consistent with conditions. Always wear seat belts.

LX

With its outstanding level of standard equipment, Chrysler Pacifica LX is a great example of value in a true crossover vehicle. Standard five-passenger cloth seating with YES Essentials® stain resistant, odor resistant, antistatic seat fabric,* a split-folding second-row bench seat with a cavernous 92.2 cubic feet of cargo space with bench folded, facilitate easy cargo- or passenger-carrying capabilities. A 200 horsepower 3.8-liter V6 engine on FWD and 4.0-liter engine on AWD get you off and running, while the independent suspension provides a smooth, exceptionally quiet ride, even in inclement weather and on rough roads, thanks to the standard ESP† and the available all-wheel-drive system. In short, Chrysler Pacifica LX has it all in one stylish, value-rich package.

*Not compatible with aftermarket fabric-protecting coatings. Go to yesessentials.com for care details. †No system, no matter how sophisticated, can repeal the laws of physics or overcome careless driving actions. Performance is limited by available traction, which snow, ice and other conditions can affect. When the ESP warning lamp in the speedometer flashes, the driver needs to use less throttle and adapt speed and driving behavior to prevailing road conditions. Always drive carefully, consistent with conditions. Always wear seat belts.



Pacifica LX in Modern Blue Pearl



A spilled beverage or children with sticky, candy-coated fingers will never be a welcome sight in your vehicle, but now you have reason to panic less about these situations. LX cloth seating comes standard with YES Essentials® stain resistant, odor resistant, antistatic seat fabric.* On those days when you find yourself passenger-free, fold down the 65/35 split-folding, second-row bench seat and load up anything from skis and antiques to gardening supplies.



Activated from your key, an available power liftgate creates immediate access to an immense flat-loading cargo space. A carpeted rear storage bin, standard on Limited and Touring, allows you to store items under the load floor. A Molded Cargo Tray, an Authentic Chrysler Accessory by Mopar, is also available to protect your cargo carpeting. For traveling (and personal) entertainment, Pacifica offers an available multiformat in-dash six-disc CD/DVD changer with MP3 capabilities and a choice of available DVD entertainment systems with 8-inch LCD screen, a remote control, and available wireless headphones.

STORAGE

In Limited and Touring with seating for six, you can fold the third-row seat and still have room for four while enjoying 43.6 cubic feet of cargo space. With the second and third rows folded down, capacity expands to 79.5 cubic feet of cargo room. On LX with seating for five, you can fold the second-row bench seat, still have room for two, and benefit from 92.2 cubic feet of cargo space. On top of this flexibility, a host of thoughtful storage features help keep the cabin neat, organized, and clutter-free.

- ▶ The **full-length, first-row center console** has integrated dual cup holders and copious storage for mobile phones, sunglasses, CDs, and more. A **second-row console**, standard on Limited and Touring, includes dual cup holders, covered storage, and heating/cooling vents that the third-row passengers can adjust for their comfort.
- ▶ Standard on Limited and Touring models, an **overhead console** includes switches for the available power moonroof, power liftgate and HomeLink® system.

ENTERTAINMENT

When it comes to in-vehicle entertainment, Pacifica has several outstanding available features that will make any trip more pleasurable.

- ▶ **SIRIUS Satellite Radio*** delivers over 130 channels, including 100% commercial-free music, sports, news, talk, entertainment, traffic, and weather. Factory-installed SIRIUS Satellite Radio includes a one-year subscription. For more information, go to sirius.com.
- ▶ **∞Infinity® Intermezzo™** Digital 5.1 Surround Sound system includes eight speakers with subwoofer for exceptional audio performance. Optional on Limited and Touring models.
- ▶ The multiformat in-dash **six-disc CD/DVD changer with MP3 capabilities** is operated through the radio and steering wheel-mounted controls. Input jacks for video devices, game consoles and an MP3 player are included. Standard on Limited and optional on Touring.
- ▶ **iPod® Integration Kit**, an Authentic Chrysler Accessory by Mopar, creates a true physical connection between an iPod and your vehicle's system. This means you can listen to your favorite iPod playlists — without the static or fading — with optimum digital audio quality. The kit also mounts safely and securely inside your glove box, keeping your dash clean and wire-free.

*SIRIUS® and the SIRIUS dog logo are registered trademarks of SIRIUS Satellite Radio, Inc. All other trademarks, service marks and logos are the property of their respective owners. All rights reserved. For full terms and conditions, visit sirius.com. Prices and programming are subject to change. Not available in AK and HI.

SAFETY AND SECURITY

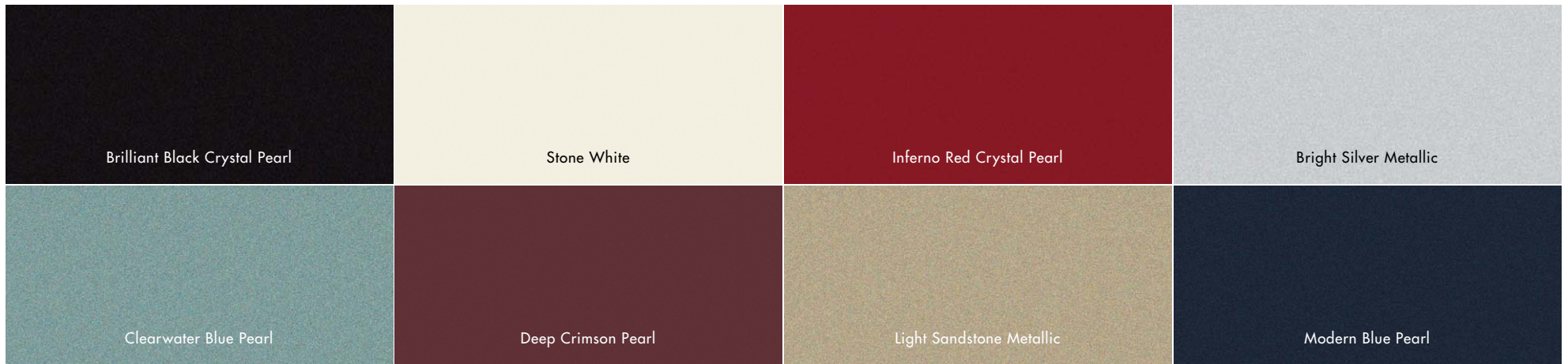
Chrysler Pacifica utilizes a combination of active and passive safety and security technologies to maximize the well-being of driver and passengers alike.

- ▶ **Advanced multistage driver and front-passenger air bags*** inflate with a force that is appropriate to the impact, and the driver-side inflatable knee blocker helps to increase driver's upper-leg protection.
- ▶ **Supplemental side-curtain air bags*** are standard, to extend the level of protection to outboard passengers in all rows.
- ▶ Available **all-wheel drive** delivers the pulling power of front-wheel drive and the pushing power of rear-wheel drive for superior traction control and cornering.
- ▶ Standard **four-wheel disc antilock brake system (ABS)** and **Brake Assist** maintain stability in extreme braking situations.
- ▶ Standard **Electronic Stability Program (ESP)[†]** with all-speed traction control helps the driver maintain control of the vehicle during extreme steering maneuvers.
- ▶ The **rigid body structure** provides outstanding bending and torsional stiffness, isolating noise and vibration for a quieter ride while offering more protection in a collision.
- ▶ Available **UConnect[®]** is a voice-activated, hands-free, in-vehicle communication system. UConnect allows you to dial your cell phone through simple voice commands. All that is required is a **Bluetooth[®]** Hands-Free Profile cellular phone from any wireless carrier.
- ▶ Intrusion-resistant **SecureShield[®] laminated side window glass** contributes to a quieter cabin and is exclusive standard equipment on Limited.
- ▶ A standard **Tire Pressure Monitoring System** continuously checks air pressure in the tires and sends a warning when appropriate.



*Always sit properly in the seat with the seat belt fastened. Children 12 and under should always be in a backseat correctly using an infant or child restraint system or the seat belt positioned correctly for the child's age and weight. [†]No system, no matter how sophisticated, can repeal the laws of physics or overcome careless driving actions. Performance is limited by available traction, which snow, ice and other conditions can affect. When the ESP warning lamp in the speedometer flashes, the driver needs to use less throttle and adapt speed and driving behavior to prevailing road conditions. Always drive carefully, consistent with conditions. Always wear seat belts. [‡]Always check entire surroundings before backing up.

Pacifica's level of protection is the sum of its systems working together. Standard advanced multistage front air bags* with a driver-side inflatable knee blocker, and standard supplemental side-curtain air bags* offer additional protection in the event of a collision. An available ParkSense[®] Rear Park Assist System[‡]; available ParkView[®] Rear Back-Up Camera[‡]; available power adjustable pedals, and standard Tire Pressure Monitoring System warning lamp extend additional protection and security to Pacifica.



EXTERIOR COLORS

	Brilliant Black Crystal Pearl	Stone White	Inferno Red Crystal Pearl	Bright Silver Metallic	Clearwater Blue Pearl	Deep Crimson Pearl	Light Sandstone Metallic	Modern Blue Pearl
Limited*	1,2			1	1	1,2	2	
Touring*†	3,4,5,6	3,4,5,6	3,4,5,6	3,5	3,5	3,4,5,6	4,6	3,4,5,6
LX‡		3,7	3,7	3,7	3,7			3,7

*Leather-trimmed for first and second rows. †Leather-trimmed first and second row is optional on Touring FWD; standard on Touring AWD. ‡Leather trim is optional on LX. §Not compatible with aftermarket fabric-protecting coatings. Go to yesessentials.com for care details.

INTERIOR COLORS



WHEELS



A
19-inch
chrome-clad wheel



B
17-inch machine-finished
aluminum wheel

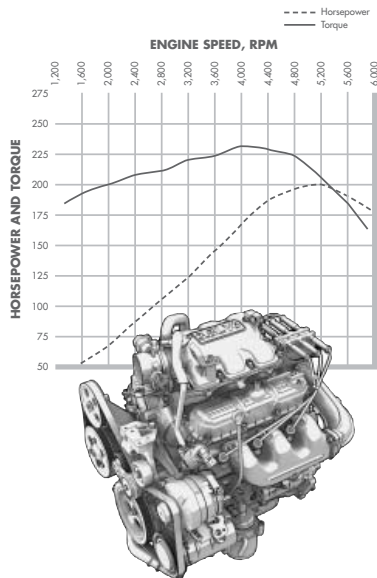


C
17-inch bolt-on
wheel cover

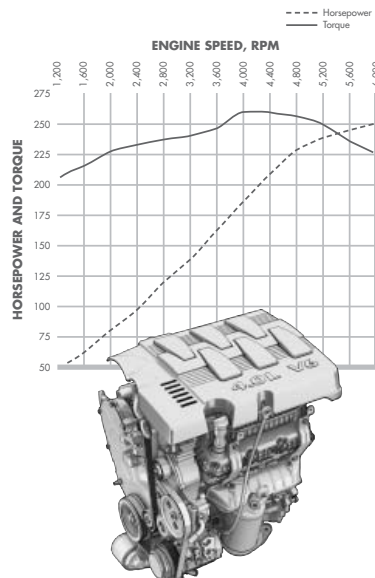
	A	B	C
Pacifica Limited FWD/AWD	S/S		
Pacifica Touring FWD/AWD		S/S	
Pacifica LX FWD/AWD		O/O	S/S

S = Standard. O = Optional.

ENGINES

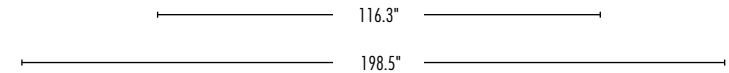
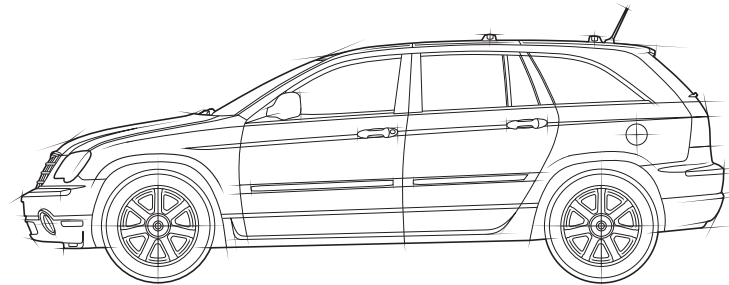
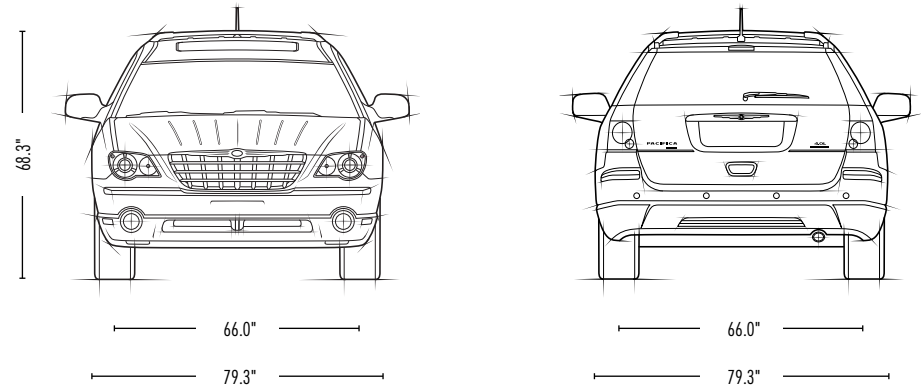


3.8-LITER OHV 12V V6
201 horsepower @ 5,000 rpm;
235 lb-ft of torque @ 4,000 rpm



4.0-LITER SOHC V6
253 horsepower @ 6,000 rpm;
262 lb-ft of torque @ 4,100 rpm

DIMENSIONS



	LX				Touring				Limited	
	FWD	FWD	AWD	AWD	FWD	FWD	AWD	AWD	FWD	AWD
ENGINE/TRANSAXLE										
3.8L OHV V6/4-speed AutoStick®	28H	28L								
4.0L SOHC V6/6-speed AutoStick			29H	29L	29S	29T	29S	29T	29X	29X
MECHANICAL										
Brakes — 4-wheel disc antilock	S	S	S	S	S	S	S	S	S	S
Engine Block Heater	0	0	0	0	0	0	0	0	0	0
Speed Control — Electronic with steering wheel-mounted controls	S	S	S	S	S	S	S	S	S	S
Suspension — Independent, performance-tuned; front, MacPherson; rear, 5-link, load-leveling	S	S	S	S	S	S	S	S	S	S
EXTERIOR FEATURES										
Cladding — Lower bodyside, accent-color	S	S	S	S	S	S	S	S		
— Lower bodyside, body-color									S	S
Door Handles — Black	S	S	S	S						
— Body-color					S	S	S	S	S	S
Exhaust Tip — Single	S	S	S	S	S	S	S	S	S	S
Fascias — Accent-color	S	S	S	S						
— Accent/body-color					S	S	S	S		
— Body-color with bright insert									S	S
Glass — Laminated SecureShield® side window									S	S
Headlamps — Halogen, dual reflector with off-time delay	S	S	S	S	S	S	S	S	S	S
— Automatic					S	S	S	S	S	S
— High Intensity Discharge (HID)									0	0
— Fog lamps, front					S	S	S	S	S	S
Liftgate — Power, includes overhead console, integrated key button controls and Obstacle Detection System ⁽¹⁾					0	S	0	S	S	S
Mirrors — Power, folding, black	S	S	S	S						
— Power heated, folding, black					S	S	S	S		
— Power heated, folding, body-color with driver-side auto-dimming (packaged with Comfort/Convenience Group)							P		P	S
Moonroof — Power with sunshade					0	0	0	0	S	S
Roof Rack — Black integrated side rails	S	S	S	S	S	S	S	S	S	S
— Adjustable cross bars (included in Cargo Convenience Group)	P	S	P	S	P	S	P	S	S	S
Tires — P235/65R17 BSW all-season	S	S	S	S						
— P235/65R17 BSW all-season performance					S	S	S	S		
— P235/55R19 BSW all-season performance (included with 19" wheels)							P		P	S
— Compact spare	S	S	S	S	S	S	S	S	S	S
Wheels — 17" steel with painted wheel cover	S	S								
— 17" machine-finished aluminum (included in Leather Value Group)	0	S	0	S	S	S	S	S		
— 19" aluminum, chrome-clad							0	0	S	S
Windows — Power with one-touch down on all and one-touch up on front	S	S	S	S	S	S	S	S	S	S
INTERIOR FEATURES										
Air Conditioning — Manual dual zone temperature control	S	S	S	S						
— Automatic dual zone temperature control with infrared sensor and outside temperature display					S	S	S	S	S	S
Cargo Net — (Included in Cargo Convenience Group)	P	S	P	S	P	S	P	S	S	S
Consoles — Overhead with map lamps	S	S	S	S						
— Overhead: with map lamps, moonroof and power liftgate controls (if equipped) and HomeLink® Universal Transceiver					S	S	S	S	S	S
— Floor 1st-row: storage compartment, front cup holders, power outlet and rear HVAC vents	S	S	S	S						
— Floor 1st- and 2nd-row: storage compartment, front/rear cup holders, power outlet, rear HVAC vents and airflow controls					S	S	S	S	S	S
Defroster — Electric rear window	S	S	S	S	S	S	S	S	S	S

	LX				Touring				Limited	
	FWD	FWD	AWD	AWD	FWD	FWD	AWD	AWD	FWD	AWD
INTERIOR FEATURES (CONTINUED)										
Door Locks — Power	S	S	S	S	S	S	S	S	S	S
Electronic Vehicle Information Control (EVIC) — Driver interactive display located in instrument cluster					S	S	S	S	S	S
Floor Mats — 1st- and 2nd-row	0	S	0	S	S	S	S	S	S	S
HomeLink® Universal Transceiver — Programmable, 3-function with remote control for garage door opener, interior/exterior home lighting or security devices					S	S	S	S	S	S
Lighting — Front-door courtesy/map	S	S	S	S	S	S	S	S	S	S
— Liftgate flood lamp	S	S	S	S	S	S	S	S	S	S
Memory System — Controls driver's seat, radio presets and power adjustable pedal positions, power exterior mirror (if equipped) — for 2 drivers (included in Comfort/Convenience Group)						P		P	S	S
Mirrors — Rearview, day/night	S	S	S	S						
— Rearview mirror with auto-dimming					S	S	S	S	S	S
— Rearview mirror with auto-dimming and UConnect® buttons						P		P	P	P
— Dual covered vanity	S	S	S	S						
— Dual illuminated vanity					S	S	S	S	S	S
Navigation System with GPS — Integrated in-cluster map display (included in Navigation/Rear Back-Up Camera Group)						P		P	P	P
Power Accessory — 12V power outlet two front, one center, one rear	S	S	S	S	S	S	S	S	S	S
Remote Keyless/Illuminated Entry System — Includes two transmitters	S	S	S	S	S	S	S	S	S	S
Shift Knob — Urethane	S	S								
— Leather-wrapped		S			S	S	S	S		
— Leather-wrapped with wood accents									S	S
Steering Column — Tilt, manual	S	S	S	S	S	S	S	S	S	S
Steering Wheel — Urethane	S	S								
— Leather-wrapped		S			S	S	S	S		
— Leather-wrapped with genuine wood accents									S	S
— Steering wheel-mounted audio controls	S	S	S	S	S	S	S	S	S	S
Storage — Carpeted, covered bin under rear cargo floor					S	S	S	S	S	S
Tonneau Cover — (Included in Cargo Convenience Group)	P	S	P	S	P	S	P	S	S	S
SEATING										
Seats — Cloth with YES Essentials® Seat Fabric ⁽²⁾ 1st-row; 65/35 2nd-row	S		S							
— Premium cloth with YES Essentials® Seat Fabric ⁽²⁾ 1st-row; fold-flat 2nd-row and 50/50 split-folding 3rd-row					S		S			
— Leather-trimmed 1st-row; leather-trimmed 65/35 2nd-row	S		S							
— Leather-trimmed 1st- and 2nd-row; 50/50 split-folding 3rd-row					S		S			
— Luxury leather and suede microfiber trimmed 1st- and 2nd-row; 50/50 split-folding 3rd-row									S	S
— 8-way power driver's and 4-way power front-passenger	S		S							
— 10-way power driver's and 4-way power front-passenger		S			S	S	S	S	S	S
— Heated 1st-row		S			S		S	S	S	S
— Heated 2nd-row							S		S	S
ENTERTAINMENT SYSTEMS										
Radio — AM/FM radio with single-disc CD player and changer controls	S		S							
— AM/FM radio with single-disc CD/DVD video/audio with MP3 capability (included with Entertainment Group I)	P	S	P	S	S	S	S	S	S	S
— In-dash 6-disc CD/DVD changer					0	S	0	S	S	S
SIRIUS Satellite Radio ⁽³⁾ — Includes one-year subscription provided by SIRIUS (available in Canada and U.S., excludes Alaska and Hawaii)					S	S	S	S	S	S
Sound Systems — 6 speakers	S	S	S	S						
— 7 ∞ Infinity® speakers, 200-watt amplifier					S	S	S	S	S	S
— 385-watt ∞ Infinity Intermzzo™ Digital 5.1 Surround Sound system with 8 speakers, including an 8" subwoofer							0		0	0

	LX				Touring				Limited	
	FWD	FWD	AWD	AWD	FWD	FWD	AWD	AWD	FWD	AWD
SAFETY AND SECURITY										
Air Bags⁽⁴⁾ — Advanced multistage driver and front-passenger	S	S	S	S	S	S	S	S	S	S
— Side-curtain for outboard occupants in all seating rows	S	S	S	S	S	S	S	S	S	S
— Driver-side inflatable knee blocker	S	S	S	S	S	S	S	S	S	S
Brake Assist	S	S	S	S	S	S	S	S	S	S
Child Seat Anchor System (LATCH) — Lower child seat anchors and upper tether anchors help ease the installation of compatible aftermarket child seats	S	S	S	S	S	S	S	S	S	S
Electronic Stability Program⁽⁵⁾ — Includes all-speed traction control	S	S	S	S	S	S	S	S	S	S
ParkSense[®] Rear Park Assist System⁽⁶⁾ — (Included in Rear Back-Up Camera Group)	0	0	0	0	P	S	P	S	S	S
ParkView[®] Rear Back-Up Camera⁽⁶⁾ — (Included with Rear Back-Up Camera Group and Navigation/Rear Back-Up Camera Group)					P	P	P	P	P	P
Pedals — Power adjustable with memory (included in Comfort/Convenience Group)						P		P	S	S
Seat Belts — Height-adjustable 3-point driver and front-passenger with traveling buckles, seat belt pretensioners, 3-point lap/shoulder at all rear seat positions	S	S	S	S	S	S	S	S	S	S
Security Alarm	S	S	S	S	S	S	S	S	S	S
Sentry Key[®] — Antitheft engine immobilizer	S	S	S	S	S	S	S	S	S	S
Tire Pressure Monitoring System — Indicates low pressure with warning light	S	S	S	S	S	S	S	S	S	S
— Monitoring display with lamp and message in cluster						S		S	S	S
UConnect[®] Hands-Free Communication System⁽⁷⁾ — Requires power liftgate (includes auto-dimming mirror with control buttons)						0		0	0	0
PACKAGES										
Cargo Convenience Group — Includes rear cargo net, tonneau cover, roof rack crossbars and rear fascia scuff pad	0	S	0	S	0	S	0	S		
Comfort/Convenience Group — Power adjustable pedals, power heated body-color mirrors, auto-dimming exterior driver-side mirror, and driver's memory feature for radio, seat, mirrors and power adjustable pedals						0		0		
Entertainment Group I — 2nd-row overhead 8" video screen, video remote control and AM/FM/CD/DVD video/MP3 audio radio	0	0	0	0						
Entertainment Group II — 2nd-row overhead 8" video screen, video remote control, wireless headphones (must have power liftgate)					0	0	0	0	0	0
Navigation/Rear Back-Up Camera Group — Includes navigation system with GPS, ParkView Rear Back-Up Camera, instrument cluster with display screen (requires ParkSense Rear Park Assist System)						0		0	0	0
Rear Back-Up Camera Group — Includes instrument cluster with display screen, ParkSense Rear Park Assist System, ParkView Rear Back-Up Camera and rear fascia scuff pad (scuff pad not available on Limited)					0	0	0	0	0	0
Smoker's Group — Includes ashtray and cigar lighter	0	0	0	0	0	0	0	0	0	0

S = Standard. P = Included in package noted in parentheses. 0 = Optional.

⁽¹⁾ Detects most obstacles. As with all electronically controlled systems, care is advised.

⁽²⁾ Not compatible with aftermarket fabric-protecting coatings.

⁽³⁾ "SIRIUS" and the SIRIUS dog logo are registered trademarks of SIRIUS Satellite Radio, Inc. All other trademarks, service marks and logos are the property of their respective owners. All rights reserved. For full terms and conditions, visit sirius.com.

Prices and programming are subject to change. Not available in Alaska and Hawaii.

⁽⁴⁾ Always sit properly in the seat with the seat belt fastened. Children 12 and under should always be in a backseat correctly using an infant or child restraint system or the seat belt positioned correctly for the child's age and weight.

⁽⁵⁾ No system, no matter how sophisticated, can repeal the laws of physics or overcome careless driving actions. Performance is limited by available traction, which snow, ice and other conditions can affect. When the ESP warning lamp in the speedometer flashes, the driver needs to use less throttle and adapt speed and driving behavior to prevailing road conditions. Always drive carefully, consistent with conditions. Always wear seat belts.

⁽⁶⁾ Always check entire surroundings before backing up.

⁽⁷⁾ Requires Bluetooth[®] enabled mobile phone.

Bluetooth is a registered trademark of Bluetooth SIG Inc. Infinity is a registered trademark and Intermzzo is a trademark of Harman International Industries, Inc. HomeLink is a registered trademark owned by Johnson Controls, Inc. iPod is a registered trademark of Apple Inc. Mopar, Pacifica, ParkSense, ParkView, SecureShield, Sentry Key and UConnect are registered trademarks of Chrysler LLC. YES Essentials is a registered trademark of Miliken & Company.

	LX FWD		LX AWD/ Touring/Limited	
	FWD	AWD	FWD	AWD
ENGINE SPECIFICATIONS				
Engine Type	3.8L OHV V6		4.0L SOHC V6	
Horsepower (SAE net @ rpm)	200 @ 5,000		253 @ 6,000	
Torque (lb-ft @ rpm)	235 @ 4,000		262 @ 4,100	
Displacement (cu in)	230.5		241.2	
Bore x Stroke (in)	3.78 x 3.43		3.78 x 3.58	
Compression Ratio	9.7:1		10.2:1	
Valvetrain Configuration	OHV 12V V6		SOHC 24V V6	

	LX		Touring		Limited	
	FWD	AWD	FWD	AWD	FWD	AWD

WEIGHT AND CAPACITIES						
Fuel Tank Capacity (gal)	23	23	23	23	23	23
Base Curb Weight (lb)	4,355	4,556	4,458	4,645	4,597	4,754
Payload Capacity (lb)	889	897	1,137	1,147	1,027	1,027
Towing Capacity (lb)⁽¹⁾	3,500	3,500	3,500	3,500	3,500	3,500
Recommended Fuel	Unleaded Regular	Unleaded Regular	Unleaded Regular	Unleaded Regular	Unleaded Regular	Unleaded Regular
Fuel Economy⁽²⁾ — City/Highway (mpg)	18/25	16/23	16/24	16/23	16/24	16/23

EXTERIOR DIMENSIONS⁽³⁾	
Wheelbase	116.3
Overall Length/Width	198.5/79.3
Overall Height — Standard	68.3
Track — Front/Rear	66.0/66.0
Turning Diameter (ft)	39.8

LIFETIME POWERTRAIN WARRANTY Includes a **Lifetime Powertrain Limited Warranty**. No deductible. See dealer for a copy of limited warranty and details. Non-Transferable. Not available on SRT and certain fleet vehicles.

3/36 Limited Warranty. New Chrysler vehicles are covered by a 3-year or 36,000-mile Basic Limited Warranty. See your dealer for a copy of this limited warranty. Excludes normal maintenance and wear items.

Chrysler Auto Insurance. The only insurance guaranteed to repair your vehicle using Authentic Chrysler Collision Repair Parts by Mopar for as long as you own your Chrysler vehicle, and up to \$100 off your deductible when those repairs are done at a Chrysler dealership — all at rates that are tough to beat. For a free quote, visit www.chryslerautoinsurance.com or call (877) 244-1531 and mention keycode QL8XXX.

The Chrysler Gift Gallery pays tribute GIFT GALLERY to the finer things in life. With everything from men's and women's apparel to accessories and designer collectibles, you are sure to take your style to the next level. View the entire collection of authentic merchandise at chrysler.com/giftgallery.

	LX		Touring		Limited	
	FWD	AWD	FWD	AWD	FWD	AWD
INTERIOR DIMENSIONS⁽³⁾						
Maximum Seating Capacity	5	5	6	6	6	6
Front Row — Head Room	39.2	39.2	39.2	39.2	39.2	39.2
— Leg Room	40.9	40.9	40.9	40.9	40.9	40.9
— Shoulder Room	60.8	60.8	60.8	60.8	60.8	60.8
— Hip Room	55.1	55.1	55.1	55.1	55.1	55.1
Second Row — Head Room	40.5	40.5	40.0	40.0	39.5	39.5
— Leg Room	40.4	40.4	39.9	39.9	39.9	39.9
— Shoulder Room	60.4	60.4	60.5	60.5	60.5	60.5
— Hip Room	56.2	56.2	56.3	56.3	56.3	56.3
Third Row — Head Room	NA	NA	35.4	35.4	35.4	35.4
— Leg Room	NA	NA	29.9	29.9	29.9	29.9
— Shoulder Room	NA	NA	58.0	58.0	58.0	58.0
— Hip Room	NA	NA	41.9	41.9	41.9	41.9
Passenger Interior Volume (cu ft)						
— First Row	56.5	56.5	56.2	56.2	56.2	56.2
— Second Row	57.2	57.2	55.0	55.0	55.0	55.0
— Third Row	NA	NA	32.7	32.7	32.7	32.7
Total Passenger Interior Volume (cu ft)	113.7	113.7	143.9	143.9	143.9	143.9
Cargo Volume (cu ft)						
— Behind First Row	92.2	92.2	79.5	79.5	79.5	79.5
— Behind Second Row	45.0	45.0	43.6	43.6	43.6	43.6
— Behind Third Row	NA	NA	13.0	13.0	13.0	13.0

⁽¹⁾ With appropriate Mopar Trailer Tow package. Without package, max capacity is 2,600 lbs. ⁽²⁾ EPA est. mpg. 2007 model-year ratings. ⁽³⁾ Dimensions in inches unless otherwise noted. NA = Not applicable.

Chrysler Financial With **Chrysler Financial**, you can get great finance options, competitive rates and flexible payment plans. Learn more about your financing benefits and even submit a credit application at chryslerfinancial.com.

Chrysler Service Contracts. Your Chrysler is one of the most inspiring vehicles on the road. Why not protect your investment with a Chrysler Service Contract or Maintenance Plan? For more information, see your Chrysler dealer, call (800)442-2666 or visit servicecontracts.chrysler.com.

REWARDS VISA With the **Chrysler Rewards Visa** credit card, you earn points for every purchase you make which can be redeemed for anything at your Chrysler, Jeep or Dodge dealership — all with no annual fee! Visit chryslercreditcard.com for more information on how to apply!

SIRIUS SATELLITE RADIO SIRIUS Satellite Radio delivers over 130 channels, including 100% commercial-free music, sports, news, talk, entertainment, traffic and weather. Factory-installed SIRIUS Satellite Radio includes a one-year subscription. For more information, go to sirius.com.



All product illustrations, specifications, and competitive comparisons are based upon current information at the time of publication approval. Although descriptions are believed correct, complete accuracy cannot be guaranteed. Chrysler LLC reserves the right to make changes at any time, without notice or obligation, in prices, specifications, equipment, colors and materials, and to change or discontinue models. Some of the equipment shown or described throughout this catalog is available at extra cost. See your dealer for the latest information.

THE PROOF

Chrysler engineers create vehicles that let you enjoy your independence, realize your aspirations, and express your personal style. Chrysler Pacifica is the only vehicle in its class* to offer the following:

- ▶ Available in-cluster navigation system and in-cluster rearview back-up camera.
- ▶ Available driver-side inflatable knee blocker.
- ▶ Standard rear load-leveling and height-controlled suspension.

*Based on 2007 *Automotive News* segmentation.



CHRYSLER.COM

Our Web site offers detailed information on all Chrysler products. You can virtually assemble any vehicle you like. Simply choose the model with your favorite color combinations, equipment, and features — and then price it all out. Plus you can visit these other helpful sites:

BUILD Create the Chrysler model of your dreams and get a price estimate.
chrysler.com/build

GET A QUOTE Get a quote on any Chrysler model from a local dealer.
chrysler.com/gaq

DEALERSHIPS Enter your ZIP code or city/state to find a Chrysler dealer in your area.
chrysler.com/dealers

WARRANTY Find everything you need to know about your Chrysler limited warranty.
chrysler.com/warranty

SEARCH Check out our new search engine and all its capabilities.
chrysler.com/search

GOLF Learn more about the Chrysler Club Championship.
chrysler.com/golf

TEST-DRIVE Select a Chrysler model and schedule a test-drive with a local dealer.
chrysler.com/satd



CALL 1-800-CHRYSLER.

Our friendly and knowledgeable product information specialists are available seven days a week, 8 a.m.–midnight (EST) to answer your questions.



VISIT YOUR DEALER.

Your Chrysler dealer's knowledgeable and professionally trained staff will guide you through the shopping process with expert advice.

AUTHENTIC CHRYSLER ACCESSORIES

When you enhance your Pacifica with Authentic Chrysler Accessories by Mopar, you gain far more than sophisticated style, premium protection or engaging entertainment. You also benefit from the authentic difference found only in an original equipment accessory. It is a difference that demands tighter tolerances and exacting testing methods. And one backed by a superior warranty* serviced by Chrysler dealerships nationwide. Choose the full line of accessories that feature a fit, finish and functionality designed specifically for your Pacifica. Visit us at mopar.com.

*See your dealer for full details and a copy of the limited warranty.

AUTHENTIC CHRYSLER ACCESSORIES



Authentic Chrysler Accessories by Mopar shown above include Front Air Deflector, Side Window Air Deflectors, Sport Utility Bars and Water Sports Carrier.

IT'S THE WAY OUR VEHICLES
COME TOGETHER
THAT SETS US APART.



CHRYSLER

CHRYSLER

ENGINEERED BEAUTIFULLY