



# 1973 DODGE CORONET

CORONET CUSTOM SEDAN





Coronet moves the "wide open spaces" indoors.

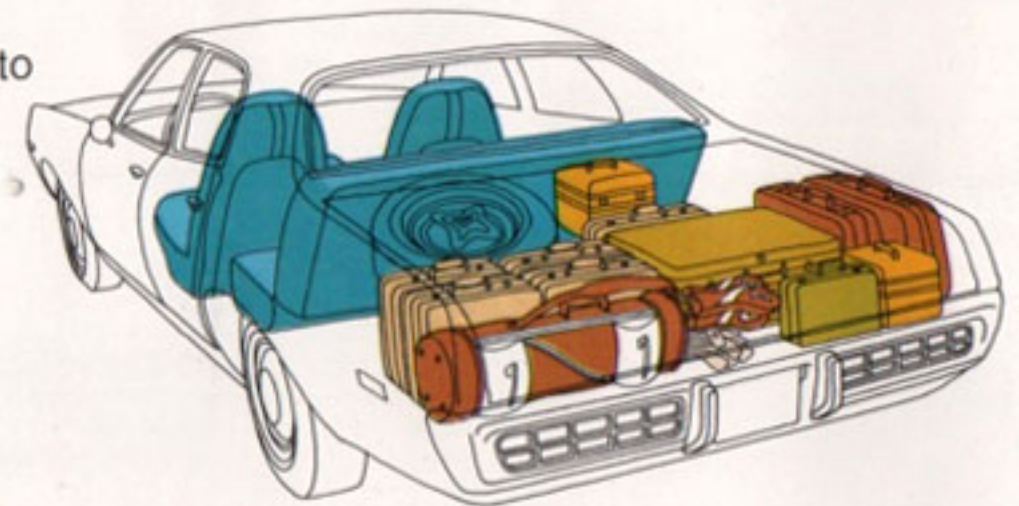


This optional all-vinyl front bench seat with an accompanying fold-down center armrest is a good-looking extra you can add to your Coronet Custom.

## 1973 CORONET. WHEN WAS THE LAST TIME YOU SAW A FOUR-DOOR SEDAN THAT LOOKED THIS GOOD?

Coronet '73 could get by on looks alone, but it's got a lot more than looks going for it. Including a back seat that your friends can get in and out of easily. And since we designed Coronet exclusively as a four-door, we made sure that your passengers get plenty of legroom and headroom, no matter where they're sitting. There's also plenty of room for luggage in the trunk, to make sure you can take it with you without cluttering your roof line with a luggage rack. A new item this year is Coronet's Torsion-Quiet Ride, a combination of suspension items and sound-deadening materials that gives you the ride and handling characteristics previously found only on the big Dodge. And all this goes on a wheelbase that's small enough to give you easy maneuvering and quick handling response. 1973 Dodge Coronet. A practical yet good-looking solution to a family-sized problem.

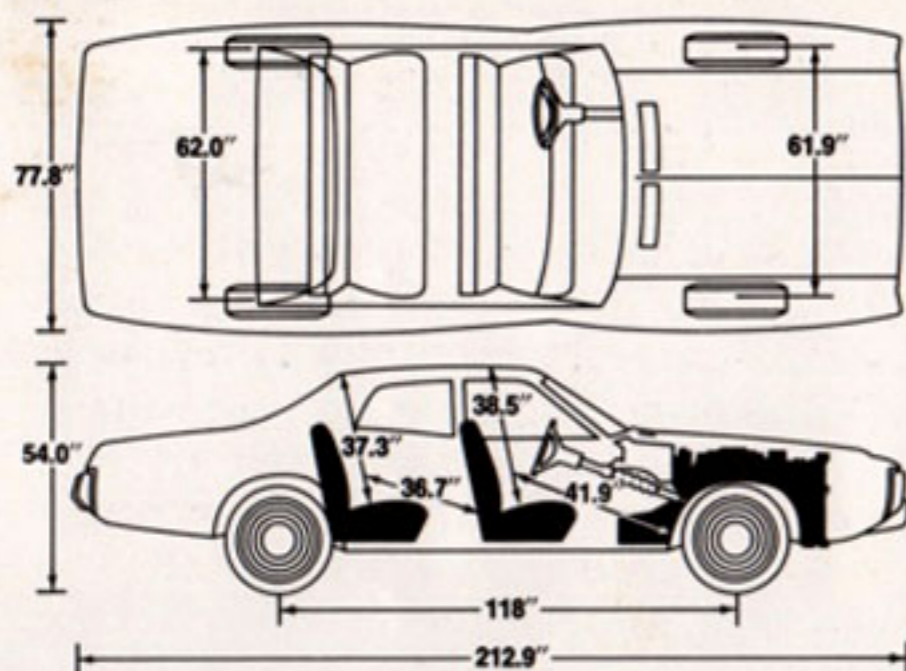
When Dodge says Coronet is family-sized, Dodge kids you not! Compare Coronet's room to that of any car in its class, or to *any* car, for that matter, and you'll see why it's called "family-sized." Check out the handy chart at the right for Coronet's interior dimensions and trunk capacity.



CORONET SEDAN.



## CORONET DIMENSIONS



## LUGGAGE CAPACITY

LADY'S PULLMAN	●
LADY'S WARDROBE	●
LADY'S OVERNIGHT BAGS	●●●●●
LADY'S TRAIN CASES	●●
MAN'S TWO-SUITERS	●●
MAN'S OVERNIGHT BAG	●
BAG OF GOLF CLUBS	●

## STANDARD SPECIFICATIONS

ENGINES:	225 Six, 318 V8
TRANSMISSION:	3-speed manual, column-mounted shift
SUSPENSION:	Torsion-Quiet Ride, including torsion-bar front suspension and asymmetrical rear leaf springs; Oriflow shocks
TIRES:	E78 x 14 BSW, bias-belted F78 x 14 BSW (std. on all V8 models)
WHEELS:	14 x 5.0, black enamel
BRAKES:	Front: Manual disc; rear: 10" x 2½" drum
ELECTRICAL SYSTEM:	Battery: 280-ampere (46-amp-hr) Alternator: 41-amp Electronic Ignition System Transistorized voltage regulator
FUEL TANK:	19.5 gallons
TRUNK CAPACITY:	16.7 cu. ft.

## REAR AXLE AVAILABILITY

ENGINE	TRANSMISSION	STD.	OPT.
225 Six	3-speed manual	3.21	3.23
	TorqueFlite	2.94	3.21
318 V8	3-speed manual	2.94	3.21
	TorqueFlite	2.71	3.21

## STANDARD EQUIPMENT

### INTERIOR FEATURES

- All-vinyl bench seat (Coronet), available in Blue, Green, and Black
- Pleated cloth-and-vinyl front bench seat (Coronet Custom), available in Blue, Green, Black, and Gold
- Color-keyed rubber floor mats (Coronet)
- Color-keyed carpeting (Coronet Custom)
- Cigarette lighter
- Front and rear armrests
- Front and rear ashtrays
- Simulated wood-grained instrument panel applique (Coronet Custom)
- Simulated wood-grained door trim inserts (Coronet Custom)
- Seat spacers for height adjustment
- Dome light with front door courtesy switch
- Glove box lock
- Heater/defroster
- Vinyl trunk mat
- Foot-operated parking brake
- 3-spoke color-keyed steering wheel (with simulated wood-grained insert on the Coronet Custom)
- E78 x 14 bias-belted black sidewall tires

### EXTERIOR FEATURES

- Single horn (Coronet)
- Dual horns (Coronet Custom)
- 2-speed concealed windshield wipers
- Drip-rail mouldings (Coronet Custom)

- Wheel-lip mouldings (Coronet Custom)
- Body side mouldings with black paint-fill insert (Coronet Custom)
- Deck lid moulding (Coronet)
- Rear quarter end mouldings with paint-fill or black vinyl insert (Coronet Custom)
- Electric windshield washers
- Hubcaps
- Front and rear bumper guards

### SAFETY FEATURES

- Cleaner Air System with Vapor Saver (gasoline evaporation control system)
- Antitheft steering column lock
- Backup lights
- Breakaway front ashtray
- Combination side markers, light reflectors
- Dual Braking System
- Extra-protection bumper system
- Energy-absorbing steering column and wheel
- Flush outside door handles
- 3-point safety belt system with locking retractors
- Hazard warning system
- Head restraints
- "Key-left-in-ignition" warning buzzer
- Manual latches on folding front seatbacks
- Left outside mirror
- Inside day/night rearview mirror with double-ball-joint safety mount
- Nonoverride door locks, except on driver's door

- Padded instrument panel and sun visors
- Parking brake
- Parking brake and master cylinder warning light
- Safety-Action inside door handles
- Safety-Rim wheels
- Soft knobs on window cranks
- Turn signals with lane-change features
- Windshield wipers and washers

### EXTERIOR COLORS

- Light Blue—HB1.
- Super Blue—TB3.
- Bright Blue Metallic—GB5.
- Bright Red—FE5.
- Top Banana—FY1 (extra-cost).
- Light Gold—JY3.
- Gold Metallic—JY6.
- Dark Gold Metallic—JY9.
- Pale Green—JF1.
- Light Green Metallic—GF3.
- Dark Green Metallic—JF8.
- Bronze Metallic—GK6.
- Medium Tan Metallic—HT6.
- Parchment—HL4.
- Dark Silver Metallic—JA5.
- Eggshell White—EW1.
- Black—TX9.



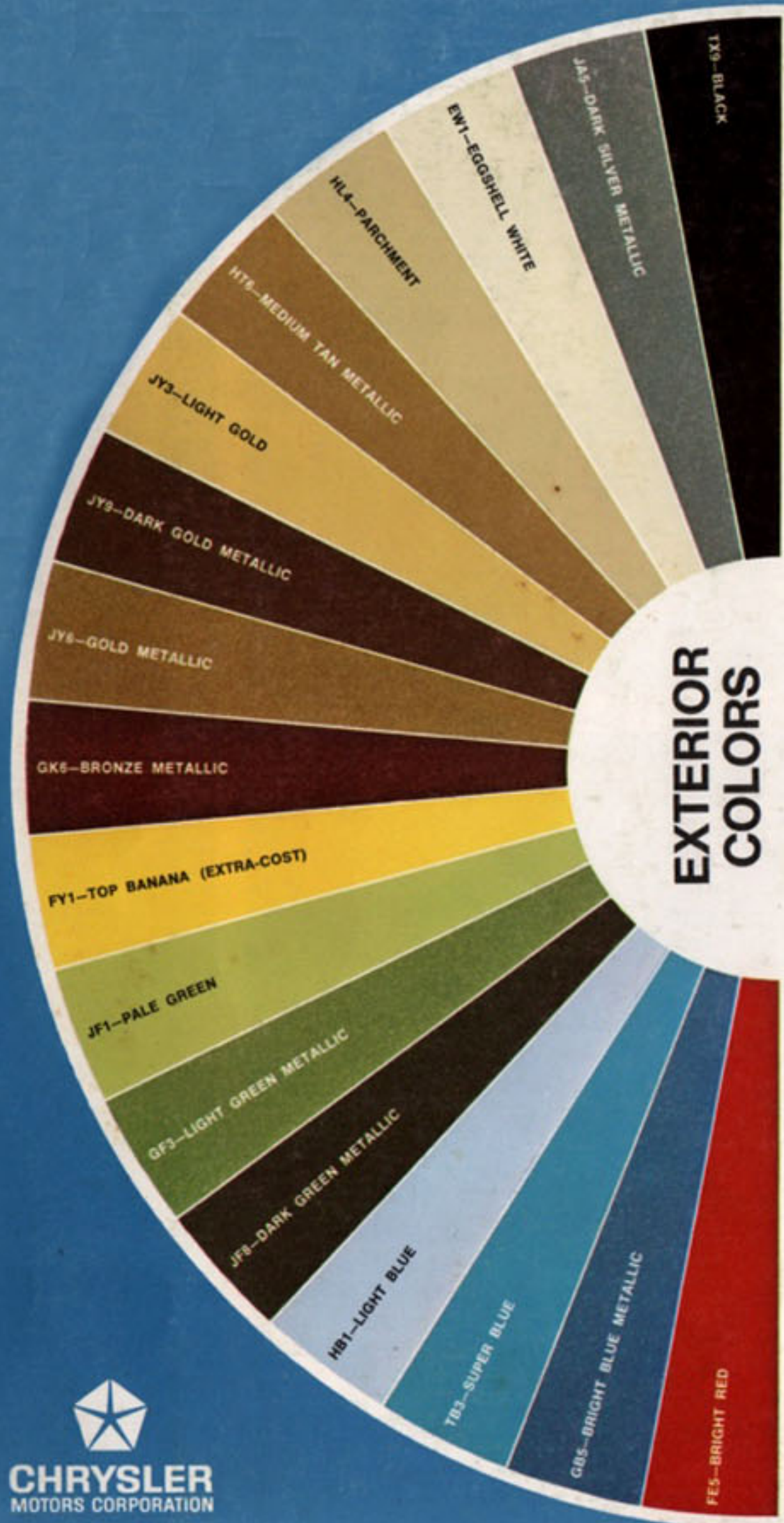
CORONET.



CORONET CUSTOM.



## SELECTED CORONET OPTIONS



### EXTERIOR COLORS

400 V8 2-bbl. engine  
 400 V8 4-bbl. engine with dual exhausts  
 Air conditioning (NA with 6-cyl. engine)  
 TorqueFlite automatic transmission  
 Power front disc brakes  
 Deluxe bumper guards  
 Deluxe wheel covers  
 Vinyl roof  
 Wire wheel covers  
 AM/FM radio  
 AM/FM multiplex stereo radio  
 AM/FM multiplex stereo with tape cassette  
 Music Master AM radio  
 Inside hood release  
 Electric clock  
 Rear window defogger  
 3-speed windshield wipers  
 Upper level fresh air ventilation  
 Undercoating and hood insulator pad  
 Upper door frame mouldings  
 Sill mouldings  
 Rear seat speaker (std. with stereo)  
 Sure Grip differential  
 Tinted glass  
 Outside right mirror  
 Outside remote-control left mirror  
 Power windows  
 "Tuff" steering wheel (requires power steering)  
 Rallye road wheels with chrome trim ring  
 Magnum wheels with chrome trim ring  
 Emission Control Package (mandatory in California only)

Power steering (required with the 400 V8 engine)  
 Drip-rail and wheel-lip mouldings (available with the optional Coronet Deluxe Package only)  
 Hood front and bumper reveal mouldings  
 Vinyl body side mouldings  
 Vinyl bench seat with center armrest (Coronet Custom)  
 Door edge protectors

#### OPTIONAL PACKAGES

**Light Package.** (Includes fender-mounted turn signals, a map and courtesy light, glove box and ashtray lights, a trunk light, a rear door dome light switch, an ignition switch light with time delay, and a "headlight-on" warning buzzer.)  
**Coronet Custom E-Z Order Package.** (Includes a TorqueFlite automatic transmission, power steering, AM radio, left remote-control outside mirror, deluxe wheel covers, an inside hood release, the Light Package listed above, 3-speed windshield wipers, undercoating and a hood insulator pad, deluxe bumper guards, whitewall tires, a vinyl roof, and power front disc brakes.)  
**Coronet Deluxe Package.** (Includes dual horns, carpeting, a deluxe steering wheel, and drip-rail and wheel-lip mouldings.)

**Heavy-Duty Package.** (Includes extra-wide wheel rims, a heavy-duty suspension, and maximum cooling that consists of a high-capacity radiator, fan shroud, and a coolant reserve system.)  
**Trailer Wiring Package.** (Includes a 7-wire trailer wiring harness, a 60-amp heavy-duty Chrysler alternator, and a variable-load turn signal flasher.)  
**Trailer-Towing Package.** (Includes a heavy-duty 3.23:1 rear axle ratio, an auxiliary transmission oil cooler, and all the items listed above in the Heavy-Duty and Trailer Wiring Packages. This package requires an automatic transmission, power front disc brakes, and size H78 x 14 tires.)  
**Luxury Equipment Package.** (Available on the Coronet Custom, this package includes the following equipment: air conditioning, tinted glass, an electric clock, vinyl body side mouldings, power windows, an AM/FM radio, a rear seat speaker, a rear-window defogger, upper door mouldings, a vinyl center armrest seat, and the additional equipment listed in the Coronet E-Z Order Package.)

**Extra care in engineering makes a difference in Dodge...depend on it.**



All product illustrations and specifications are based on authorized information. Although all descriptions are believed correct at publication approval, accuracy cannot be guaranteed. Some of the equipment shown on product illustrations is optional at extra cost. Dodge Division reserves the right to make changes from time to time, without notice or obligation, in prices, specifications, colors and materials, and to change or discontinue models.

FORM NO. 81-205-3038

LITHO IN U.S.A. 8/72.

