

BRZ

2017



BRZ. Heart of a Subaru. Soul of a sports car.

 **SUBARU.**
Confidence in Motion



The joy of driving **purified.**

The 2017 Subaru BRZ

There are sports cars with rear wheel-drive. There are also sports cars with responsive steering, a few with nimble handling, and some that are lightweight. The BRZ has all of these characteristics—and more. And with the supremely low and balanced 205-horsepower¹ SUBARU BOXER[®] engine, the experience is simply divine. This is how sports cars should be built—and how driving should feel.


Performance Package—Ready for your best lap.

To push the BRZ harder so it can handle the demands of higher performance driving, look no further than the Performance Package. With Brembo[®] performance brakes for supreme stopping power, SACHS[®] performance dampers for enhanced stability, and black 17 x 7.5-inch, 10-spoke aluminum-alloy wheels for an exclusive look, this BRZ is ready to perform, lap after lap.²

¹ Manual transmission models only. ² We do not recommend racing your vehicle. Racing may void the vehicle warranty. See Warranty & Maintenance Booklet for details. If you do race the vehicle, do it safely and lawfully on approved racing tracks. Drive responsibly at all times and obey all traffic laws.

The open road is **your canvas.**




 **Engaging**

With a traditional rear-wheel drive layout, the BRZ pays homage to classic sports car ideals while retaining modern necessities. Its combination of traits—lightness, low center of gravity, fully independent suspension, telepathic handling—deliver an unfiltered, unequivocally enjoyable driving experience.

 **Potent**

Powered by a 205-hp¹ direct- and port-injected 2.0-liter 4-cylinder SUBARU BOXER[®] engine, the BRZ hits all the right notes in both performance and sound. The sonorous, high rpm symphony from the tuned exhaust system is music to the enthusiasts' ears.

 **Dialed-in**

The ideal sports car driving position means you'll find everything you need, right where you need it. The bolstered, sport-design front seats keep you planted, while the small-diameter, leather-wrapped steering wheel is perfectly complemented by a point-and-shoot 13.1:1 steering ratio.

 **Connected**

Operable by new steering wheel-mounted controls, the standard SUBARU STARLINK™ 6.2" Multimedia system allows you to connect via Bluetooth[®] or USB port to apps like Pandora[®], iHeart[®] Radio, Stitcher™ and Aha,^{™2} for all your favorite news, music and podcasts. You can also connect to the clear sounds of HD Radio[®] and SiriusXM[®] Satellite Radio³ so you can always hear your soundtrack, no matter where the road takes you.



LED Taillights



Sport-design Gauges with Multifunction Display

3 | 2017 BRZ



Lightweight Aluminum Rear Spoiler



Brembo[®] Performance Brakes

1 Manual transmission models only. 2 Compatible smartphone and application required. For applications to operate, latest version of each application is required. Data provided by smartphone is displayed on the audio system screen. Some state laws prohibit the operation of handheld electronic devices while operating a vehicle. Smartphone apps should only be launched when vehicle is safely parked. Your wireless carrier's rates may apply. 3 Activation and required monthly subscription sold separately. Includes 4-month trial subscription. See your retailer.

BRZ Limited in WR Blue with optional Performance Package.



It only lacks one thing — **you.**

Driver-focused Cockpit

Everything is designed with the driver in mind. From the small-diameter, leather-wrapped steering wheel to the strategically placed pedals, oblique shifter and low-mounted performance-design front seats with deep bolsters and Alcantara® inserts¹—it's all perfectly assembled to create the ideal sports car driving position. The new 4.2" multifunction display¹ keeps you informed with a G-force meter, lap timer, engine torque curve maps and more while the new Track Mode lets you push the limits of performance driving even further. The available dual-zone automatic climate control system keeps you in the comfort zone, while Bluetooth® hands-free calling and audio streaming simplifies making calls and listening to music. And with the standard auto-on/off LED headlights, you can stay connected to the driving experience, even after dark.

¹ BRZ Limited and Series.Yellow models only.

Every excess eliminated.
Every thrill amplified.



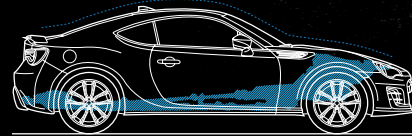
2,785 POUNDS
CURB WEIGHT

[18.11"]
CENTER OF
GRAVITY HEIGHT³

ENGINE PLACEMENT

WEIGHT SPLIT: FRONT [55]

REAR [45]

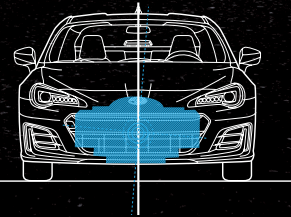


Lightweight—2,785 Pounds¹

Lightweight sports cars can react quicker, accelerate faster, and stop with more authority. With less heft, the 205-hp² SUBARU BOXER[®] engine becomes a powerhouse, and the available 12.8-inch Brembo[®] performance brakes—world-beaters. High-tensile steel makes it not only lighter but stiffer, too. Also a priority was balance—so it's rear-wheel drive for better front-to-rear weight distribution.

Low .27 Coefficient of Drag³

To a sports car, wind is like weight—the more of it you have to move, the more it takes from your ability to perform. Features like a channeled roof, aerodynamic underbody panels and a rear diffuser help the BRZ cut through the air, sharpening the performance you'll feel.

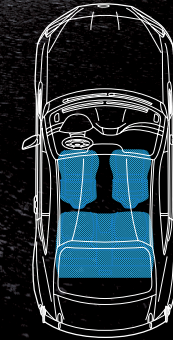


SUBARU BOXER[®] Engine

Low, stable, with immediate power delivery, the SUBARU BOXER[®] engine with up to 205 hp² is the heart and soul of the BRZ. With port- and direct-injection technology, its efficiency is impeccable—up to 33 highway MPG⁴—and its power easily harnessed with either the lauded 6-speed close-ratio manual transmission or a quick-shifting 6-speed automatic transmission with manual mode and paddle shifters.

Low Center of Gravity

Not only was the engine designed to be compact, allowing it to be mounted lower in the chassis, every element of the BRZ was placed as low as possible, from the roofline to the seating position. This is what gives the BRZ its supercar-like center of gravity measurement—18.11 inches³—that keeps it firmly planted to the ground for otherworldly composure and response.



Driver-centric Ergonomics

With design features like a small-diameter steering wheel and optimally placed short-throw shifter, your hands can fully capitalize on the quick 13.1:1 steering ratio. And with sport-design instrumentation, you'll immediately get the information you need most.

Performance-design Seats

When you're deep in the corners, you'll be glad the BRZ comes standard with supportive front seats with deep bolsters. They're also available with Alcantara[®] inserts, which provide extra grip to help keep you in the pocket.

1 Base curb weight for BRZ Premium. 2 Manual transmission models only. 3 BRZ Premium and BRZ Limited models only. BRZ Series, Yellow and Limited Performance Package specifications not available at time of printing. 4 With automatic transmission. 2017 EPA highway fuel economy estimates. Actual mileage may vary.

2017 BRZ Series.Yellow



Turn faster laps¹. Turn more heads.

The 2017 BRZ Series.Yellow blazes onto the scene with a fiery new look and performance upgrades to match. Adorned with exclusive yellow paint, black mirror caps, black badging, a frameless rearview mirror and yellow stitching throughout, the Series.Yellow also includes SACHS® performance dampers for sportier handling, and high-performance Brembo® brakes with 4-piston front and dual-piston rear calipers with 12.8" front and 12.4" rear rotors. Topping off the Series.Yellow package, its black 17 x 7.5 inch, 10-spoke aluminum-alloy wheels give this BRZ a timeless presence to complement its exclusivity—only 500 units will be built.




Subaru is Kelley Blue Book's
2016 Best Overall Brand²

Kelley Blue Book's KBB.com



¹ We do not recommend racing your vehicle. Racing may void the vehicle warranty. See Warranty & Maintenance Booklet for details. If you do race the vehicle, do it safely and lawfully on approved racing tracks. Drive responsibly at all times and obey all traffic laws. ² Awards are based on the Brand Watch™ study from Kelley Blue Book Strategic Insights. Award calculated among non-luxury shoppers. For more information, visit www.kbb.com. Kelley Blue Book is a registered trademark of Kelley Blue Book Co., Inc. ³ ALG is the industry benchmark for residual values and depreciation data. www.alg.com. ⁴ Star ratings are part of the U.S. Department of Transportation's Safercar.gov program (www.safercar.gov)





Subaru is the 2016 **Top Mainstream Brand for Residual Value** according to ALG³

ALG




Subaru is Kelley Blue Book's
2016 Best Performance Brand²

Kelley Blue Book's KBB.com

Five-star crash safety rating⁴

2017 BRZ | Trim Levels



BRZ Premium

- 205-hp direct-injection 2.0-liter 4-cylinder SUBARU BOXER® engine
- Close-ratio 6-speed manual transmission
- Sport-tuned suspension
- Multi-spoke 17-inch aluminum-alloy wheels
- LED headlights
- Trunk spoiler
- Cloth upholstery
- Leather-wrapped steering wheel with audio and Bluetooth® controls
- Sport-design gauges with multifunction display
- Manually adjustable air conditioning system
- Auto-up/down power windows
- Electronic cruise control
- Rear-Vision Camera
- SUBARU STARLINK™ 6.2" Multimedia System with Pandora®, iHeart® Radio, Stitcher™ and Aha™ smartphone app integration¹, high-resolution LCD touchscreen display, 8 speakers, AM/FM/CD player, HD Radio® with iTunes® tagging capability, USB port/iPod® control, SiriusXM® Satellite Radio², Bluetooth® audio streaming and hands-free phone connectivity, and 3.5-mm auxiliary jack
- Carpeted floor mats with embroidered BRZ logo and red stitching



BRZ Limited

Includes BRZ Premium key features and adds:

- LED fog lights
- Alcantara® and leather-trimmed upholstery
- Center console and lower door knee pads with red stitching
- Instrument cluster meter visor with red stitching
- Sport-design gauges with 4.2-inch, color multifunction display
- Heated front seats and side mirrors
- Dual-zone automatic digital climate control
- Keyless Access with Push-button Start
- Antitheft security system
- **Optional Performance Package³:** Includes Brembo® performance braking system, SACHS® performance dampers and 17 x 7.5-inch multi-spoke aluminum-alloy wheels with black finish



BRZ Series.Yellow⁴

Includes BRZ Limited key features and adds:

- Limited availability (500 units)
- Brembo® performance braking system
- SACHS® performance dampers
- Exclusive Charlesite Yellow paint
- Black-painted side mirrors
- Black badging
- 17 x 7.5-inch multi-spoke aluminum-alloy wheels with black finish
- Alcantara® and leather-trimmed front seats with yellow-embroidered BRZ logo and stitching
- Leather-wrapped steering wheel with yellow stitching
- Door trim with yellow stitching
- Center console and lower door knee pads with yellow stitching
- Shift boot and parking brake with yellow stitching
- Carpeted floor mats with embroidered BRZ logo and yellow stitching
- Instrument cluster meter visor with yellow stitching
- Frameless rearview mirror

2017 BRZ | Specifications

Engine and Drivetrain

Power | Torque 2.0-liter DOHC aluminum-alloy 16-valve 4-cylinder horizontally opposed SUBARU BOXER® engine with Dual Active Valve Control System (DAVCS).
Manual transmission: 205 hp @ 7,000 rpm | 156 lb-ft @ 6,400-6,800 rpm
Automatic transmission: 200 hp @ 7,000 rpm | 151 lb-ft @ 6,400-6,600 rpm

Fuel System Direct and port fuel injection

Manual Transmission Fully synchronized close-ratio 6-speed manual with Incline Start Assist

Automatic Transmission 6-speed electronic automatic transmission with Sport mode, manual mode with paddle shifters, rev-matching downshift control and Incline Start Assist.
BRZ Premium and BRZ Series.Yellow: Not Available. **BRZ Limited:** Optional.

Traction and Stability

Drivetrain Rear-wheel drive

Rear Differential TORSEN® limited slip

Vehicle Stability Control (VSC) Includes performance-oriented Track Mode

Traction Control System (TCS)

Fuel

Economy city/highway/combined⁵

Manual: 21/29/24 mpg
Automatic: 24/33/27 mpg

Fuel Requirement Premium unleaded gasoline (93 octane)

Fuel Capacity 13.2 gallons

Chassis

Steering Electric power-assisted quick ratio rack-and-pinion steering (EPAS). Ratio: 13.1:1. Turns lock-to-lock: 2.48. Turning circle: 35.4 feet⁶

Suspension **BRZ Premium and BRZ Limited:** Sport-tuned 4-wheel independent. **Front:** Strut-type with lower L-arm. Stabilizer bar. **Rear:** Double-wishbone with shock absorber. Stabilizer bar.
BRZ Series.Yellow and Performance Package³: Sport-tuned 4-wheel independent. **Front:** SACHS® performance strut-type with lower L-arm. Stabilizer bar. **Rear:** Double-wishbone with SACHS® performance shock absorber. Stabilizer bar.

Brakes **BRZ Premium and BRZ Limited:** 4-wheel disc, ventilated front and rear. Dual-piston front and single-piston rear calipers. 4-channel, 4-sensor ABS with Electronic Brake-force Distribution (EBD).
BRZ Series.Yellow and Performance Package³: Brembo® performance braking system. 4-wheel disc, ventilated front and rear. 4-piston front and dual-piston rear calipers. 4-channel, 4-sensor ABS with Electronic Brake-force Distribution (EBD).

Brake Discs (front/rear) **BRZ Premium and BRZ Limited:** 11.6 inches/11.4 inches.
BRZ Series.Yellow and Performance Package³: 12.8 inches/12.4 inches.

Brake Assist When emergency braking is detected by how quickly the brake pedal is pressed, maximum brake pressure is immediately applied.

Brake Override System If both brake and accelerator pedals are pressed simultaneously, the system reduces the operation of the accelerator pedal to help prevent unintentional vehicle acceleration.

Wheels and Tires

Wheels **BRZ Premium and BRZ Limited:** 17 x 7.0-inch multi-spoke aluminum-alloy. Dark gray with machine finish.
BRZ Series.Yellow and Performance Package³: 17 x 7.5-inch multi-spoke aluminum-alloy. Black finish.

Tires 215/45 R17 87W summer-performance

● Standard ○ Optional — Not equipped

2017 BRZ | Equipment

	BRZ Premium	BRZ Limited	BRZ Series.Yellow
Exterior			
LED projector low- and high-beam headlights	●	●	●
LED fog lights	□	●	●
LED taillights	●	●	●
Rear bumper with integrated diffuser	●	●	●
Trunk spoiler	●	●	●
Black BRZ and SUBARU badging	—	—	●
Dual stainless-steel exhaust outlets	●	●	●
Body-color power side mirrors	●	●	—
Black-painted power side mirrors	—	—	●
Heated side mirrors (All-Weather Package)	—	●	●
Seating and Trim			
6-way manually adjustable driver's seat. 4-way manually adjustable front-passenger's seat.	●	●	●
Performance-design front seats with height-adjustable head restraints	●	●	●
Heated front seats (All-Weather Package)	—	●	●
Flat-folding rear seatback	●	●	●
Leather-wrapped 3-spoke steering wheel with red stitching	●	●	—
Leather-wrapped 3-spoke steering wheel with yellow stitching	—	—	●
Leather-wrapped shifter handle	●	●	●
Cloth upholstery	●	—	—
Alcantara® and leather-trimmed upholstery with red-embroidered BRZ logo and stitching	—	●	—
Alcantara® and leather-trimmed upholstery with yellow-embroidered BRZ logo and stitching	—	—	●
Aluminum-alloy pedal covers	●	●	●
Convenience Features			
Keyless Access with Push-button Start	—	●	●
Auto-on/off headlights	●	●	●
Power front windows with auto-up/down	●	●	●
Electronic cruise control	●	●	●
3-spoke steering wheel with integrated audio system, Bluetooth® and cruise control buttons	●	●	●
Tilt/telescoping steering column	●	●	●
Removable dual-cup holders in center console	●	●	●
Single bottle holder in each door panel	●	●	●
12-volt power outlets in center console and glovebox	●	●	●
Audio and Communication Systems			
SUBARU STARLINK™ 6.2" Multimedia System with Pandora®, iHeart® Radio, Stitcher™ and Aha™ smartphone app integration¹, high-resolution LCD touchscreen display, 8 speakers, AM/FM/CD player, HD Radio® with iTunes® tagging capability, USB port/iPod® control, SiriusXM® Satellite Radio², Bluetooth® audio streaming and hands-free phone connectivity, and 3.5-mm auxiliary jack	●	●	●

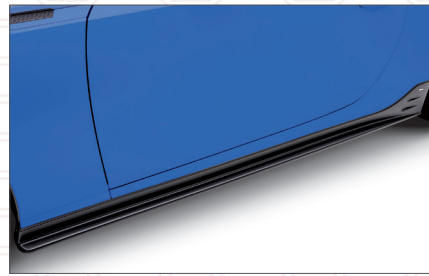
2017 BRZ | Equipment

	BRZ Premium	BRZ Limited	BRZ Series.Yellow
Instrumentation			
Sport-design gauges with analog speedometer, coolant temperature, fuel gauge and center-mounted tachometer with integrated digital speedometer	●	—	—
Sport-design gauges with analog speedometer, coolant temperature, fuel gauge, center-mounted tachometer with integrated digital speedometer and 4.2-inch LCD color multifunction display for G-force meter, stop watch, engine torque curve map and other vehicle functions	—	●	●
Climate Control			
Manually adjustable CFC-free air conditioning system with air filtration and rotary controls for temperature, 4-speed fan and airflow direction	●	—	—
Dual-zone automatic digital climate control system with air filtration and controls for temperature, 7-speed fan, airflow direction, dual-zone lockout and CFC-free air conditioning	—	●	●
Security			
Keyless entry system with answer-back electronic chirp	●	●	●
Antitheft security system	—	●	●
Engine immobilizer	●	●	●
Safety			
ACTIVE			
Vehicle Stability Control (VSC)	●	●	●
Traction Control System (TCS)	●	●	●
4-wheel antilock braking system (ABS) with Electronic Brake-force Distribution (EBD)	●	●	●
Brake Assist	●	●	●
Brake Override System	●	●	●
Tire Pressure Monitoring System (TPMS)	●	●	●
LED Daytime Running Lights (DRL)	●	●	●
Rear-Vision Camera	●	●	●
PASSIVE			
Subaru advanced frontal airbag system with driver's and front-passenger's front airbags (SRS)⁷	●	●	●
Side-curtain airbags protecting front and rear occupants (SRS)⁷	●	●	●
Seat-mounted front side-impact airbags (SRS)⁷	●	●	●
Whiplash-protection front seats	●	●	●
Height-adjustable front-seat head restraints	●	●	●
Height-adjustable 3-point front seatbelts with pretensioners and force limiters	●	●	●
3-point seatbelts at all rear seating positions	●	●	●
LATCH system: Lower Anchors and Tethers for CHildren	●	●	●
Optional Equipment			
Performance Package: Includes Brembo® performance braking system, SACHS® performance dampers and 17 x 7.5-inch multi-spoke aluminum-alloy wheels with black finish.	—	○³	●

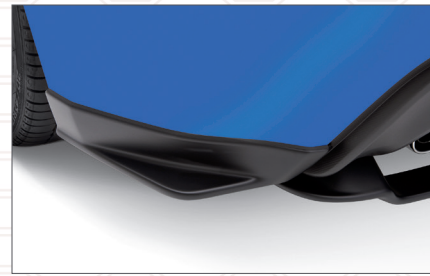
● Standard ○ Optional — Not equipped □ Available retailer-installed accessory



STI Front Under Spoiler. STI Front Under Spoiler gives the BRZ a mean, ground-hugging look.



STI Side Under Spoiler. Continue the mean ground-hugging look down the rocker panels of the BRZ. Kit includes both left and right side under spoilers.



STI Rear Quarter Under Spoiler. Complete the look on the side of the BRZ with the addition of the rear quarter under spoilers. Kit includes both left and right rear quarter under spoilers.



Rear Bumper Diffuser. Lower rear body panel helps to direct airflow and adds a sculpted finishing touch to the BRZ lower rear body line.



Cargo Tray. Helps protect the trunk area from stains and dirt while providing a surface that helps reduce the shifting of cargo while driving. Cannot be used with the Subwoofer.



Chrome Fuel Door Cover. Give your BRZ a sportier look by adding a touch of personalization with this chrome-plated fuel door cover.



Footwell Illumination Kit. Casts a soft blue or red glow onto the front floor area.



Rear Bumper Appliqué. Clear, scratch-resistant vinyl film helps to protect bumper upper surface and leading edge. Includes a discreet pearl-colored Subaru logo.



Sunshade. The foldable sunshade offers a triple layer of protection to help reduce vehicle temperature up to 40 degrees. Custom-cut to fit properly, it includes a handy storage bag.



Auto-dimming Mirror with HomeLink® This upgraded auto-dimming mirror detects glare and darkens automatically to protect your vision while featuring an 8-point digital compass. Three backlit HomeLink® buttons can be programmed to operate most garage doors, security gates, home lighting and more. Can also provide you with the last status of your garage door (open or closed) if programmed to a compatible opener featuring two-way communication.



10-inch Powered Subwoofer. Provides powerful, deep bass and also assists in clean sound reproduction from all vehicle speakers. This is achieved by its integrated 100W amplifier and a passive crossover network. The self-contained unit mounts in the trunk. Manufactured for Subaru of America by Kicker®. Cannot be installed with Cargo Tray.



STI Alloy Wheels. The 17-inch 15-spoke STI alloy wheel set helps to give the BRZ the perfect blend of attitude and style, combined with improved handling performance and steering precision due to the reduced weight of the alloy when compared to the stock alloy wheels. The wheels are finished in black and finished off with STI-branded center caps.

Protecting Your Investment

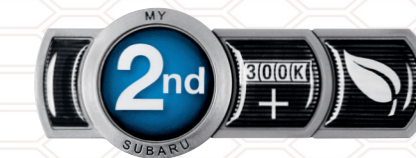
Once you're part of our family, we'll be there for you. Every Subaru comes with 24-hour roadside assistance for 3 years or 36,000 miles. If you have trouble on the road, a tow to the nearest Subaru retailer and other services are just a phone call away. And to protect you over the long haul, we offer Added Security® ...ask for it by name—extended service agreements and maintenance plans that will help protect your car for up to 7 years or 100,000 miles. They're the only mechanical and maintenance plans backed by Subaru, and because we've been backing them for more than 30 years, they're agreements you can trust. Your retailer has full coverage details.

Subaru Badge of Ownership

True commitment shows through. For Subaru owners, it shows in kayak scuffs and snowboard scratches. It can take the form of dog hair that just won't come out, fresh coats of dust, or extra coats of wax. For many, the Subaru Badge of Ownership lets them show their commitment to the life they live and the confidence that has inspired them to fully embrace it. Owners can order badges online for free, stick them on, and let everyone know how they experience the world. Which one will you get?



Durability



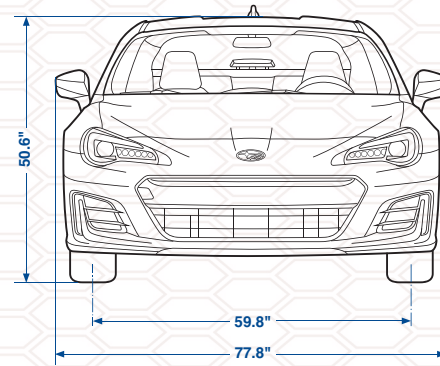
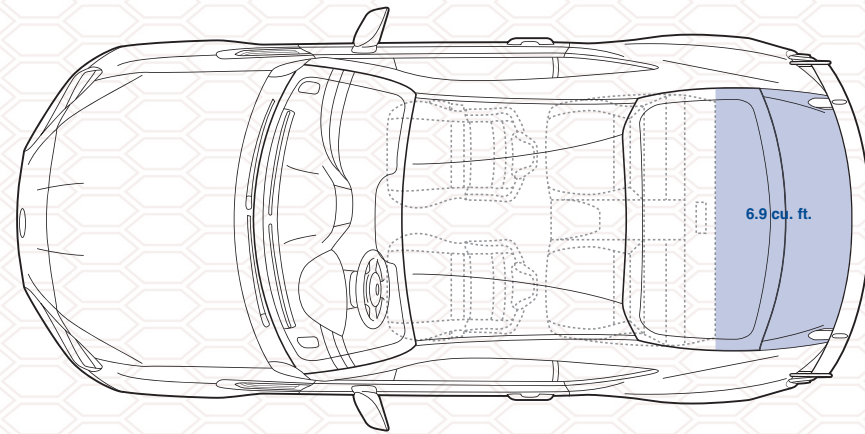
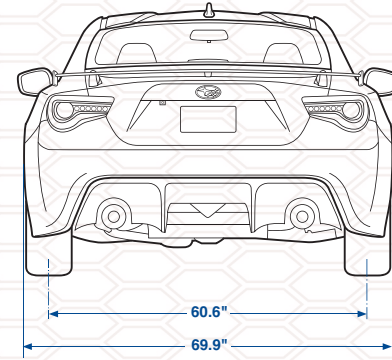
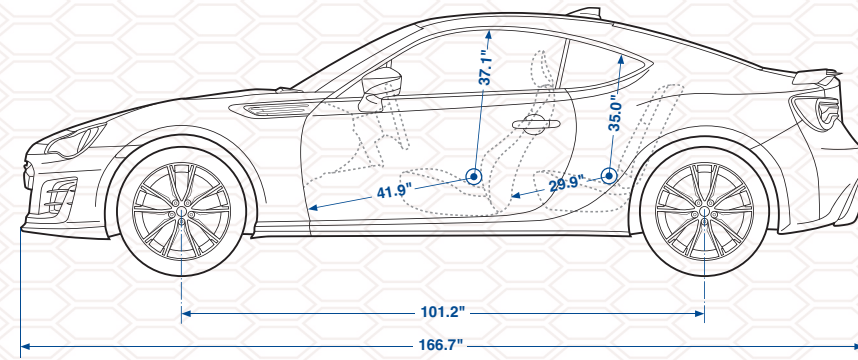
It's not disposable. It's family.

Life moves fast. Don't slow it down with a car you can't trust. At Subaru, we build each of our vehicles with the highest standards of manufacturing and with designs that are inherently tough and resilient. It's why our vehicles excel in the extreme rigors of rally racing. And why 96% of all vehicles sold in the last 10 years are still on the road today.⁵ It's also why Subaru owners are so likely to stay Subaru owners for years and years. What's more, keeping cars on the road means they stay out of landfills longer. And if we can make the world a cleaner and greener place while making cars that inspire and motivate their drivers, we've done our job.

Warranties⁹

New Car Limited Warranty	3 years or 36,000 miles, whichever comes first.	
Powertrain Limited Warranty	5 years or 60,000 miles, whichever comes first.	
Wear Item Limited Warranty	3 years or 36,000 miles, whichever comes first. Repairs to the following items will also be covered under Wear Item Limited Warranty:	<ul style="list-style-type: none"> • Brake Pads • Wiper Blades • Clutch Linings • Transmitter Batteries
Rust Perforation Limited Warranty	5 years, unlimited mileage.	
24-hour Roadside Assistance	3 years or 36,000 miles, whichever comes first.	

1 Compatible smartphone and applications required. For applications to operate, latest version of each application is required. Data provided by smartphone is displayed on the audio system screen. Some state laws prohibit the operation of handheld electronic devices while operating a vehicle. Smartphone apps should only be launched when vehicle is safely parked. Your wireless carrier's rates may apply. 2 Activation and required monthly subscription sold separately. Includes 4-month trial subscription. See your retailer. 3 Not available with automatic transmission. 4 Limited availability. See your retailer. 5 2017 EPA fuel economy estimates. Actual mileage may vary. 6 Excludes BRZ Series.Yellow and BRZ Limited with Performance Package. Specifications not available at time of printing. 7 The Supplemental Restraint System (SRS) (airbags) affords the driver and the front passenger additional protection in moderate to severe frontal and side-impact collisions and outboard 2nd-row passengers additional protection in moderate to severe side-impact collisions. This system provides supplemental protection only, and seatbelts must be worn in order to avoid injuries to out-of-position occupants upon airbag deployment and to provide the best combined protection in a serious accident. Children should always be properly restrained in one of the rear seats. See Owner's Manual for recommended seating position. 8 Based on IHS Automotive, Polk U.S. VIO Total Registrations MY2006–December 2015. 9 All Subaru vehicles sold by Subaru of America, Inc. are designed and built for normal driving conditions. The Subaru Limited Warranty, as well as the Subaru Added Security program, excludes damage or failure resulting from modifications or participation in competition or racing events. See the Subaru Warranty and Maintenance booklet for further details.



Length/Width/Height	166.7 inches/69.9 inches (77.8 inches, including mirrors)/50.6 inches
Wheelbase	101.2 inches
Track (front/rear)	59.8 inches/60.6 inches ¹
Base curb weight (manual/automatic)	BRZ Premium: 2,785 lbs/N/A BRZ Limited: 2,793 lbs/2,835 lbs BRZ Series.Yellow: 2,813 lbs/N/A
Coefficient of drag (Cd)	0.27 ¹

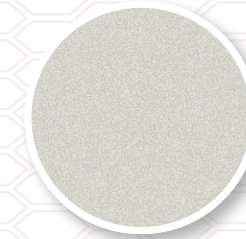
Headroom (front/rear)	37.1 inches/35.0 inches
Legroom (front/rear)	41.9 inches/29.9 inches
Shoulder room (front/rear)	54.5 inches/51.7 inches
Passenger volume	76.5 cubic feet
Trunk volume	6.9 cubic feet

¹ Excludes BRZ Series.Yellow and BRZ Limited with Performance Package. Specifications not available at time of printing.

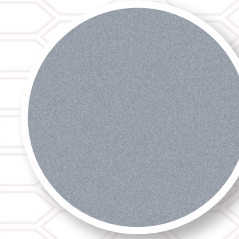
Preproduction vehicles shown, production vehicles may vary. Some images shown are for illustration purposes only. Specifications in this brochure are based on the latest product information available at the time of publication. For the most up-to-date and detailed product information, log on to www.subaru.com. Some equipment shown in photography in this brochure is optional at extra cost. Specific options may be available only in combination with other options. Specific combinations of equipment or features may vary from time to time and by geographic area. Certain accessories and equipment may not be available at the time of publication. Subaru of America, Inc., reserves the right to change or discontinue at any time, without notice, prices, colors, materials, equipment, accessories, specifications, models and packages without incurring any obligation to make the same or similar changes on vehicles previously sold. Colors shown may vary due to reproduction and printing processes.

This brochure was prepared by Subaru of America, Inc. A warranty from Subaru of America, Inc., is available only on cars sold to the first retail purchaser through an authorized Subaru retailer in the continental U.S. or Alaska. Subaru, SUBARU BOXER and BRZ are registered trademarks of Fuji Heavy Industries, Ltd. Added Security is a registered trademark of Subaru of America, Inc. Confidence in Motion and STARLINK are trademarks of Fuji Heavy Industries, Ltd. Apple®, iPod® and iTunes® are registered trademarks of Apple Inc. Alcantara® is a registered trademark of Alcantara S.p.A. and Alcantara is produced by Toray Group. Aha™ is a trademark of Harman International Industries, Inc. SiriusXM® is a registered trademark of SiriusXM Radio Inc. TORSEN® is a registered trademark of JTEKT Torsen North America, Inc. Bluetooth® is a registered trademark of Bluetooth SIG, Inc. HomeLink® is a registered trademark of Genetex Corporation. Kicker® is a registered trademark of Stillwater Designs and Audio, Inc. HD Radio® is a registered trademark of iBiquity Digital Corporation. iHeart® Radio is a registered trademark of Clear Channel Communications, Inc. Pandora® is a registered trademark of Pandora Media, Inc. Stitcher™ is a trademark of Stitcher, Inc. Brembo® is a registered trademark of Brembo S.p.A. SACHS® is a registered trademark of ZF Sachs AG Corporation. For more information, contact your Subaru retailer or log on to www.subaru.com.

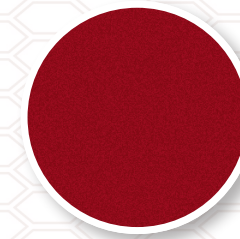
Paint



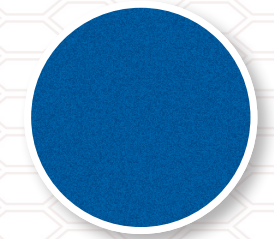
Crystal White Pearl



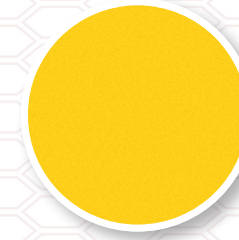
Ice Silver Metallic



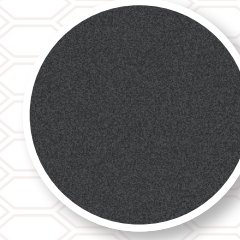
Pure Red



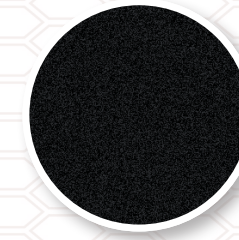
WR Blue Pearl



Charlesite Yellow

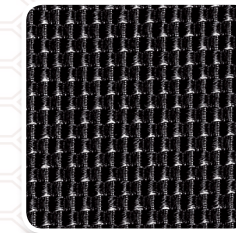


Dark Gray Metallic



Crystal Black Silica

Upholstery



Black Cloth (BC)



Black Leather / Alcantara® (BA)

Color Combinations

	BRZ Premium	BRZ Limited	BRZ Series.Yellow
Crystal White Pearl	BC	BA	—
Ice Silver Metallic	BC	BA	—
Pure Red	BC	BA	—
WR Blue Pearl	BC	BA	—
Charlesite Yellow	—	—	BA
Dark Gray Metallic	BC	BA	—
Crystal Black Silica	BC	BA	—

— Not available

Take a Guided Tour

It's the ultimate way to get to know the BRZ on your terms. Get up close and personal with videos, color configurators, 360-views, interactive content and so much more.



Online:
tour.subaru.com/BRZ2017



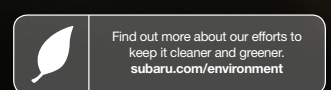
App Store:
tour.subaru.com/BRZapp



These brochures were printed with vegetable-based inks and produced using a "Green Printing Process." The Forest Stewardship Council® (FSC®) is an international organization that brings people together to find solutions which promote responsible stewardship of the world's forests and environments.

By producing these brochures in a green way rather than by traditional methods, we saved 19 trees preserved for the future; 9,115 gallons of wastewater flow saved; 611 lbs solid waste not generated; 1,680 lbs net greenhouse gases prevented; 9,000,000 BTUs energy not consumed. Calculations provided by Environmental Paper Network. FSC® is not responsible for any calculations on saving resources by choosing this paper.

This brochure is printed in the U.S.A. on 10% recycled paper. ©2016 Subaru of America, Inc. 17BRZ.SRB.525 (S-18270, 50K, 8/16, CG)



Love. It's what makes a Subaru, a Subaru.

