

2013

SILVERADO



A landscape of rolling hills under a cloudy sky. A faint world map is overlaid on the image, centered on the Atlantic Ocean. The hills are brown and dry, suggesting a desert or semi-arid environment. The sky is filled with soft, white clouds, and the overall lighting is natural, suggesting daytime.

SEVEN BILLION PEOPLE. ONE ROAD.

Movement is the universal language of personal freedom. Our founder Louis Chevrolet spoke it fluently. As a Swiss immigrant, he came to America with a dream of racing cars. He wished for everyone – not just the rich or entitled – to experience the exhilaration he felt behind the wheel.

In 1911, he began building his first car. One hundred years later, a new Chevrolet is sold every 6.6 seconds. That amounts to 4.76 million vehicles in more than 140 countries – more than Louis Chevrolet could ever have imagined.

The depth of our heritage and passion is evident in everything we do here at Chevrolet. It's ingrained in the bold design, spirited performance, proven durability and exceptional value our drivers enjoy. It empowers us to be leaders in innovation. And it inspires us to continuously raise the bar – today, tomorrow and into what promises to be a bright future.

Currently, we are pioneering new propulsion technologies to meet the demanding energy and environmental needs of a global automotive brand. We're also employing alternative energy sources and investing in fuel-saving technologies to help reduce our carbon footprint with the goal of reducing 8 million metric tons of carbon dioxide emissions over the next few years.

Our global reach is expanding, yet our mission remains the same. We want every customer to feel like family – no matter where you are in the world. And no matter where you're going, we want you to enjoy the ride in a Chevrolet.

From the vision of one to the journey of many, Chevy Runs Deep.

Silverado 1500 Crew Cab LTZ 4x4
shown in Silver Ice Metallic with
available Z71 Off-Road Package.





Silverado 1500 Crew Cab LTZ 4x4
shown in Silver Ice Metallic
with available Z71 Off-Road Package.

MOST DEPENDABLE

LONGEST-LASTING FULL-SIZE PICKUPS ON THE ROAD¹

When you build a truck that works, word gets around. All across this land, you'll see Chevy Silverado carrying the weight, working the family farms, getting the job done. We're proud to make the long-lasting, dependable trucks you can believe in.

12 MODELS

It's easy to get the Silverado that's right for your needs with a choice of Regular Cab, Extended Cab or Crew Cab models, all available in 2WD or 4x4 versions.

AVAILABLE 403-HORSEPOWER V8

Silverado powertrain choices include an available Vortec™ 6.2L V8 that generates 403 horsepower and 417 lb.-ft. of torque. An advanced 6-speed automatic transmission is standard on all Vortec 5.3L and 6.2L V8 models.

TOWS 10,700 LBS.

Extended Cab models can haul 1,908 lbs. of payload² or tow 10,700 lbs.³ using the available MAX Trailering Pack. The 2013 Silverado also features Trailer Sway Control,⁴ Hill Start Assist⁴ and Cruise Grade Braking⁵

THE BEST COVERAGE

To guarantee the quality, the 2013 Silverado is backed by a 100,000-mile/5-year⁶ Powertrain Limited Warranty, along with Roadside Assistance and Courtesy Transportation programs. It's the best coverage of any full-size pickup.

¹ Dependability based on longevity: 1981–July 2011 full-size pickup registrations. ² Maximum payload capacity includes weight of driver, passengers, optional equipment and cargo. ³ Maximum trailer weight ratings are calculated assuming a base vehicle, except for any option(s) necessary to achieve the rating, plus driver. The weight of other optional equipment, passengers and cargo will reduce the maximum trailer weight your vehicle can tow. See your Chevy dealer for additional details. ⁴ Not available on Silverado Hybrid (available at participating dealers). ⁵ Not available on Silverado Hybrid or with 4-speed automatic transmission. ⁶ Whichever comes first. See dealer for details.



Vortec 5.3L V8 engine.

MOST POWERFUL V8 ENGINES IN SILVERADO HISTORY

Select from a 4.8L V8 with 302 horsepower, a 315-horsepower 5.3L V8 or the 332-horsepower hybrid 6.0L V8. If you want to take the ultimate power trip, step up to the available Vortec 6.2L V8 that generates 403 horsepower and 417 lb.-ft. of torque. It's our most powerful half-ton ever.

Vortec V8 engines feature technologies such as Active Fuel Management™ with patented cylinder deactivation and Variable Valve Timing (VVT) that optimize both performance and efficiency for the Silverado driver. The Vortec 5.3L and 6.2L V8s are teamed with a Hydra-Matic® 6-speed automatic transmission with a “steep” first gear that maximizes acceleration and a “tall” overdrive top gear for quiet, low-rpm highway cruising.

Silverado 1500 offers another important option: E85 capability. The Vortec 4.8L, 5.3L and 6.2L V8 engines can operate on either E85¹, regular unleaded gasoline or any combination of both.

ENGINE	HP @ RPM	LB.-FT. TORQUE @ RPM	STANDARD TRANSMISSION
Vortec 4.3L V6	195 @ 4600	260 @ 2800	Hydra-Matic 4-Speed Automatic Overdrive
Vortec 4.8L V8	302 @ 5600	305 @ 4600	Hydra-Matic 4-Speed Automatic Overdrive
Vortec 5.3L V8	315 @ 5200	335 @ 4000	Hydra-Matic 6-Speed Automatic Overdrive
Vortec 6.0L V8 (Hybrid ² only)	332 @ 5100	367 @ 4100	Hybrid-Specific
Vortec 6.2L V8	403 @ 5700	417 @ 4300	Hydra-Matic 6-Speed Automatic Overdrive

¹ Go to chevy.com/biofuels to see if there is an E85 fuel station near you. ² Available at participating dealers.

21 MPG HWY UNSURPASSED V8 EFFICIENCY

The available Vortec 5.3L engine in Silverado 1500 offers V8 fuel efficiency that's unsurpassed in its class¹ – an EPA-estimated 15 MPG city/21 highway when running on gasoline. Silverado XFE, with an aluminum-block Vortec 5.3L V8 and soft tonneau cover, offers an impressive EPA-estimated 15 MPG city/22 highway when running on gasoline.



¹ Based on GM Large Pickup segment and EPA-estimated MPG (city/highway): Silverado with available 5.3L V8 engine 15/21.

Silverado 1500 Crew Cab XFE shown in Black with available features and dealer-installed Chevy Accessories.

Silverado Hybrid¹ 2HY 4x4
shown in Silver Ice Metallic.



Silverado Hybrid¹ – America's first 2-mode hybrid pickup – offers the best city MPG of any full-size pickup, an EPA-estimated 20 MPG. With 332 horsepower and 367 lb.-ft. of torque, you get up to 6,100 lbs. of towing power (2WD)²

¹ Available at participating dealers. Production ends December 2012. ² Maximum trailer weight ratings are calculated assuming a base vehicle, except for any option(s) necessary to achieve the rating, plus driver. The weight of other optional equipment, passengers and cargo will reduce the maximum trailer weight your vehicle can tow. See your Chevy dealer for additional details.

MAX TRAILERING PACK

The MAX Trailering Pack, available with the Vortec 6.2L V8, gives Extended Cab models the capability to tow up to 10,700 lbs.¹ (10,600 lbs. on Crew Cab models).

CRUISE GRADE BRAKING²

This advanced system automatically downshifts the 6-speed automatic transmission to help slow the truck and preserve brake pads on long, steep descents. An available trailer brake controller is fully integrated with the antilock brake system (ABS).

AUTOMATIC LOCKING REAR DIFFERENTIAL

This GM segment-exclusive feature — available on 2WD and 4x4 models — directs power to the wheel that has the most traction on loose gravel or slippery road surfaces.

REAR VISION CAMERA

For easier trailer hookups, opt for the rear vision camera. The display is either integrated into the rearview mirror or the available navigation system.

¹ Maximum trailer weight ratings are calculated assuming a base vehicle, except for any option(s) necessary to achieve the rating, plus driver. The weight of other optional equipment, passengers and cargo will reduce the maximum trailer weight your vehicle can tow. See your Chevy dealer for additional details. ² Not available on Hybrid models.

Silverado 1500 Crew Cab LTZ 4x4 shown in Silver Ice Metallic with available dealer-installed Chevy Accessories.

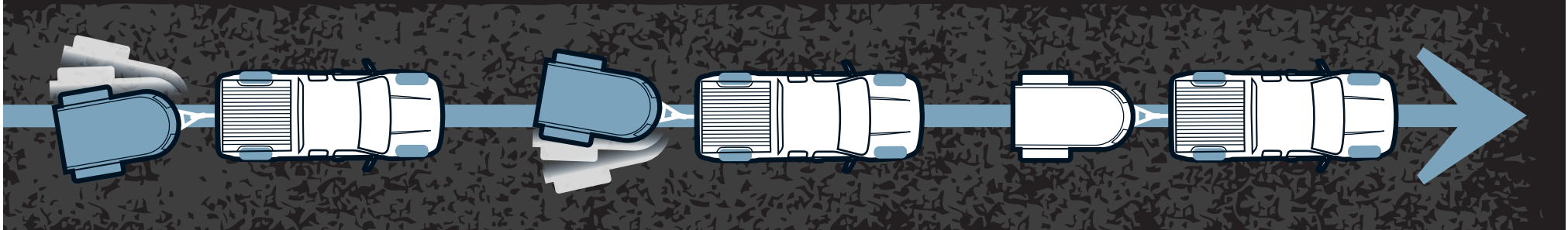
TOW/HAUL MODE

Standard Tow/Haul mode¹ adjusts the shift schedule on the automatic transmission so it isn't "hunting" for the correct gear while towing or hauling.



STABILITRAK WITH TRAILER SWAY CONTROL

The StabiliTrak[®] Electronic Stability Control System works in conjunction with Trailer Sway Control¹ to help you keep your vehicle – and your trailer – on the path being steered by sensing a loss of lateral traction and responding by adjusting the engine output and brakes accordingly. And when you're trailering on hilly terrain, Hill Start Assist¹ holds the truck stationary for about a second after the brake is released, giving you time to accelerate before the truck can roll backward.



¹Not available on Hybrid models.

1500 CONVENTIONAL TRAILERING¹

Weight-carrying hitch limit: 5,000-lb. trailer with 600-lb. tongue weight. Z85 Handling/Trailer suspension or Z71 Off-Road suspension and a weight-distributing hitch with sway control required over 5,000-lb. trailer weight. Please read the Trailering Basics on the next page before towing a trailer with any Chevy truck.

ENGINE	AXLE RATIO	GCWR ²	REGULAR CAB				EXTENDED CAB				CREW CAB	
			STANDARD BOX 2WD	LONG BOX 2WD	STANDARD BOX 4x4	LONG BOX 4x4	STANDARD BOX 2WD	LONG BOX 2WD	STANDARD BOX 4x4	LONG BOX 4x4	SHORT BOX 2WD	SHORT BOX 4x4
Vortec 4.3L V6	3.73	10,000	5,400	5,200	5,100	4,900	-	-	-	-	-	-
	3.23	9,500	4,800	4,700	-	-	4,400	-	-	-	-	-
Vortec 4.8L V8	3.73	12,000	7,200	7,100	-	-	6,700	-	-	-	6,700	-
	3.42	11,000	-	-	6,000	5,800	-	-	5,500	-	-	5,500
	3.23	10,000	-	5,100	-	-	4,700	-	-	-	4,700	-
	3.23	9,500	4,700	-	-	-	-	-	-	-	-	-
Vortec 5.3L V8 with Heavy-Duty Cooling Package	3.42	15,000	-	10,000	-	9,800	9,700	9,500	9,600	9,300	9,600	9,500
	3.42	14,000	9,100	-	8,900	-	-	-	-	-	-	-
	3.08	12,200	7,400	7,200	7,100	7,000	6,900	6,700	6,800	6,500	6,900	6,700
Vortec 5.3L V8 XFE	3.08	12,200	-	-	-	-	-	-	-	-	7,000	-
Vortec 5.3L V8	3.08	11,500	6,600	6,500	6,400	6,300	6,200	6,000	6,100	5,800	6,200	6,000
Vortec 6.0L V8 Hybrid	3.08	12,000	-	-	-	-	-	-	-	-	6,100	5,900
Vortec 6.2L V8 with MAX Trailering Pack	3.73	16,000	-	-	-	-	10,700	-	10,400	-	10,600	10,400
Vortec 6.2L V8	3.42	15,000	-	-	-	-	9,700	-	9,400	-	9,700	9,400

1500 FIFTH-WHEEL TRAILERING¹

Fifth-wheel trailering with a Silverado 1500 requires Z85 Handling/Trailer suspension or Z71 Off-Road suspension. Please read the Trailering Basics on the next page before towing a trailer with any Chevy truck.

ENGINE	AXLE RATIO	GCWR ²	REGULAR CAB			EXTENDED CAB			
			LONG BOX 2WD	STANDARD BOX 4x4	LONG BOX 4x4	STANDARD BOX 2WD	LONG BOX 2WD	STANDARD BOX 4x4	LONG BOX 4x4
Vortec 5.3L V8 with Heavy-Duty Cooling Package	3.42	15,000	8,900	-	9,700	9,400	9,000	9,600	8,100
	3.42	14,000	-	8,200	-	-	-	-	-
Vortec 6.2L V8 with MAX Trailering Pack	3.73	16,000	-	-	-	10,600	-	10,300	-
Vortec 6.2L V8	3.42	15,000	-	-	-	9,400	-	9,100	-

¹ Maximum trailer weight ratings are calculated assuming a base vehicle, except for any option(s) necessary to achieve the rating, plus driver. The weight of other optional equipment, passengers and cargo will reduce the maximum trailer weight your vehicle can tow. See your Chevy dealer for additional details. ² Gross Combination Weight Rating. NOTE: Trailer tongue weight should be 10% to 15% of total loaded trailer weight. Trailer kingpin weight should be 15% to 25% of total loaded trailer weight. Addition of trailer tongue weight/trailer kingpin weight cannot cause vehicle weights to exceed Rear Gross Axle Weight Rating (RGAWR) or Gross Vehicle Weight Rating (GVWR). These ratings can be found on the certification label located on the driver door or doorframe. Fifth-wheel hitch is available as a dealer-installed accessory on select models. See the Trailering Basics on the next page for more trailering information.

MAXIMUM PAYLOAD¹

ENGINE	GVWR ²	REGULAR CAB				EXTENDED CAB				CREW CAB	
		STANDARD BOX 2WD	LONG BOX 2WD	STANDARD BOX 4x4	LONG BOX 4x4	STANDARD BOX 2WD	LONG BOX 2WD	STANDARD BOX 4x4	LONG BOX 4x4	SHORT BOX 2WD	SHORT BOX 4x4
Vortec 4.3L V6	6,400	1,940	1,804	1,714	1,549	1,515	-	-	-	-	-
	7,000	-	-	-	-	-	-	1,726	-	-	1,659
Vortec 4.8L V8	6,800	-	-	-	1,827	1,783	-	-	-	1,701	-
	6,400	1,810	1,676	1,598	-	-	-	-	-	-	-
Vortec 5.3L V8	7,000	-	-	-	-	-	-	1,794	1,513	-	1,712
	6,900	-	-	-	-	-	1,641	-	-	-	-
	6,800	-	-	-	1,794	1,755	-	-	-	1,634	-
	6,400	1,757	1,635	1,550	-	-	-	-	-	-	-
Vortec 5.3L V8 XFE	6,700	-	-	-	-	-	-	-	-	1,648	-
Vortec 6.0L V8 Hybrid	7,300	-	-	-	-	-	-	-	-	-	1,509
	7,100	-	-	-	-	-	-	-	-	1,527	-
Vortec 6.2L V8 with MAX Trailering Pack	7,300	-	-	-	-	-	-	-	-	-	1,890
	7,200	-	-	-	-	-	-	1,835	-	-	-
	7,100	-	-	-	-	-	-	-	-	1,937	-
	7,000	-	-	-	-	1,908	-	-	-	-	-
Vortec 6.2L V8	7,000	-	-	-	-	-	-	1,671	-	-	1,626
	6,800	-	-	-	-	1,747	-	-	-	1,675	-

TRAILERING BASICS

NOTE: Towing a trailer involves all major vehicle systems of your Chevy truck. Easy and safe trailering requires a properly equipped vehicle, additional trailering equipment and an appropriate trailer. It also requires loading both the vehicle and trailer properly, using safe driving techniques, meeting regional legal requirements, and following break-in and maintenance schedules. The vehicle owner is responsible for obtaining the proper equipment (hitch ball, hitch type of the proper size and capacity) required to safely tow both the trailer and the load that will be towed. For more information, consult your Owner's Manual or speak to a trailering expert at your Chevrolet dealership. These charts will assist in determining how to best equip your Chevy truck for trailering. To help you understand the charts, consider these trailering factors:

RGAWR AND GVWR: Addition of trailer hitch weight cannot cause vehicle weights to exceed Rear Gross Axle Weight Rating (RGAWR) or Gross Vehicle Weight Rating (GVWR). These ratings can be found on the certification label located on the driver door or doorframe.

GCWR: The Gross Combination Weight Rating is the total allowable weight of the completely loaded vehicle and trailer.

TRAILER WEIGHT RATING: This rating is determined by subtracting the tow vehicle's weight (curb weight) from the GCWR. Base vehicle (curb) weight is used, so additional passenger, equipment and cargo weight reduces this rating.

NOTE: The safety steps described here are by no means the only precautions to be taken when trailering. See the Owner's Manual for your Chevy Silverado for additional guidelines and trailering tips.

TRAILERING CAUTION: If you don't use the correct equipment and drive properly, you can lose control of your vehicle when you pull a trailer. If the trailer is too heavy, your vehicle brakes may be less effective. You and your passengers could be seriously injured. Pull a trailer only after you have taken the following steps:

TRAILER BRAKES: If your trailer weighs 2,000 lbs. loaded, then it must have its own adequate brakes. Be sure to read and follow the instructions for the trailer brake controller so that it is installed, adjusted and maintained properly.

HITCHES: It's important to have the correct hitch equipment. If you'll be towing a trailer, be sure to use a frame-mounted, weight-distributing hitch and sway control of the proper size. If you have to make any holes in the body of your vehicle to install a trailer hitch, be sure to seal the holes if you ever remove the hitch. If they're not sealed, dirt, water and deadly carbon monoxide from the exhaust can get into your vehicle.

GOOSENECK/FIFTH-WHEEL TRAILERING: Some Silverado models can be equipped with a fifth-wheel or gooseneck trailer hitch. Follow the manufacturer's directions for installation, but note that the hitch must be attached to the truck frame. Do not use the pickup bed for additional support. For proper kingpin tongue load distribution and control of the trailer, the hitch must be mounted so the kingpin load is placed ahead of the rear axle centerline. Fifth-wheel trailer kingpin loads are higher than conventional trailer tongue loads, so pay careful attention to the truck's payload capacity and rear axle weight ratings. Your Chevy dealer can help you calculate the maximum allowable payload and GVWR required for your fifth-wheel trailering application. The weight of any additional equipment and all passengers other than the driver must be subtracted from the payload weight to determine the maximum kingpin load available.

¹ Maximum payload capacity includes weight of driver, passengers, optional equipment and cargo. ² Gross Vehicle Weight Rating (GVWR). When properly equipped; includes vehicle, passengers, cargo and equipment.

DREAM BUILDER



If you're restoring a '70 Chevelle to concours condition, you work from the ground up. And if you're building a great truck, you start with a solid foundation. Every Silverado features a hydroformed front frame. Hydroforming – the injection of hydraulic fluids under extreme high pressure to reform metal into curved shapes – allows for fewer welds and better fits. The front portion of the frame is fully boxed for extra rigidity. The rear portion of the Silverado frame is fully boxed all the way to the spare tire cross member, where it becomes a C-channel. The result? A Crew Cab can haul up to 1,937 lbs. of payload¹ with the available MAX Trailering Pack.

Silverado 1500 Extended Cab LT 4x4 shown in Deep Ruby Metallic with available Custom Sport Truck Package and dealer-installed Chevy Accessories.

¹ Maximum payload capacity includes weight of driver, passengers, optional equipment and cargo.

DURABLE BEDLINER

Help protect the bed of your Silverado with an available Bedliner, complete with a Tailgate Liner, from Chevy Accessories.



TWO-TIER LOADING CAPABILITY

Silverado was built for work with a stamped pickup box that includes stake pockets, two-tier loading capability and four cargo tie-downs for convenience and utility. And the tailgate can be lowered or removed for longer loads.





Silverado 1500 Crew Cab LTZ interior shown in Light Cashmere-Color/Dark Cashmere-Color with available features.



ROOM FOR EVERYTHING

LTZ has the room and functionality you want with a cavernous center console, front and rear storage areas, and a one-hand flip-up rear bench seat on Crew Cab and Extended Cab models.



HEATED AND COOLED FRONT SEATS

Heated and cooled, leather-appointed front bucket seats with 12-way power adjusters are available on LTZ.



POWER-ADJUSTABLE PEDALS

Find your perfect driving position with power-adjustable accelerator and brake pedals. This unexpected luxury is standard on LTZ and available on LT. An adjustable steering column is standard on all models.



DUAL-ZONE AUTOMATIC CLIMATE CONTROLS

Standard on LTZ and available on LT, dual-zone automatic climate controls provide customized comfort for you and your front-seat passengers.

Silverado 1500 LTZ interior shown in Light Cashmere-Color/Dark Cashmere-Color with available features.





01

ONSTAR DIRECTIONS & CONNECTIONS[®] PLAN

In most crashes, built-in sensors can automatically alert an OnStar[®]1 Advisor, who is immediately connected into your vehicle. Turn-by-Turn Navigation offers voice-guided directions at the touch of a button. It's all standard on many models for six months.



02

BLUETOOTH

Make, answer and end calls without taking your hands off the wheel or your eyes from the road. Just tap the steering wheel-mounted controls and you're in touch. Bluetooth[®] wireless technology² for select phones is standard on LTZ and available on all other models.



03

CHEVROLET WI-FI BY AUTONET MOBILE

Stay connected in your Silverado the easy way with dealer-installed Autonet Mobile³ Wi-Fi. The signal is accessible for multiple devices simultaneously in the truck and up to 150 feet away.

¹ Visit onstar.com for coverage map, details and system limitations. Services vary by model and conditions. OnStar acts as a link to existing emergency service providers. ² Go to gm.com/bluetooth to find out which phones are compatible with the vehicle. ³ Monthly rates apply. Visit autonetmobile.com for details and coverage map.



04

TOUCH-SCREEN NAVIGATION

The available touch-screen navigation system displays maps and information to help you find your way. Plus a 3-month trial of SiriusXM NavTraffic¹ with a Map View feature allows you to receive detailed traffic information.



05

MEDIA SCREEN

You can listen to music from your choice of a 30 GB hard drive, CDs, an MP3 player or a 3-month trial of SiriusXM Satellite Radio.¹ An available USB port² also allows you to customize your tunes from an iPod³ or a music-loaded flash drive.



06

REAR VISION CAMERA

The available rear vision camera display, integrated into the navigation screen, features guidelines to help direct you into spaces and provides a clear view for trailer hookups.

¹ If you subscribe after your trial period, subscriptions are continuous until you call SiriusXM to cancel. See SiriusXM Customer Agreement for complete terms at siriusxm.com. Other fees and taxes will apply. All fees and programming subject to change. For more information about NavTraffic, visit siriusxm.com/navtraffic. XM satellite service is available only in the 48 contiguous United States and Washington, D.C. ² Not compatible with all devices. ³ iPod is a mobile digital device. iPod is a trademark of Apple Inc., registered in the U.S. and other countries.

Adventures await. The available Z71 Off-Road Package has what it takes to get you there with 46mm shocks, off-road jounce bumpers and an automatic locking rear differential. Order the Z71 Appearance Package, shown here, for the bold look to match this legendary capability. The Z71 Appearance Package includes all the features listed below.

Silverado 1500 Extended Cab LTZ 4x4 shown in Victory Red with available Z71 Appearance Package.

01

RANCHO SHOCKS

These heavy-duty shock absorbers are specifically designed for off-road use.

02

UNIQUE INTERIOR STYLING

A gauge cluster with the look of carbon fiber and bright aluminum doorsill plates add a custom touch.

03

18" ALUMINUM WHEELS

Massive 18" aluminum wheels and rugged all-terrain tires are exclusive to Z71.

04

UNIQUE EXTERIOR STYLING

A body-color grille with chrome insert, body-color outside rearview mirrors and body-color exterior door handles set Silverado Z71 Appearance Package apart. Foglamps and chrome recovery hooks are also featured.



YOU'RE DEPENDABLE

SO IS YOUR CHEVY



Silverado 1500 All-Star Edition Extended Cab LT 4x4 shown in Blue Granite Metallic with available features.



Silverado Extended Cab rear doors swing open a full 170 degrees – the widest of any full-size pickup. And the bed has a low load-in height to help you get the job done.

CHEVY ACCESSORIES¹



STATIONARY TOOL BOX

This available diamond-pattern aluminum Tool Box can hold up to 250 lbs. It features a removable sliding tray with rubber mat and a one-touch latching mechanism.

BED RAIL PROTECTORS

You're not afraid of a hard day's work and neither is Silverado HD. Available Molded Bed Rail Protectors are designed to keep your Silverado HD looking new after the job is done.

¹ Chevy Accessories are dealer-installed and covered by the GM 3-year/36,000-mile (whichever comes first) New Vehicle Limited Warranty when ordered with your new Silverado HD. See your dealer for details.

3500HD Extended Cab LT 4x4 shown in Black with available features and dealer-installed Chevy Accessories.



SOFT FOLDING TONNEAU COVER

The available Soft Folding Tonneau Cover keeps cargo box contents out of sight and improves aerodynamics at highway speeds.

3500HD Extended Cab LT 4x4 shown in Black with available features and dealer-installed Chevy Accessories.



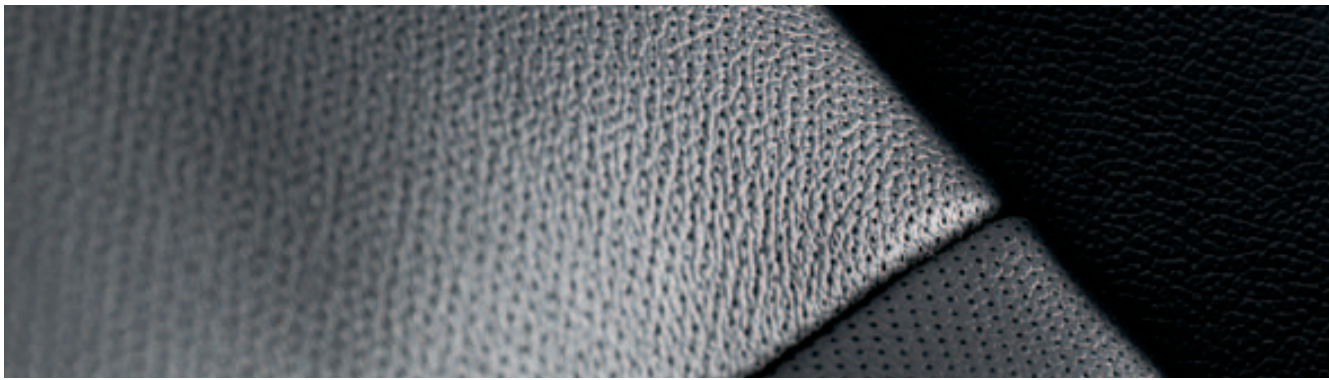
ASSIST STEPS

Tubular Assist Steps are available with either chrome (shown) or black powder coat finish.



SPLASH GUARDS

Available molded Splash Guards are designed to shield your truck from tire splash and mud.



Dark Titanium-Color Vinyl¹



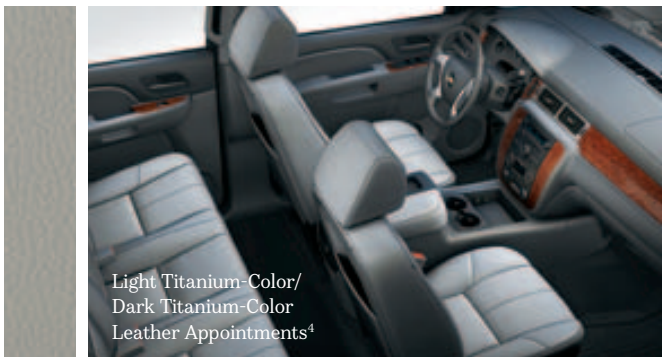
Light Titanium-Color/
Dark Titanium-Color Cloth²



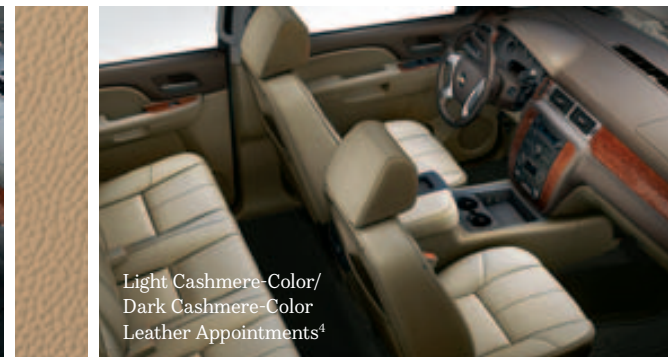
Light Cashmere-Color/
Dark Cashmere-Color Cloth²



Ebony Cloth³



Light Titanium-Color/
Dark Titanium-Color
Leather Appointments⁴



Light Cashmere-Color/
Dark Cashmere-Color
Leather Appointments⁴



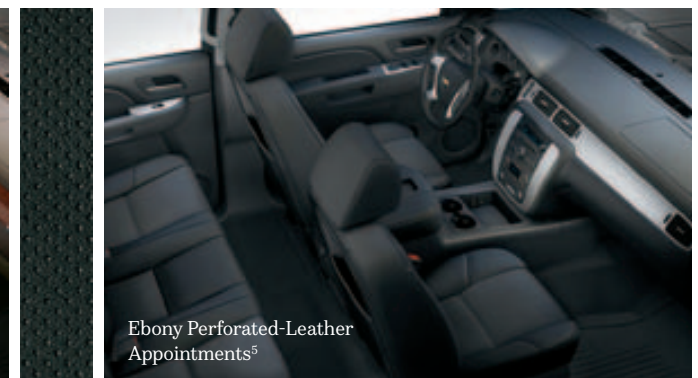
Ebony Leather Appointments⁴



Light Titanium-Color/
Dark Titanium-Color
Perforated-Leather Appointments⁵



Light Cashmere-Color/
Dark Cashmere-Color
Perforated-Leather Appointments⁵



Ebony Perforated-Leather
Appointments⁵

1 Standard on WT. 2 Standard on LT and XFE. 3 Standard on LS, LT (shown) and XFE; available on WT. 4 Standard on LTZ (shown); available on LT and XFE. 5 Available on LTZ.



Black



Blue Topaz Metallic^{1,2}



Blue Granite Metallic²



Deep Ruby Metallic



Victory Red



Mocha Steel Metallic^{1,2}



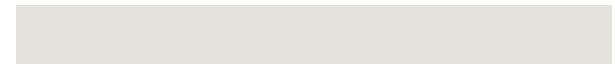
Graystone Metallic¹



Silver Ice Metallic



White Diamond Tricoat³



Summit White



17" Steel Wheel
(standard on WT)

17" Chrome-Styled
Steel Wheel
(standard on
LT and LS;
available on WT)

17" Aluminum
Wheel
(standard on XFE;
available on
LT and LTZ)

18" Aluminum
Wheel
(requires available
Z71 Off-Road
Package)

18" Chrome-Clad
Aluminum Wheel
(standard on
LTZ and Hybrid)

20" Chrome-Clad
Aluminum Wheel
(available on
LTZ and LT)

¹ Requires Crew Cab model on LTZ. ² Not available with Custom Sport Truck Package or Z71 Appearance Package. ³ Requires available White Diamond Edition. Not available with Dark Titanium-Color interior.

SELECT VEHICLE FEATURES



SILVERADO WT (REGULAR CAB, EXTENDED CAB, CREW CAB)

Vortec 4.3L V6 engine with 4-speed automatic transmission
(Regular Cab and Extended Cab Standard Box)

Vortec 4.8L V8 engine with 4-speed automatic transmission (Crew Cab)

Vortec 5.3L V8 engine with 6-speed automatic transmission (Extended Cab Long Box)

Black front bumper and step-style chrome rear bumper with step pad

Black door handles, grille surround and folding mirrors

Two front recovery hooks (4x4)

17" steel wheels

Power rack-and-pinion steering

Independent coil-over-shock front suspension and 2-stage, semi-elliptical
multileaf rear springs

Solid Smooth Ride suspension

Floor-mounted, manual shift-on-the-fly transfer case (4x4)

Air bags:¹ Driver and right-front passenger with Passenger Sensing System;
head-curtain side-impact for all outboard passengers with rollover sensor;
front seat-mounted for thorax and pelvic protection

4-wheel antilock brakes (ABS)

StabiliTrak Electronic Stability Control System with Trailer Sway Control
and Hill Start Assist

Single-zone manual climate control

Driver Information Center

Dual glove boxes

Tilt-wheel adjustable steering column

Vinyl 40/20/40 front split-bench seat with recliners and fold-down center armrest
with storage

AM/FM stereo

Flip-up, full-width rear bench seat (Extended Cab models)

Flip-up, 60/40 rear split-bench seat (Crew Cab models)

Power door locks with Remote Keyless Entry (Crew Cab models)



¹ Always use safety belts and the correct restraint for your child's age and size. Even in vehicles equipped with the Passenger Sensing System, children are safer when properly secured in a rear seat in the appropriate infant, child or booster seat. Never place a rear-facing infant restraint in the front seat of any vehicle equipped with a passenger air bag. See the Owner's Manual and the child safety seat instructions for more safety information.

SELECT VEHICLE FEATURES



SILVERADO LS (EXTENDED CAB, CREW CAB)

In addition to or replacing WT features, LS includes:

Vortec 4.8L V8 engine with 4-speed automatic transmission

Front chrome bumper with chrome end caps

Chrome grille surround with chrome mesh

Black folding, power-adjustable, heated mirrors

17" chrome-styled steel wheels

Heavy-Duty Handling/Trailer Suspension

OnStar¹ Directions & Connections Plan standard for the first six months

Power door locks with Remote Keyless Entry

Power windows with driver express-down feature; full-drop rear

Cloth 40/20/40 front split-bench seat with recliners, manual lumbar support and fold-down center armrest with storage

AM/FM stereo with CD/MP3 player

SiriusXM Satellite Radio² with three trial months

Solar-Ray[®] deep-tinted glass for all rear windows



SILVERADO LT (REGULAR CAB, EXTENDED CAB, CREW CAB)

In addition to or replacing LS features, LT includes:

Vortec 4.8L V8 engine with 4-speed automatic transmission (Regular Cab, Extended Cab Standard Box, Crew Cab)

Vortec 5.3L V8 engine with 6-speed automatic transmission (Extended Cab Long Box)

Autotrac[®] active transfer case (4x4)

Premium Cloth 40/20/40 front split-bench seat with recliners, manual lumbar support, fold-down center armrest with storage and lockable underseat storage

Leather-wrapped steering wheel

Visors with driver and passenger-side illuminated vanity mirrors



¹ Visit onstar.com for coverage map, details and system limitations. Services vary by model and conditions. ² If you subscribe after your trial period, subscriptions are continuous until you call SiriusXM to cancel. See SiriusXM Customer Agreement for complete terms at siriusxm.com. Other fees and taxes will apply. All fees and programming subject to change. XM satellite service is available only in the 48 contiguous United States and Washington, D.C.

SELECT VEHICLE FEATURES



SILVERADO XFE (CREW CAB)

In addition to or replacing LT features, XFE includes:

Vortec 5.3L V8 engine with 6-speed automatic transmission

17" aluminum wheels

Soft tonneau cover

Heavy-duty external engine oil cooler

Auxiliary heavy-duty external transmission fluid cooler

Automatic locking rear differential

Trailer Package: Trailer hitch platform, 7-wire harness mated to 7-way sealed connector, trailer brake control jumper harness under dash and external transmission fluid cooler

Rear-window electric defogger



SILVERADO LTZ (EXTENDED CAB, CREW CAB)

In addition to or replacing XFE features, LTZ includes:

Body-color front bumper, door handles and grille with chrome mesh

Foglamps

Body-color, heated power mirrors with turn signal indicators, driver-side auto-dimming feature and power-folding feature

18" chrome-clad aluminum wheels

Dual-zone automatic climate control

Auto-dimming inside rearview mirror

Remote vehicle starter system

Custom Leather-appointed, reclining, heated, 10-way power-adjustable front bucket seats with memory and power lumbar support

AM/FM stereo with CD/MP3 player and USB port¹

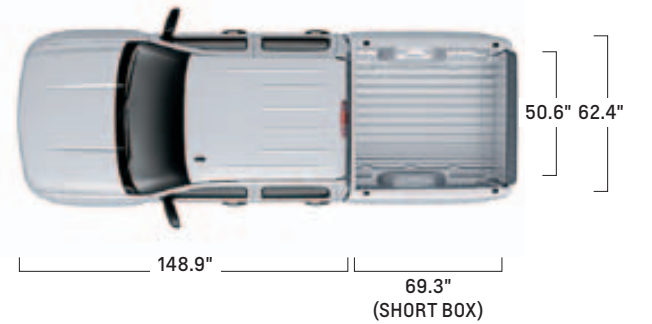
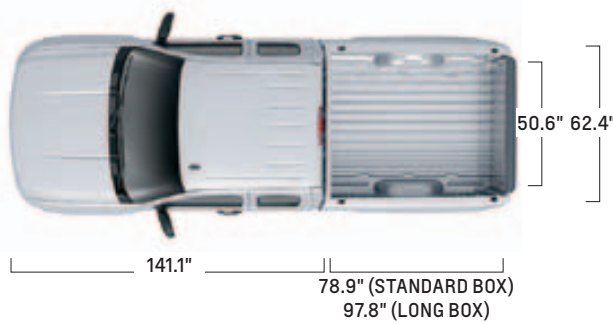
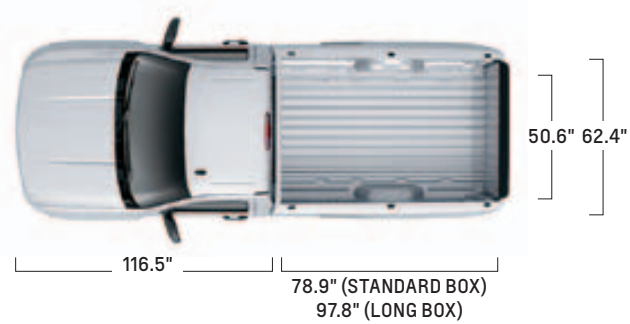
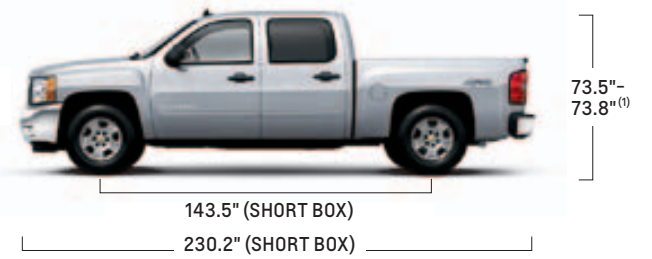
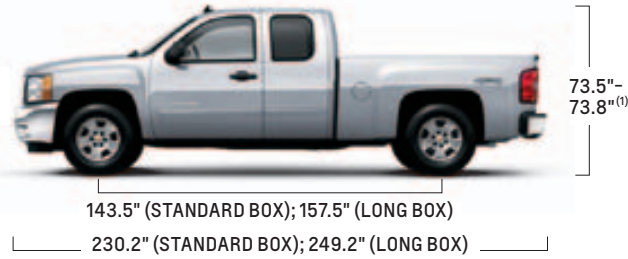
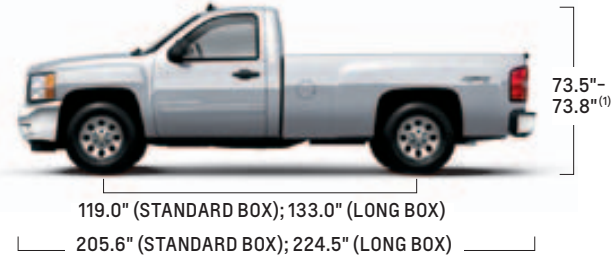
Bose[®] sound system

Bluetooth[®] wireless technology² for select phones



¹ Not compatible with all devices. ² Go to gm.com/bluetooth to find out which phones are compatible with the vehicle.

DIMENSIONS



POWERTRAIN

■ STANDARD □ AVAILABLE – NOT AVAILABLE

ENGINE	HORSEPOWER @ RPM	LB.-FT. TORQUE @ RPM	STANDARD TRANSMISSION	E85 FLEXFUEL CAPABILITY ²	2WD EPA (CITY/HWY/ COMBINED) MPG	4x4 EPA (CITY/HWY/ COMBINED) MPG	REGULAR CAB	EXTENDED CAB	CREW CAB
Vortec 4.3L V6	195 @ 4600	260 @ 2800	Hydra-Matic 4-speed automatic overdrive	-	15/20/17	14/18/15	■	■	-
Vortec 4.8L V8	302 @ 5600	305 @ 4600	Hydra-Matic 4-speed automatic overdrive	■	14/19/16	13/18/15	■	■	■
Vortec 5.3L V8	315 @ 5200	335 @ 4000	Hydra-Matic 6-speed automatic overdrive	■	15/21/17	15/21/17	■	■	■
Vortec 5.3L V8 (XFE)	315 @ 5200	335 @ 4000	Hydra-Matic 6-speed automatic overdrive	■	15/22/18	-	-	-	■
Vortec 6.0L V8 (Hybrid only)	332 @ 5100	367 @ 4100	Hybrid-specific	-	20/23/21	20/23/21	-	-	■
Vortec 6.2L V8	403 @ 5700	417 @ 4300	Hydra-Matic 6-speed automatic overdrive	■	13/18/14	12/18/14	-	■	■

¹ Depending on model and tire size selected. ² Go to chevy.com/biofuels to see if there is an E85 fuel station near you. When running on E85, Silverado 1500 with 4.8L V8 engine offers an EPA-estimated 10 MPG city/14 highway; Silverado 1500 with 5.3L V8 engine offers an EPA-estimated 11 MPG city/16 highway; and Silverado 1500 with 6.2L V8 engine offers an EPA-estimated 9 MPG city/13 highway.

SPECIFICATIONS

■ STANDARD □ AVAILABLE – NOT AVAILABLE

	WT	LS ¹	LT	XFE ²	LTZ ¹
EXTERIOR					
Chrome Essentials Package: ¹ Polished exhaust tip; chrome recovery hooks, door handles and mirror caps; 18" chrome-clad aluminum wheels; and chrome tubular assist steps	–	–	□ ³	–	□ ³
Custom Sport Truck Package: ⁴ Vortec 5.3L V8 engine, 20" chrome-clad aluminum wheels, chrome mirror caps and door handles, dual-zone automatic climate controls, Bluetooth® wireless technology ⁵ for select phones, steering wheel-mounted audio controls, AM/FM stereo with CD/MP3 player and USB port ⁶ ; 6-way power-adjustable driver seat, foglamps, Trailing Package, EZ Lift locking tailgate, and chrome-accented bodyside moldings	–	–	□	–	–
Foglamps: Halogen	–	–	□ ⁷	□ ⁸	■
LS Package: ⁹ 17" chrome-styled steel wheels and chrome grille surround, grille mesh, front bumper and end caps	□	–	–	–	–
LTZ Plus Package: EZ Lift locking tailgate, Universal Home Remote, Rear Park Assist, power-adjustable pedals and rear Wheel House Liners from Chevy Accessories	–	–	–	–	□
Mirrors: Black, folding, power-adjustable, heated	□ ¹⁰	■	■	■	–
Black, trailing, high-visibility vertical, manual-folding and extendable, with lower convex spotter glass	□	–	–	–	–
Black, trailing, high-visibility vertical, power-adjustable, heated, manual-folding and extendable, with turn signal indicators and lower convex spotter glass	–	–	□ ¹¹	□ ¹¹	□
On The Job Package: Bed Rail Protectors, Bedliner and Bed-Mounted Tie-Down Hooks from Chevy Accessories	□	□	□	–	□
Protection Package: ¹² Bed Rail Protectors and rear Wheel House Liners from Chevy Accessories	□	□	□	□	□
White Diamond Edition: ² White Diamond Tricoat exterior color; chrome mirror caps and door handles and chrome-accented bodyside moldings; LTZ also includes 20" chrome-clad aluminum wheels, chrome recovery hooks and polished exhaust tip	–	–	□ ¹³	–	□ ¹⁴

¹ Extended and Crew Cab models only. ² Crew Cab models only. ³ Not available with Z71 Off-Road Package, MAX Trailing Pack or heated trailing mirrors. ⁴ Extended Cab models only. ⁵ Go to gm.com/bluetooth to find out which phones are compatible with the vehicle. ⁶ Not compatible with all devices. ⁷ Requires available All-Star Edition, Interior Plus Package, MAX Trailing Pack or Z71 Appearance Package. ⁸ Requires available Interior Plus Package. ⁹ Regular and Extended Cab models only. ¹⁰ Requires available Windows, Locks and Mirrors Power Package. ¹¹ Requires available auto-dimming inside rearview mirror. ¹² Not available on Extended Cab Long Box models. ¹³ Not available with Z71 Appearance Package, Chrome Essentials Package or trailing mirrors. ¹⁴ Not available with Vortec 6.2L engine, trailing mirrors, Z71 Off-Road suspension, Chrome Essentials Package or MAX Trailing Pack. ¹⁵ Requires Heavy-Duty Cooling Package or Vortec 6.2L V8 engine. ¹⁶ Requires available Heavy-Duty Cooling Package, Snow Plow Prep Package or Trailing Package. ¹⁷ Requires available Trailing Package. ¹⁸ Regular Cab models require available Trailing Package or Snow Plow Prep Package; Extended and Crew Cab models require available Trailing Package, Snow Plow Prep Package or Vortec 6.2L V8 engine. ¹⁹ Requires available 6-speed automatic transmission. ²⁰ Requires available 6-speed automatic transmission and Trailing Package. ²¹ Not available with Z71 Off-Road Package. ²² 2WD models require available Z71 Off-Road Package. ²³ Automatic locking rear differential not included on Fleet or Government vehicles. ²⁴ Not available with Vortec 4.3L V6 engine or Solid Smooth Ride suspension. ²⁵ Not available with Vortec 4.8L V8 engine; Regular Cab models also require available Trailing Package. ²⁶ Requires available Z71 Off-Road Package.

	WT	LS ¹	LT	XFE ²	LTZ ¹
ENGINES/CHASSIS					
All-Star Edition: ¹ Vortec 5.3L V8 engine, automatic locking rear differential, Trailing Package, 17" aluminum wheels, dual-zone automatic climate controls, Bluetooth wireless technology ⁵ for select phones, CD/MP3 player, USB port ⁶ ; steering wheel-mounted audio controls, 6-way power-adjustable driver seat and EZ Lift locking tailgate	–	–	□	–	–
Cooler: Engine oil, heavy-duty, external	□ ¹⁵	–	□ ¹⁵	■	■
Transmission fluid, auxiliary, heavy-duty, external	□ ¹⁶	□ ¹⁷	□ ¹⁸	■	■
Differential: Automatic locking rear	□	□	□	■	■
Engine block heater	□	□	□	□	□
Heavy-Duty Cooling Package: External engine oil cooler, auxiliary external transmission fluid cooler, electric fan and heavy-duty radiator	□ ¹⁹	–	□ ²⁰	■	■
MAX Trailing Pack: ^{1,21} Vortec 6.2L V8 engine, automatic locking rear differential, 9.5" rear axle, front/rear disc brakes, 3.73 rear axle ratio, 17" aluminum wheels, foglamps, Z85 Handling/Trailing suspension and Trailing Package	–	–	□	–	□
Skid Plate Package: ²² Frame-mounted shield protecting front underbody, oil pan, differential case and transfer case (4x4)	□	□	□	–	□
Snow Plow Prep Package: ⁹ 10-amp power for backup and roof emergency light, 160-amp alternator, forward lamp wiring harness, provision for cab roof-mounted lamp/beacon, instrument panel jumper wiring harness for electric trailer brake controller, high-capacity air cleaner, auxiliary external transmission fluid cooler and Skid Plate Package (4x4)	□	–	□	–	–
Trailing Package: Trailer hitch platform, 7-wire harness mated to 7-way sealed connector, trailer brake control jumper harness under dash, external transmission oil cooler and automatic locking rear differential ²³	□ ²⁴	□	□	■	■
Z71 Off-Road Package: Skid Plate Package; off-road jounce bumpers, shock absorbers and stabilizer bars; high-capacity air cleaner; and Z71 decals	–	–	□ ²⁵	–	□
Z71 Appearance Package: ¹ 18" aluminum wheels; foglamps; body-color outside mirrors and door handles; unique Z71 decals, instrument cluster graphics, body-color grille with chrome insert and sill plates; Rancho® shocks; and chrome recovery hooks	–	–	□ ²⁶	–	□ ²⁶

SPECIFICATIONS

■ STANDARD □ AVAILABLE – NOT AVAILABLE

	WT	LS ¹	LT	XFE ²	LTZ ¹
SAFETY & SECURITY					
OnStar ³ with Directions & Connections Plan	□ ⁴	–	–	–	–
OnStar ³ with Directions & Connections Plan for the first six months	–	■	■	■	■
Trailer brake controller: ABS-integrated ⁵	□	□	□	□	□
INTERIOR					
Convenience Package: ¹ Power-adjustable pedals, Rear Park Assist, rear-window defogger, Universal Home Remote and remote vehicle starter system	–	–	□	□	–
Defogger: Rear-window ^{1,6}	□	□	□	■	□
Door locks: Power with Remote Keyless Entry	□ ⁷	■	■	■	■
Interior Plus Package: 6-way power-adjustable driver seat, USB port ⁸ , steering wheel-mounted audio controls, Bluetooth wireless technology ⁹ for select phones, dual-zone automatic climate controls ¹⁰ , EZ Lift locking tailgate and foglamps	–	–	□ ¹¹	□	–
Mirror: Auto-dimming rearview	–	–	□ ¹²	□ ¹²	■
Rear vision camera ¹	–	–	□ ¹³	□ ¹⁴	□ ¹⁵
Sunroof: Power-sliding with express-open feature	–	–	–	–	□
Windows, Locks and Mirrors Power Package: Power driver and passenger windows with uplevel door panels, outside heated power-adjustable manual-folding mirrors and power door locks (Remote Keyless Entry sold separately)	□	–	–	–	–
Windows: Power with driver express-down feature	□ ¹⁶	■	■	■	■
Windows: Power-sliding, rear ^{1,17}	–	–	□	□	□
SEATING					
Cloth 40/20/40 front split-bench seat with manual recliners and lumbar support and fold-down center armrest with storage	□	■	–	–	–
Custom Leather-appointed 40/20/40 front split-bench seat with manual recliners and lumbar support, fold-down center armrest with storage and lockable underseat storage	–	–	□	□	–
Premium Cloth, 6-way power-adjustable front bucket seats with manual recliners and lumbar support	–	–	□	□	–
Also available with Custom Leather-appointed trim	–	–	□	□	–
Custom Leather-appointed, 12-way power-adjustable, heated and cooled front bucket seats with perforated inserts, include power lumbar support and memory	–	–	–	–	□

	WT	LS ¹	LT	XFE ²	LTZ ¹
AUDIO SYSTEMS					
AM/FM stereo with CD/MP3 player	□ ¹⁸	■	■	■	–
AM/FM stereo with CD/MP3 player and USB port ⁸	–	–	□ ¹⁹	□ ¹⁴	■
AM/FM stereo with in-dash 6-disc CD/MP3 changer and USB port ⁸	–	–	–	–	□
Bose [®] 7-speaker sound system ¹	–	–	□ ²⁰	□ ²⁰	■
DVD entertainment system: Rear-seat	–	–	–	–	□ ²
SiriusXM Satellite Radio ²¹	□ ²²	■	■	■	■
SiriusXM NavTraffic ²¹	–	–	–	–	□ ²³
Touch-screen navigation radio	–	–	–	–	□

DEALER-INSTALLED ACCESSORIES

	WT	LS ¹	LT	XFE ²	LTZ ¹
Premium All-Weather Floor Mats: deep-ribbed rubber	□	□	□	□	□
Assist Steps: 3" round chrome	□	□	□	–	□
6" oval chrome	□	□	□	–	□
Bedliner	□	□	□	□	□
Bed Rail Protectors	□	□	□	□	□
Bed Rug	□	□	□	□	□
Chrome 4x4 Decal	–	–	□	–	□
Chrome Z71 Decal ²⁴	–	–	□	–	□
Chrome Package: Chrome Recovery Hooks and Polished Exhaust Tip	–	□	□	–	□
Molded Splash Guards: Black front and rear with gold bowtie logo on rear	□	□	□	□	□
Rubber Bed Mat	□	□	□	□	□
Stationary Tool Box	□	□	□	□	□
Tonneau Cover: Hard Tri-Folding with Premium Cloth cover	□	□	□	–	□
Hard Tri-Folding with vinyl cover	□	□	□	–	□
Soft Cloth Tri-Folding	□	□	□	–	□
Soft Roll-Up with integrated support bows	□	□	□	–	□
Rear Underseat Storage Box ¹	□	□	□	□	□
Wheel Theft-Deterrent System, designed to protect the wheels and tires from theft	□	□	□	□	□

1 Extended and Crew Cab models only. **2** Crew Cab models only. **3** Visit onstar.com for coverage map, details and system limitations. Services vary by model and conditions. **4** Requires available power door locks and Remote Keyless Entry. **5** Requires available Trailing Package; not available with Vortec 4.3L V6 engine. **6** Not available with power-sliding rear window. **7** Standard on Crew Cab models; Remote Keyless Entry sold separately when Windows, Locks and Mirrors Power Package is ordered. **8** Not compatible with all devices. **9** Go to gm.com/bluetooth to find out which phones are compatible with the vehicle. **10** Dual-zone climate controls not included on Regular Cab models. **11** Not available with All-Star Edition or Custom Sport Truck Package. **12** Requires available heated trailing mirrors. **13** Requires available All-Star Edition, Custom Sport Truck Package, Interior Plus Package or EZ Lift locking tailgate. **14** Requires available Interior Plus Package. **15** Requires available LTZ Plus Package or EZ Lift locking tailgate. **16** Requires available Windows, Locks and Mirrors Power Package. **17** Not available with rear-window defogger. **18** Requires available SiriusXM Satellite Radio. **19** Requires available All-Star Edition, Custom Sport Truck Package or Interior Plus Package. **20** Requires available bucket seats and Interior Plus Package. **21** If you subscribe after your trial period, subscriptions are continuous until you call SiriusXM to cancel. See SiriusXM Customer Agreement for complete terms at siriusxm.com. Other fees and taxes will apply. All fees and programming subject to change. For more information about NavTraffic, visit siriusxm.com/navtraffic. XM satellite service is available only in the 48 contiguous United States and Washington, D.C. **22** Requires available OnStar and AM/FM stereo with CD/MP3 player. **23** Requires available navigation system. **24** Requires available Z71 Off-Road Package.

WARRANTY INFORMATION

100,000-MILE/5-YEAR TRANSFERABLE POWERTRAIN LIMITED WARRANTY. Every 2013 Chevrolet passenger car, light-duty pickup truck, SUV and crossover comes with a 100,000-mile/5-year (whichever comes first) transferable Powertrain Limited Warranty. Plus, you get 100,000 miles/5 years (whichever comes first) of the 24/7 Roadside Assistance Program, the Courtesy Transportation Program, and much more. See dealer for details.

NEW VEHICLE LIMITED WARRANTY. GM vehicles registered in the USA are covered for 36,000 miles/3 years (whichever comes first). The complete vehicle is covered, including tires, towing to your nearest Chevrolet dealership and cosmetic corrosion resulting from defects. Repairs will be made to correct any vehicle defect, and most warranty repairs will be made at no charge. In addition, rust-through corrosion will be covered for 100,000 miles/6 years (whichever comes first). See dealer for details.

CHEVROLET OWNER CENTER (GMOWNERCENTER.COM/CHEVY). Register your vehicle with the Chevrolet Owner Center and receive benefits such as online access to your vehicle Owner's Manual, maintenance schedule reminders, service history tracking, warranty and service information, safety information, special offers and privileges, and news and events.

IMPORTANT INFORMATION

ENGINES. Chevrolet products are equipped with engines produced by GM Powertrain or other suppliers to GM worldwide. The engines in Chevrolet products may also be used in other GM makes and models.

ASSEMBLY. Chevrolet vehicles and their components are assembled or produced by different operating units of General Motors, its subsidiaries or suppliers to GM worldwide. We sometimes find it necessary to produce Chevrolet vehicles with different or differently sourced components than originally scheduled. Since some options may be unavailable when your vehicle is assembled, we suggest you verify that your vehicle includes the equipment you ordered and that, if there were changes, they are acceptable to you.

ONSTAR. OnStar services require vehicle electrical system (including battery), wireless service and GPS satellite signals to be available and operating for features to function properly. OnStar acts as a link to existing emergency service providers. Subscription Service Agreement required. Call 1-888-4ONSTAR (1-888-466-7827) or visit onstar.com for OnStar Terms and Conditions, Privacy Policy, details and system limitations.

A NOTE ON CHILD SAFETY. Always use safety belts and the correct restraint for your child's age and size. Even in vehicles equipped with the Passenger Sensing System, children are safer when properly secured in a rear seat in the appropriate infant, child or booster seat. Never place a rear-facing infant restraint in the front seat of any vehicle equipped with a passenger air bag. See the Owner's Manual and child safety seat instructions for more safety information.

IMPORTANT WORDS ABOUT THIS CATALOG. We have tried to make this catalog comprehensive and factual. We reserve the right, however, to make changes at any time, without notice, in prices, colors, materials, equipment, specifications, models and availability. Specifications, dimensions, measurements, ratings and other numbers in this catalog and other printed materials provided at the dealership or affixed to vehicles are approximations based on design and engineering drawings, prototypes and laboratory tests. Your vehicle may differ due to variations in manufacture and equipment. Since some information may have been updated since the time of printing, please check with your Chevrolet dealer for complete details. Chevrolet reserves the right to lengthen or shorten the model year for any product for any reason or to start and end model years at different times.

Certain vehicle features may lose their usefulness over time due to obsolescence from technological changes. Unless otherwise noted, all claims based on GM Large Pickup segment and latest available competitive information. Excludes other GM vehicles.

FLEET ORDERS. Some standard content may be deleted on fleet orders. See dealer for details.

CHEVY.COM. Offers shopping tools such as Chevy vehicle information, Build and Price, Find a Vehicle, Request Info, Email Sign-Up, Compare Vehicles, Financial Tools...and much more.

OWNER SERVICES. Chevrolet is committed to enhancing the ownership experience through a wide array of programs. For more information about 24-hour Roadside Assistance, Courtesy Transportation, Customer Assistance Center, Chevy Safety, GM Mobility, Chevrolet Owner Center, marketing and incentives, as well as services for GM Card members, visit chevy.com.

CHEVY.COM/SAFETY. Chevrolet is committed to keeping you and your family safe—from the start of your journey to your destination. That's why every Chevrolet is designed with a comprehensive list of safety and security features to help give you peace of mind.

GMMOBILITY.COM (1-800-323-9935). GM Mobility™ offers financial assistance for eligible adaptive equipment to make automotive travel easier for persons with disabilities or special transportation needs. To learn more about special GM Mobility offers, visit gmmobility.com.

GMCARDMEMBERSERVICES.COM. Did you know about the family of reward credit cards that can help you get a great deal on a new GM car, light-duty truck, SUV or crossover? With a GM reward card, you accrue earnings on every credit card purchase to use toward the purchase or lease of an eligible new GM vehicle. With three cards to choose from, you're sure to find one that suits you best.

ECOLOGIC WINDOW LABEL. As part of our Ecologic™ initiative for environmental responsibility, every 2013 Chevrolet vehicle features a new Ecologic window label detailing some of its fuel-saving technologies, responsible manufacturing processes and end-of-life recyclability. Visit chevrolet.com/ecologic for more information.

GM, the GM Logo, Chevrolet, the Chevrolet Logo, and the slogans, emblems, vehicle model names, vehicle body designs and other marks appearing in this catalog are the trademarks and/or service marks of General Motors, its subsidiaries, affiliates or licensors. ©2012 OnStar. All rights reserved. Sirius, XM and all related marks and logos are trademarks of SiriusXM Radio Inc. The Bluetooth word mark is a registered trademark owned by Bluetooth SIG, Inc., and any use of such mark by Chevrolet is under license. ©2012 General Motors. All rights reserved. July 2012

OWNERSHIP EXTRAS



chevy.com/warranty



ACCESSORIES
chevy.com/accessories



onstar.com



siriusxm.com



facebook.com/chevrolet



twitter.com/chevrolet



youtube.com/chevrolet

Silverado 1500 Extended Cab LTZ 4x4
shown in Victory Red with available
Z71 Appearance Package.





chevy.com