



CHEVROLET

*Baby Grand*

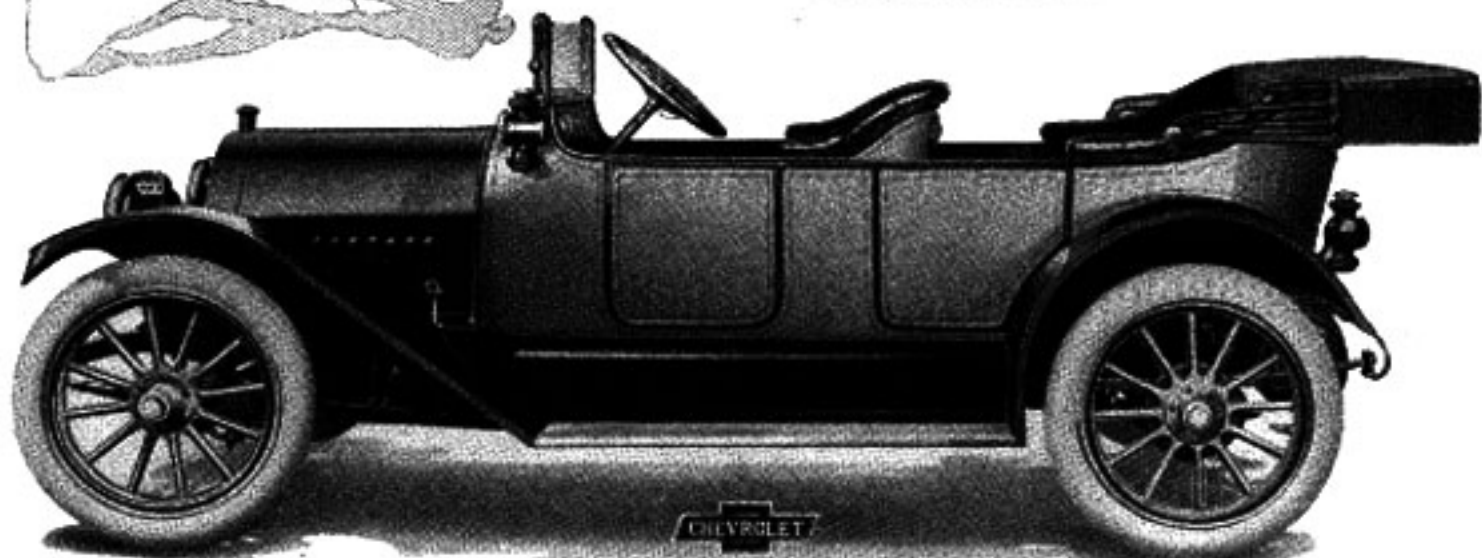
TOURING

*\$875<sup>00</sup>*

F. O. B. FLINT., MICH.

CHEVROLET MOTOR CO

FLINT MICH., U.S.A.



*"Baby Grand" Touring Car—perfectly proportioned, splendidly built—a fitting exponent of one of the world's great industries.*

# THE PRODUCT OF EXPERIENCE

CHEVROLET CARS require no introduction. They have established an enviable reputation in the motoring world, and in presenting the "Baby Grand" Touring Car for 1914 we are confident that our appreciative readers will prefer a simple description of its important and characteristic features rather than the extravagant and obviously inaccurate statements so frequently employed.

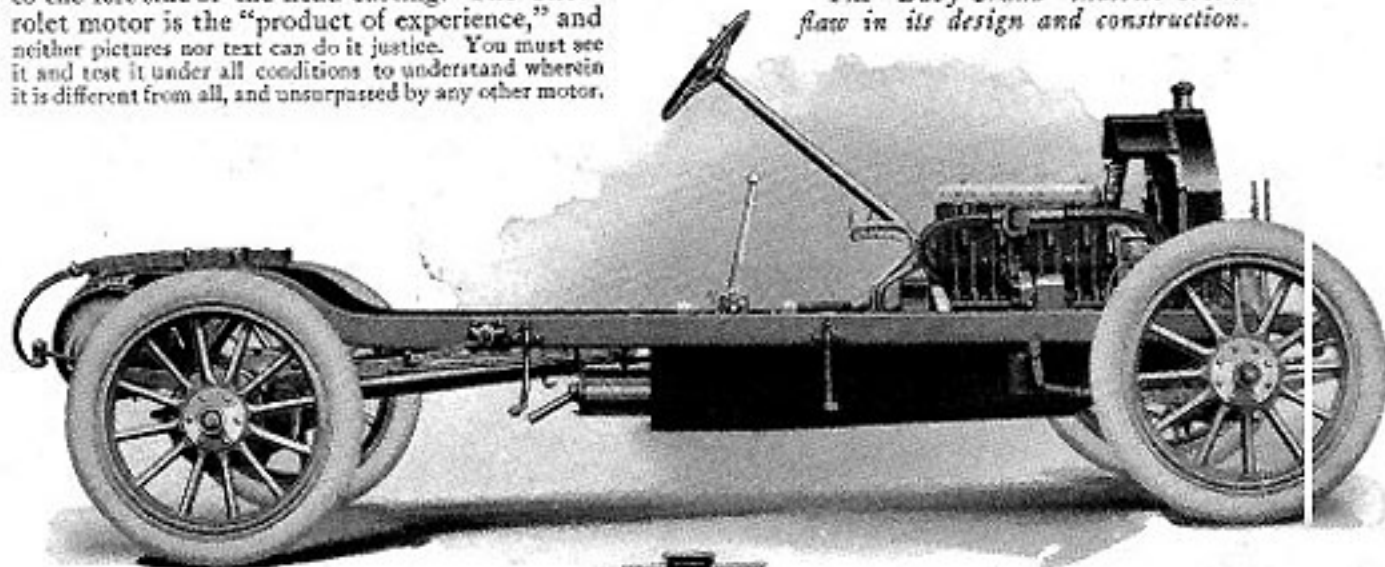
The "Baby Grand" Touring Car is a typical Chevrolet product, with its graceful, beautifully symmetrical lines and a complete harmony in every detail of its design that makes enthusiasts of all Chevrolet owners. All the principal features of interest to the prospective buyer will be found under "Specifications," but the famous Chevrolet motor is worthy a special explanation of its distinctive and wonderfully efficient qualities.

Without a good motor no automobile can hope for recognition—in other words, a motor car is only as good as its motor. The three essential features of a gasoline motor are power, quietness and simplicity of construction, and the Chevrolet motor offers a remarkable combination of these three vital qualities.

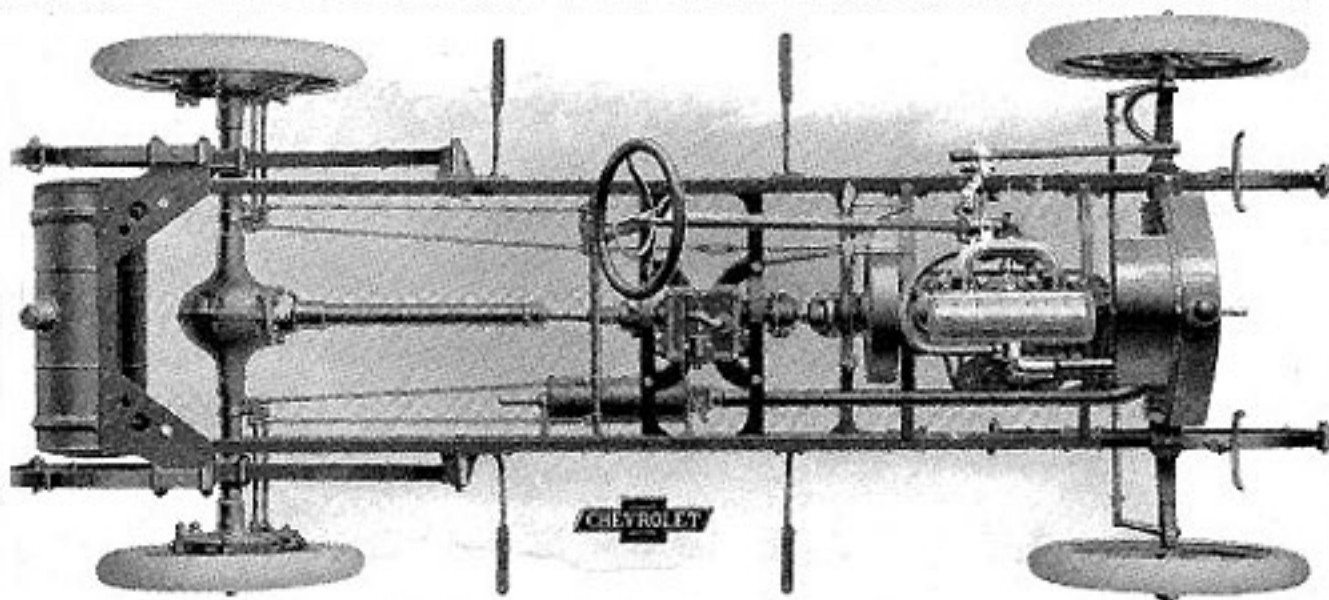
It is of the valve-in-the-head type, with enclosed valves, and is thus the acme of silence and cleanliness. The removable cylinder head gives instant access to valves and spark plugs, and, if necessary, pistons and connecting rods may be easily removed through top of cylinders. This motor has brass backed, center and connecting rod bearings.

The exhaust manifold, on the right side, being a single pipe outlet, all back pressure is eliminated. The intake manifold is bolted to the left side of the head casting. The Chevrolet motor is the "product of experience," and neither pictures nor text can do it justice. You must see it and test it under all conditions to understand wherein it is different from all, and unsurpassed by any other motor.

The "Baby Grand" chassis. Not a flaw in its design and construction.



Intake side of the famous Chevrolet Motor—four-cylinder, valve-in-the-head type. Brass Backed Bearings.



Top view of "Baby Grand" chassis. Light, strong, rigid, perfectly balanced, every part accessible.

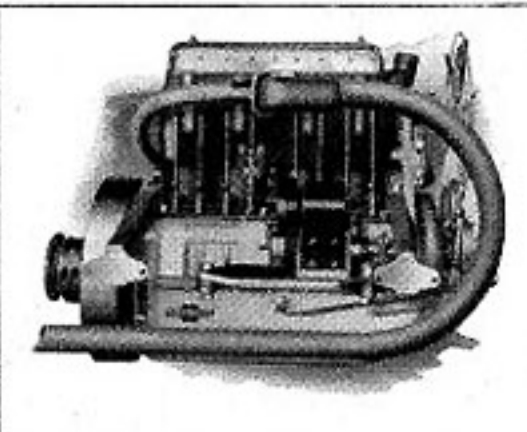
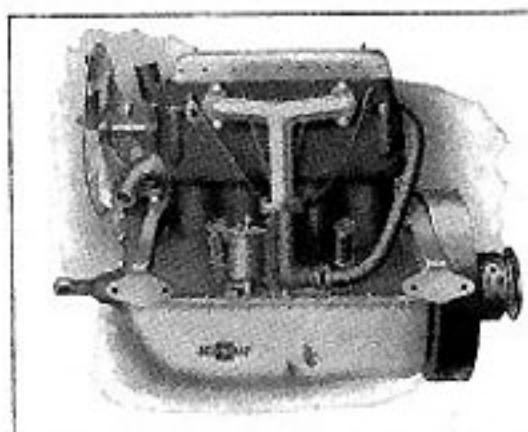
## CONDENSED SPECIFICATIONS

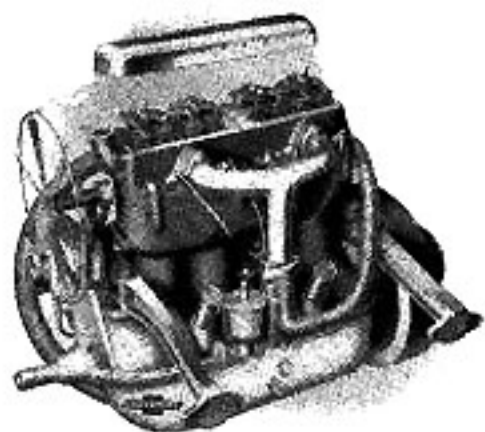
**MOTOR**—Powerful, quiet and simple. Four-cylinder, valve-in-the-head, 3 1/4 x 4 inches.  
**CYLINDERS**—Detachable head, cast en bloc.  
**VALVES**—1 1/2-inch, enclosed.  
**CONNECTING ROD BEARINGS**—2 3/4 x 1 1/2 inches. Brass backed.  
**CRANKSHAFT BEARINGS**—Front, 2 3/4 x 1 3/4 inches; center, 2 x 1 1/4 inches; rear, 3 3/4 x 2 inches.  
**CAM SHAFT BEARINGS**—Front, 2 3/4 x 1 1/4 inches; center, 2 x 1 1/4 inches; rear, 1 7/8 x 1 1/4 inches.  
**OILING SYSTEM**—Splash with positive pump; sight-feed on dash.  
**CARBURETOR**—1-inch, improved double-jet Zenith; pressure feed by automatic pump.  
**IGNITION**—Simms high-tension magneto.  
**CLUTCH**—Cone, leather faced, with adjustable compensating springs.  
**TRANSMISSION**—Selective type, three speeds forward and reverse.  
**COOLING**—Thermo-syphon, with fan.  
**AXLES**—Front, I-beam; rear, semi-floating.  
**BRAKES**—Service, external contracting. Emergency, internal expanding.

**FRONT WHEELS**—Ball bearing.  
**TIRES**—32 x 3 1/2 inches, Q. D., straight side.  
**DRIVE**—Left side; center control.  
**STEERING GEAR**—Worm and worm wheel, 16-inch steering wheel.  
**BODY**—Touring type, gasoline tank hung in rear under chassis frame.  
**GASOLINE TANK**—16 gallons' capacity.  
**FINISH**—Chevrolet gray or plum color body, black chassis and gray wheels.  
**WHEEL BASE**—104 inches.  
**WEIGHT**—Completely equipped, with gasoline, oil and water, 2200 lbs.  
**EQUIPMENT**—Mohair tailored top, cover and side curtains, windshield, five lamps, Prest-O-Lite tank, electric horn, speedometer, complete tool equipment, including jack and pump.  
**EXTRAS**—Electric Auto-Lite starting and lighting system with generator, best grade electric lamps, and L. B. A. storage battery, \$125.00. When thus electrically equipped, Connecticut coil and distributor are used for ignition, instead of magneto.

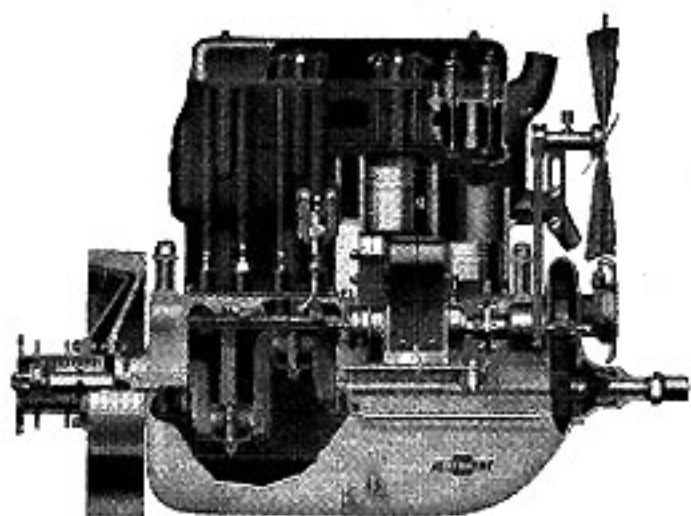
The immense Chevrolet factories represent five of the largest and most modernly equipped plants in the motor-car industry. Directed by experts of long experience, supplied with the latest automatic machinery and provided with ideal shipping facilities, they are a perfect solution of the greatest problem in manufacturing—quantity production of a high grade article—and therefore they explain why Chevrolet cars, representing the best in design, workmanship and material, are built so economically and sold at such attractive prices.

Ignition side of "Baby Grand" motor. Chevrolet motors have no superior.





*The removable nickel-plated cover affords instant accessibility to springs and rocker arms.*



*Inside view of the Chevrolet valve-in-the-head motor, showing the valves, pistons, crank-shaft, clutch and oiling system. Compact and simple in design, yet always ready to deliver the power.*



*"Baby Grand" with top up. A car that is roomy and clean cut, and as carefully manufactured as the highest-priced car on the market.*