

2018 Crosstrek



Love is out there. Find it in a Crosstrek.

 **SUBARU**
Confidence in Motion

Boundaries are meant to be challenged.

Setting your own course is how you got here. Now feel free to push it further in the all-new 2018 Crosstrek. Designed and built with more capability, safety, comfort and space, it's here to take part in the pursuit of bold, new experiences. With the new Crosstrek, you have the ability to take on roads that others can't—and the confidence to determine what's possible.

Love is out there. Find it in a Crosstrek.



Durable

Considering that 98% of Subaru vehicles sold in the last 10 years are still on the road today,¹ you can rest assured the 2018 Crosstrek is built for the long haul. Our newer, stronger Subaru Global Platform gives it greater durability, while its proven SUBARU BOXER[®] engine design offers better balance and a lower center of gravity than other engine types, resulting in less vibration and a quieter, more comfortable ride.

Capable

"Hard to get to" is where this compact SUV excels, thanks to standard Subaru Symmetrical All-Wheel Drive and up to 33 highway MPG.² The newly available X-MODE[®] terrain feature with Hill Descent Control³ can help you more easily navigate steep and slippery roads, while its 8.7 inches of ground clearance helps get you to your destinations and back.

Safe

The all-new Crosstrek was built to protect what matters most. Newly available Steering Responsive Headlights (SRH)⁴ help you see around corners, while available Blind-Spot Detection,⁵ Rear Cross-Traffic Alert,⁵ Reverse Automatic Braking (RAB)⁶ and EyeSight^{®7} Driver Assist Technology help alert you to potential danger. Plus, SUBARU STARLINK[™] Safety and Security with Automatic Collision Notification can help keep you and your Subaru safe and sound.⁸

Connected

Connected nearly anywhere you go. That's the advantage of the updated SUBARU STARLINK[™] Multimedia system with standard Apple Carplay[™] and Android[™] Auto integration, available on either a 6.5- or 8-inch touchscreen. Also, the newly available TomTom[®]-powered navigation system will help keep you headed in the right direction with three years of free map updates.

1 Based on IHS Markit U.S. vehicles in operation vs. total registrations MY2007–2016 as of January 2017. 2 EPA-estimated fuel economy for 2018 Crosstrek models with Lineartronic[®] CVT at 33 highway MPG. Actual mileage may vary. 3 Requires Lineartronic[®] CVT. 4 Availability varies by trim level. See your retailer. 5 Blind-Spot Detection, Lane Change Assist and Rear Cross-Traffic Alert are systems designed to assist the driver by monitoring the rear and side areas of the vehicle during a lane change or reversing and are not a substitute for safe and attentive driving. 6 The Reverse Automatic Braking System is not a substitute for safe and attentive driving. System effectiveness depends on many factors, such as vehicle maintenance, weather and road conditions. Always exercise caution and use vehicle mirrors and the Rear-Vision Camera when backing up. See Owner's Manual for complete details on system operation and limitations. 7 EyeSight is a driver assist technology, which may not operate optimally under all driving conditions. The driver is always responsible for safe and attentive driving. System effectiveness depends on many factors such as vehicle maintenance, weather and road conditions. See Owner's Manual for complete details on system operation and limitations. 8 Activation and required subscription sold separately. Includes 1-year Safety Plus trial subscription. See retailer for details.



60/40-split Flat-folding Rear Seats



Roof Rails



Cargo Area Tray

Ready for what you are.



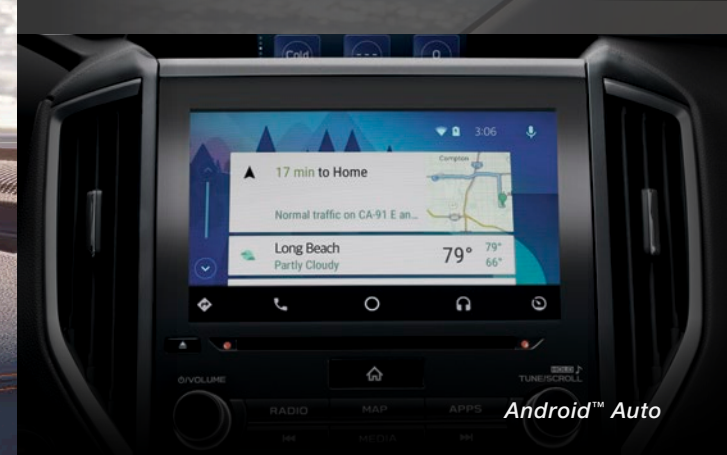
© 2018 Crosstrek

Cargo Versatility

Easier than ever to pack up and go, the 2018 Crosstrek has more cargo room—up to 55.3 cubic feet with the rear seats folded down—and a rear gate opening that is up to 4 inches wider for easier loading and unloading. The standard roof rails also give you more carrying options for bigger plans, while 60/40-split flat-folding rear seatbacks can help you transport longer items and a passenger or two at the same time. There's also a durable cargo area tray,¹ standard on Premium and Limited trims, to help transport wet and muddy gear.

¹ Availability varies by trim level. See your retailer.

Crosstrek 2.0i Limited in Quartz Blue Pearl with optional and accessory equipment.



Upgraded Technology

It's easier than ever to stay connected to your favorite content and apps, thanks to the updated SUBARU STARLINK™ Multimedia system that now features standard Apple CarPlay™, Android™ Auto and Pandora® integration.¹ Access news, music, weather, and more through available STARLINK™ apps^{2,3} such as iHeartRadio®. Discover even more options with SiriusXM® All Access Radio^{2,3,4}. There's also an all-new voice-activated navigation system available, now powered by TomTom.³ Plus, STARLINK™ can read and display your incoming texts, allowing you to keep your eyes on the road.⁵

Available upgrades include a quick-responding, 8-inch touchscreen, a 432-watt-equivalent Harman Kardon® premium audio system with 8 speakers, and a 6.3-inch multifunction display up top that shows vehicle details and turn-by-turn directions.³

Crosstrek 2.0i Limited with Black Leather and optional equipment.

1 Compatible smartphone and applications required. For applications to operate, latest version of each application is required. Data provided by smartphone is displayed on the audio system screen. Some state laws prohibit the operation of handheld electronic devices while operating a vehicle. Smartphone apps should only be launched when vehicle is safely parked. Your wireless carrier's rates may apply. 2 8.0-inch system required. See your retailer. 3 Availability varies by trim level. See your retailer. 4 Activation and required monthly subscription sold separately. Includes 4-month trial subscription. See your retailer. 5 Starlink can read incoming texts out loud when the vehicle is traveling at speeds over 5 miles per hour, and can display incoming texts at speeds lower than 5 miles per hour.



Proof there's **beauty in purpose.**

Crafted for great ambitions, the all-new CrossTrek is right-sized outside for easy maneuvering and larger inside with up to 100.9 cubic feet of passenger space.¹ There are also upgraded, soft-touch materials and bold contrast stitching, for a more polished look. The comfort has been kicked up, too, with sculpted, supportive seats in available leather with a 6-way power adjustable driver's seat to make sure things are just how you like them. There's also available Keyless Access with Push-Button Start to make getting in and on your way that much easier.²

¹ Without available power moonroof. ² Availability varies by trim level. See your retailer.

An extra set of eyes **every time you drive.**

Pre-Collision Braking



A driver ahead unexpectedly hits the brakes or cuts you off. EyeSight^{®1} warns you, applies brakes to help avoid it and, at lower speeds, can even help you stop your Subaru.

Adaptive Cruise Control



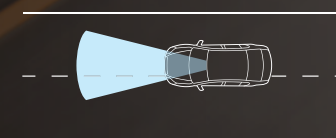
Traffic doesn't always flow smoothly, so EyeSight[®] doesn't only keep a set speed. The system looks ahead and helps automatically adjust to keep your distance, even in stop-and-go highway traffic.

Pre-Collision Throttle Management



If you put the car in Drive instead of Reverse and EyeSight[®] sees an object in your path, it cuts power to help you avoid accelerating into it.

Lane Departure and Sway Warning with Lane Keep Assist



You accidentally drift to the edge of your lane and begin to cross into another. EyeSight[®] watches for lane markers and chimes to warn you before you leave your lane, and now it can even help steer you back into your proper course, thanks to Lane Keep Assist.

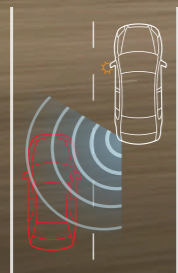


¹ EyeSight is a driver assist technology, which may not operate optimally under all driving conditions. The driver is always responsible for safe and attentive driving. System effectiveness depends on many factors such as vehicle maintenance, weather and road conditions. See Owner's Manual for complete details on system operation and limitations.



Protect What You Love

Safety is more than just a duty for us—it's a passion. That's why every Crosstrek rides atop the new Subaru Global Platform with a stronger Ring-shaped Reinforcement Frame and 7 standard airbags.¹ To further advance driver safety, LED Steering Responsive Headlights (SRH)² are now available, as well as High Beam Assist (HBA) that automatically dims and activates the high beams as needed.^{2,3}



Blind-Spot Detection

Using radar sensors, Blind-Spot Detection warns you with a visual indicator in your side mirror if it senses a vehicle in your blind spot. Another feature of this system, Lane Change Assist, alerts you with a flashing indicator in your side mirror if it senses a vehicle approaching at a higher speed in a neighboring lane and you signal for a lane change.^{2,4}



Reverse Automatic Braking

In addition to the standard Rear-Vision Camera, available Reverse Automatic Braking (RAB) detects objects directly behind your vehicle when backing up at a slow speed and can help bring your Crosstrek to a stop, should an object be detected within its range and the driver fail to act.^{2,5}



Rear Cross-Traffic Alert

Rear Cross-Traffic Alert uses radar sensors to help warn you of traffic approaching from the side as you are backing up, utilizing a flashing visual indicator in your side mirror and an audible warning.^{2,4}



STARLINK™ Safety and Security

Providing extra peace of mind, STARLINK™ Safety and Security gives you instant access to help when you need it most. With Automatic Collision Notification to send first responders when an airbag deploys, Stolen Vehicle Recovery to help police locate your vehicle if it's stolen and more, STARLINK™ Safety and Security helps keep you and your Subaru safe.^{2,6}

¹ Always wear seatbelts. Children should be properly restrained in the rear seat. ² Availability varies by trim level. See your retailer. ³ Requires EyeSight®. See your retailer. ⁴ Blind-Spot Detection, Lane Change Assist and Rear Cross-Traffic Alert are systems designed to assist the driver by monitoring the rear and side areas of the vehicle during a lane change or reversing and are not a substitute for safe and attentive driving. ⁵ Requires EyeSight™. The Reverse Automatic Braking System is not a substitute for safe and attentive driving. System effectiveness depends on many factors, such as vehicle maintenance, weather and road conditions. Always exercise caution and use vehicle mirrors and the Rear-Vision Camera when backing up. See Owner's Manual for complete details on system operation and limitations. ⁶ Activation and required subscription sold separately. Includes 1-year Safety Plus trial subscription. See your retailer for details.



The Subaru Crosstrek retains its value better than any other vehicle in its class, for 2017 according to ALG.¹



98% of Subaru vehicles sold in the last 10 years are still on the road today.²

IHS Markit

2018 Crosstrek | Trim Levels



2.0i

- 152-hp 2.0-liter 4-cylinder SUBARU BOXER® engine with direct injection
- Subaru Symmetrical All-Wheel Drive
- 6-speed manual transmission or optional Lineartronic® CVT (Continuously Variable Transmission) with X-MODE® featuring Hill Descent Control
- Active Torque Vectoring
- 17-inch alloy wheels
- Roof rails in black finish
- Cloth upholstery
- Black carbon-fiber-patterned interior accent trim
- 6-way manually adjustable driver's seat and 4-way manually adjustable front-passenger's seat
- SUBARU STARLINK™ 6.5-inch Multimedia with Apple CarPlay™, Android™ Auto, Pandora® and Aha™ smartphone app integration⁶, high-resolution LCD touchscreen display, 4 speakers, AM/FM stereo, USB port/iPod® control, Bluetooth® audio streaming and hands-free phone connectivity, and 3.5-mm auxiliary jack
- Auto-up/down driver's and front-passenger's power windows
- Manually adjustable CFC-free air conditioning with air filtration
- Electronic cruise control
- Rear-Vision Camera

2.0i Premium

Includes 2.0i key features and adds:

- Fog lights
- Body-color side mirrors
- Cloth upholstery with orange stitching
- Leather-wrapped steering wheel with orange stitching
- Leather-wrapped shifter handle
- SUBARU STARLINK™ 6.5-inch Multimedia with Apple CarPlay™, Android™ Auto, Pandora® and Aha™ smartphone app integration⁶, high-resolution LCD touchscreen display, 6 speakers, AM/FM stereo, USB port/iPod® control, Bluetooth® audio streaming and hands-free phone connectivity, and 3.5-mm auxiliary jack
- STARLINK™ Safety Plus enabled⁷: Automatic Collision Notification, SOS Emergency Assistance, Enhanced Roadside Assistance, Maintenance Notifications, Monthly Vehicle Health Report, Diagnostic Alerts
- All-Weather Package: Heated exterior mirrors, dual-mode heated front seats, windshield wiper de-icer
- Auto-on/off headlights
- Welcome lighting
- Cargo area tray and cover

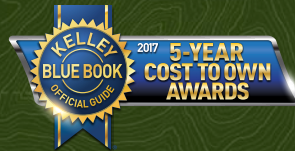
2.0i Limited

Includes 2.0i Premium key features and adds:

- X-MODE® with Hill Descent Control
- Lineartronic® CVT (Continuously Variable Transmission) with manual-mode paddle shifters
- 18-inch alloy wheels
- LED Steering Responsive Headlights (SRH)
- Body-color side mirrors with integrated turn signals
- 6-way power adjustable driver's seat
- Leather-trimmed upholstery with orange stitching
- Shifter handle with leather boot, orange stitching and gloss black trim
- Silver and gloss carbon-fiber-patterned interior accent trim
- SUBARU STARLINK™ 8.0-inch Multimedia Plus with Apple CarPlay™, Android™ Auto, Pandora® and Aha™ smartphone app integration⁶, STARLINK™ cloud-based applications, including Yelp®, iHeartRadio® and Magellan® navigation⁸, SiriusXM® All Access Radio⁹ and Travel Link⁹, high-resolution LCD touchscreen display, 6 speakers, AM/FM/CD player, HD Radio®, USB port/iPod® control, Bluetooth® audio streaming and hands-free phone and text messaging connectivity, and 3.5-mm auxiliary jack
- Keyless Access with Push-Button Start and PIN-code vehicle access
- Blind-Spot Detection with Lane Change Assist and Rear Cross-Traffic Alert¹⁰
- 6.3-inch color multifunction display
- High-grade instrument cluster with color LCD display
- Automatic climate control system with air filtration



Parents magazine and Edmunds have named the Crosstrek a Best Family Car of 2017.³



The Subaru Crosstrek has the 2017 Lowest 5-Year Cost to Own in its class according to Kelley Blue Book.⁴



Subaru is Kelley Blue Book's 2017 Most Trusted Brand and Best Overall Brand.⁵



¹ ALG is the industry benchmark for residual values and depreciation data (www.alg.com). ² Based on IHS Markit U.S. vehicles in operation vs. total registrations MY2007–2016 as of January 2017. ³ Parents is a registered trademark of Meredith Corporation, and Edmunds and the Edmunds' car logo are registered trademarks of Edmunds.com, Inc. Used with permission. ⁴ 2017 model-year vehicle's projected cost to own for the initial five-year ownership period is based on the average Kelley Blue Book 5-Year Cost to Own data which considers depreciation and costs such as fuel and insurance. For more information, visit www.kbb.com. Kelley Blue Book is a registered trademark of Kelley Blue Book Co., Inc. ⁵ 2017 Kelley Blue Book Brand Image Awards are based on the Brand Watch™ study from Kelley Blue Book Strategic Insights. Award calculated among non-luxury shoppers. For more information, visit www.kbb.com. Kelley Blue Book is a registered trademark of Kelley Blue Book Co., Inc. ⁶ Compatible smartphone and applications required. For applications to operate, latest version of each application is required. Data provided by smartphone is displayed on the audio system screen. Some state laws prohibit the operation of handheld electronic devices while operating a vehicle. Smartphone apps should only be launched when vehicle is safely parked. Your wireless carrier's rates may apply. ⁷ Activation and required subscription sold separately. Includes 1-year trial subscription. See your retailer for details. ⁸ Activation and subscription required. See your retailer for details. ⁹ Activation and required monthly subscription sold separately. Includes 4-month trial subscription. See your retailer. ¹⁰ Blind-Spot Detection, Lane Change Assist and Rear Cross-Traffic Alert are systems designed to assist the driver by monitoring the rear and side areas of the vehicle during a lane change or reversing and are not a substitute for safe and attentive driving.

2018 Crosstrek | Specifications

Engine and Drivetrain		2.0i
Power Torque	2.0-liter DOHC direct-injection aluminum-alloy 16-valve horizontally opposed 4-cylinder SUBARU BOXER® engine with Dual Active Valve Control System (DAVCS). 152 hp @ 6,000 rpm 145 lb-ft @ 4,000 rpm	●
Transmission	Fully synchronized 6-speed manual with Incline Start Assist. 2.0i and 2.0i Premium: Standard. 2.0i Limited: N/A.	●
	Lineartronic® CVT (Continuously Variable Transmission) with Adaptive Control, Incline Start Assist and 7-speed manual-mode with paddle shifters¹. 2.0i and 2.0i Premium: Optional. 2.0i Limited: Standard.	○
CA Emissions		LEV III / SULEV30
Maximum Towing Capacity	1,500 lbs (certain limitations apply)	●
Traction and Stability		
All-Wheel Drive type	Subaru Symmetrical All-Wheel Drive	●
X-MODE®	X-MODE® optimizes engine output and transmission ratio, increases all-wheel drive system engagement and uses enhanced control of the VDC system to reduce individual wheelspin, providing optimal traction on low friction surfaces. 2.0i and 2.0i Premium: Optional². 2.0i Limited: Standard.	○
Hill Descent Control (HDC)	X-MODE® also incorporates Hill Descent Control (HDC) that helps to maintain a constant vehicle speed when traveling downhill, enhancing vehicle control. 2.0i and 2.0i Premium: Optional². 2.0i Limited: Standard.	○
Vehicle Dynamics Control (VDC)	VDC electronic stability control utilizes sensors that constantly monitor wheel speeds, steering angle, brake pressure, vehicle yaw rate and lateral g-forces. If VDC detects a difference between the driver's intended path and the one the vehicle is actually taking, VDC applies braking power and/or reduces engine torque to help correct vehicle path.	●
Traction Control System (TCS)	VDC also incorporates an all-wheel, all-speed traction control system that senses a loss of traction and applies braking force to the slipping wheel or wheels as necessary to maintain vehicle motion.	●
Active Torque Vectoring	Active Torque Vectoring works in tandem with VDC applying braking power to the inside front wheel resulting in sharper turn-in, more neutral steering and higher cornering limits when turning.	●
Fuel		
Fuel Economy	city/highway/combined³	Manual: 23/29/25 mpg CVT: 27/33/29 mpg
Fuel Requirement	Unleaded gasoline (87 octane)	●
Fuel Capacity	16.6 gallons	●

2018 Crosstrek | Specifications

Chassis		2.0i
Steering	Electric power-assisted quick ratio rack-and-pinion steering (EPAS). Turning circle: 35.4 feet.	●
Suspension	4-wheel independent raised. Front: MacPherson strut type. Stabilizer bar. Rear: Double-wishbone with lateral link pillow-ball joint bushing. Stabilizer bar.	●
Brakes	4-wheel disc, ventilated front. 4-channel, 4-sensor ABS with Electronic Brake-force Distribution (EBD).	●
Brake Discs (front/rear)	11.6 inches/10.8 inches	●
Brake Assist	When emergency braking is detected by how quickly the brake pedal is pressed, maximum brake pressure is immediately applied.	●
Brake Override System	If both brake and accelerator pedals are pressed simultaneously, the system reduces the operation of the accelerator pedal to help prevent unintentional vehicle acceleration.	●
Wheels and Tires		
Wheels	2.0i and 2.0i Premium: 17 x 7.0-inch aluminum-alloy. Black with machine finish.	●
	2.0i Limited: 18 x 7.0-inch aluminum-alloy. Black with machine finish.	●
Tires	2.0i and 2.0i Premium: 225/60 R17 98H all-season	●
	2.0i Limited: 225/55 R18 98H all-season	●
Spare Tire	Temporary use T145/80 D17	●

● Standard ○ Optional — Not equipped

Some images shown are for illustration purposes only. Specifications in this brochure are based on the latest product information available at the time of publication. For the most up-to-date and detailed product information, log on to www.subaru.com. Some equipment shown in photography in this brochure is optional at extra cost. Specific options may be available only in combination with other options. Specific combinations of equipment or features may vary from time to time and by geographic area. Certain accessories and equipment may not be available at the time of publication. Subaru of America, Inc., reserves the right to change or discontinue at any time, without notice, prices, colors, materials, equipment, accessories, specifications, models and packages without incurring any obligation to make the same or similar changes on vehicles previously sold. Colors shown may vary due to reproduction and printing processes.

This brochure was prepared by Subaru of America, Inc. A warranty from Subaru of America, Inc., is available only on cars sold to the first retail purchaser through an authorized Subaru retailer in the continental U.S. or Alaska. Every owner of the car during the warranty period shall be entitled to the benefit of these warranties. Subaru, SUBARU BOXER, Lineartronic, EyeSight and X-MODE are registered trademarks of SUBARU CORPORATION. Confidence in Motion and STARLINK are trademarks of SUBARU CORPORATION. Crosstrek and Added Security are registered trademarks of Subaru of America, Inc. Aha is a trademark of Harman International Industries, Inc. Android™ Auto is a trademark of Google Inc. Apple®, iPhone®, iPod® and iTunes® are registered trademarks of Apple Inc. Apple CarPlay™ is a trademark of Apple Inc. Bluetooth® is a registered trademark of Bluetooth SIG, Inc. Harman Kardon® is a registered trademark of Harman International Industries, Inc. HD Radio® is a registered trademark of iBiquity Digital Corporation. HomeLink® and the HomeLink house icon are registered trademarks of Gentex Corporation. SiriusXM®, Traffic® and Travel Link® are registered trademarks of SiriusXM Radio Inc. iHeartRadio® is a registered trademark of Clear Channel Communications, Inc. Magellan® is a registered trademark of MITAC International Corporation. Pandora® is a registered trademark of Pandora Media, Inc. Rockford Fosgate® is a registered trademark of Rockford Corporation. Thule® is a registered trademark of the Thule Group. TomTom® is a registered trademark of TomTom International BV. Yelp® is a registered trademark of Yelp Inc. For more information, contact your Subaru retailer or log on to www.subaru.com.

2018 Crosstrek | Equipment

Exterior	2.0i	2.0i Premium	2.0i Limited
LED Steering Responsive Headlights (SRH)	—	—	●
Fog lights	□	●	●
Black folding side mirrors	●	—	—
Body-color folding side mirrors	—	●	—
Body-color folding side mirrors with integrated turn signals	—	—	●
Body-color door handles	●	●	●
Heated side mirrors and windshield wiper de-icer (All-Weather Package)	—	●	●
Raised roof rails in black finish	●	●	●
Power tilt/sliding-glass moonroof (95% UVA and 99% UVB light reducing) ⁴	—	○ ⁵	○ ⁵
Seating and Trim			
6-way manually adjustable driver's seat. 4-way manually adjustable front-passenger's seat.	●	●	—
6-way power adjustable driver's seat. 4-way manually adjustable front-passenger's seat.	—	—	●
Heated front seats (All-Weather Package)	—	●	●
60/40-split flat-folding rear seatback	●	●	●
Leather-wrapped steering wheel with orange stitching	—	●	●
Leather-wrapped automatic transmission shifter handle with orange stitching	—	○	●
Shifter handle with leather boot, orange stitching and gloss black trim	—	—	●
Cloth upholstery	●	—	—
Cloth upholstery with orange stitching	—	●	—
Leather-trimmed upholstery with orange stitching	—	—	●
Convenience Features			
Keyless Access with Push-Button Start and PIN-code vehicle access	—	—	●
Welcome lighting (when approaching or departing vehicle)	—	●	●
One-touch lane change feature	●	●	●
Auto-on/off headlights	—	●	●
Auto-up/down driver's and front-passenger's power windows	●	●	●
Electronic cruise control	●	●	●
3-spoke steering wheel with audio system, Bluetooth [®] cruise control or (if equipped) EyeSight [®] adaptive cruise control buttons	●	●	●
Automatic transmission manual-mode paddle shifters	—	○	●
Manually adjustable tilt/telescoping steering column	●	●	●
Rear center armrest with dual cup holders	—	—	●
Removable cargo area tray and cover	□	●	●
Audio System			
SUBARU STARLINK [™] 6.5-inch Multimedia with Apple CarPlay [™] , Android [™] Auto, Pandora [®] and Aha [™] smartphone app integration ⁶ , high-resolution LCD touchscreen display, AM/FM stereo, USB port/iPod [®] control, Bluetooth [®] audio streaming and hands-free phone connectivity, and 3.5-mm auxiliary jack	●	●	—
SUBARU STARLINK [™] 8.0-inch Multimedia Plus with Apple CarPlay [™] , Android [™] Auto, Pandora [®] and Aha [™] smartphone app integration ⁶ , STARLINK [™] cloud-based applications, including Yelp [®] , iHeartRadio [®] and Magellan [®] navigation ⁷ , SiriusXM [®] All Access Radio ⁸ and Travel Link ^{®8} , NFC technology, high-resolution LCD touchscreen display, voice-activated controls, AM/FM/CD player, HD Radio [®] , dual USB port/iPod [®] control, Bluetooth [®] audio streaming and hands-free phone and text messaging connectivity, and 3.5-mm auxiliary jack	—	—	●
4 speakers	●	—	—
6 speakers	—	●	●
Climate Control			
Manually adjustable CFC-free air conditioning system with air filtration and rotary controls for temperature, fan speed and airflow direction	●	●	—
Automatic climate control system with CFC-free air conditioning, air filtration and rotary controls for temperature, fan speed and airflow direction	—	—	●
Instrumentation			
Instrument cluster with analog speedometer, tachometer and "eco" fuel economy gauges, and 2.4-inch LCD display	●	●	—
Instrument cluster with analog speedometer and tachometer gauges, and 4.2-inch color LCD display	—	○ ⁵	●
Multifunction display with digital trip computer, displaying current and average fuel economy, distance to empty, average vehicle speed, journey time, digital clock and ambient temperature	●	●	—
6.3-inch color multifunction display with information displays for fuel economy (average, current and distance to empty), heating and air conditioning, audio, weather, vehicle systems operation and more	—	—	●

2018 Crosstrek | Equipment

Security	2.0i	2.0i Premium	2.0i Limited
Keyless entry system with answer-back electronic chirp	●	●	●
Antitheft security system with engine immobilizer	●	●	●
Safety			
ACTIVE			
Subaru Symmetrical All-Wheel Drive (AWD)	●	●	●
EyeSight [®] Driver Assist Technology ^{5,9}	—	○	○
Blind-Spot Detection with Lane Change Assist and Rear Cross-Traffic Alert ^{5,10}	—	○	●
Reverse Automatic Braking (RAB) ^{5,11}	—	—	○
Vehicle Dynamics Control (VDC) with Traction Control System (TCS)	●	●	●
4-wheel antilock braking system (ABS) with Electronic Brake-force Distribution (EBD)	●	●	●
Brake Assist	●	●	●
Brake Override System	●	●	●
Rear-Vision Camera	●	●	●
Tire Pressure Monitoring System (TPMS)	●	●	●
Daytime Running Lights (DRL)	●	●	●
PASSIVE			
STARLINK [™] Safety Plus enabled ¹² : Automatic Collision Notification, SOS Emergency Assistance, Enhanced Roadside Assistance, Maintenance Notifications, Monthly Vehicle Health Report, Diagnostic Alerts	—	●	●
Dual-stage deployment driver and front-passenger front airbags (SRS) ¹³	●	●	●
Subaru advanced frontal airbag system (SRS) ¹³	●	●	●
Seat-mounted front side-impact airbags (SRS) ¹³	●	●	●
Side-curtain airbags protecting front and rear outboard occupants (SRS) ¹³	●	●	●
Rollover sensor (SRS) ¹³	●	●	●
Driver's knee airbag (SRS) ¹³	●	●	●
Whiplash-protection front seats with height- and tilt-adjustable head restraints	●	●	●
Three individual rear-seat head restraints	●	●	●
Height-adjustable 3-point front seatbelts with pretensioners and force limiters. 3-point seatbelts at all rear seating positions.	●	●	●
LATCH system: Lower Anchors and Tethers for CHildren	●	●	●
Optional Equipment			
STARLINK [™] Safety Plus and Security Plus ⁷	—	○	○
Lineartronic [®] CVT (Continuously Variable Transmission)	○	○	●
Lineartronic [®] CVT • Power Moonroof • Blind-Spot Detection with Lane Change Assist and Rear Cross-Traffic Alert ¹⁰	—	○	—
Lineartronic [®] CVT • EyeSight [®] Driver Assist Technology ⁹ • Blind-Spot Detection with Lane Change Assist and Rear Cross-Traffic Alert ¹⁰ • Steering Responsive Fog Lights (SRF)	—	○	—
Lineartronic [®] CVT • Power Moonroof • EyeSight [®] Driver Assist Technology ⁹ • Blind-Spot Detection with Lane Change Assist and Rear Cross-Traffic Alert ¹⁰ • Steering Responsive Fog Lights (SRF)	—	○	—
Power Moonroof • EyeSight [®] Driver Assist Technology ⁹ • High Beam Assist (HBA) • Reverse Automatic Braking (RAB) ¹¹	—	—	○
Power Moonroof • SUBARU STARLINK [™] 8.0-inch Multimedia Navigation • Harman Kardon [®] audio system • EyeSight [®] Driver Assist Technology ⁹ • High Beam Assist (HBA) • Reverse Automatic Braking (RAB) ¹¹	—	—	○

EQUIPMENT CONTENTS

SUBARU STARLINK[™] 8.0-inch Multimedia Navigation system with Apple CarPlay[™], Android[™] Auto, Pandora[®] and Aha[™] smartphone app integration⁶, STARLINK[™] cloud-based applications, including Yelp[®] and iHeartRadio[®], SiriusXM[®] All Access Radio⁸, Traffic^{®14}, and Travel Link^{®14}, high-resolution LCD display, voice-activated controls, AM/FM/CD player, HD Radio[®], dual USB port/iPod[®] control, Bluetooth[®] audio streaming and hands-free phone and text messaging connectivity, and 3.5-mm auxiliary jack

Harman Kardon[®] audio system: 8 speakers and a 432-watt-equivalent amplifier

EyeSight[®] Driver Assist Technology⁹: Pre-Collision Braking System, Pre-Collision Throttle Management, Lane Departure and Sway Warning with Lane Keep Assist, Adaptive Cruise Control

STARLINK[™] Safety Plus and Security Plus⁷: Includes STARLINK[™] Safety Plus features and adds Stolen Vehicle Recovery, Remote Lock/Unlock, Remote Horn & Lights, Remote Vehicle Locator and Vehicle Security Alarm Notification

● Standard ○ Optional — Not equipped □ Available retailer-installed accessory

Crosstrek | Accessories



Trailer Hitch. Rated at 200 lbs tongue weight with 1,500 lbs of towing capacity. Engineered to the same rigorous standards as the rest of the Crosstrek.

Hitch ball not included. Trailer brakes may be required.



Body Side Molding. Attractive color-matched moldings coordinate with the styling of the vehicle while helping to protect the doors from unsightly dings.



Rear Bumper Cover. Helps protect the upper surface of the painted bumper from scratches and dings.



Rockford Fosgate[®] Audio Upgrade. Enhance your Crosstrek audio system to a new level of sound quality so you not only hear the music but feel it. This upgrade consists of an amplifier, upgraded speakers and an integrated digital signal processor tuned to align the system to the listener's preference.



STI Rear Spoiler



STI Alloy Wheel



STI Leather Shift Knob

Sport Package

Give your 2018 Crosstrek an exclusive, custom look. The available Crosstrek Sport Package includes four STI black-finish alloy wheels with STI-branded center caps for the perfect blend of attitude and style.

A dark gray, flush-mounted STI rear spoiler with the STI logo adds a sporty touch, while an STI leather shift knob¹ delivers a sophisticated performance look inside.

¹ Available on Lineartronic® CVT models only.



Crossbar Set – Aero. Increase your vehicle's cargo-carrying capabilities by adding a crossbar set. These aero-style crossbars may be used in conjunction with Genuine Subaru roof attachments and carriers.



Rear Seatback Protector. Provides additional protection to the rear seatbacks when lowering the seats to transport larger cargo.



Auto-Dimming Exterior Mirrors. Enhance your Auto-Dimming Mirror experience by adding the Auto-Dimming Exterior Mirrors with Approach Light. When in traffic, the Auto-Dimming Exterior Mirrors help add to a safer driving experience by reducing headlight glare on the exterior mirrors.

*Requires accessory Auto-Dimming (Interior) Mirror.



Auto-Dimming Mirror with HomeLink. This upgraded auto-dimming mirror detects glare and darkens automatically to protect your vision while featuring an 8-point digital compass. Three backlit HomeLink® buttons can be programmed to operate most garage doors, security gates, home lighting and more. Can also provide you with the last status of your garage door (open or closed) if programmed to a compatible opener featuring two-way communication.



Remote Engine Starter. Allows vehicle to start from the convenience of home or the office (up to 400 feet away depending on obstructions) so that the vehicle interior temperature is more comfortable upon entry.



Splash Guards. Help protect vehicle paint finish from stones and road grime. Set of four.

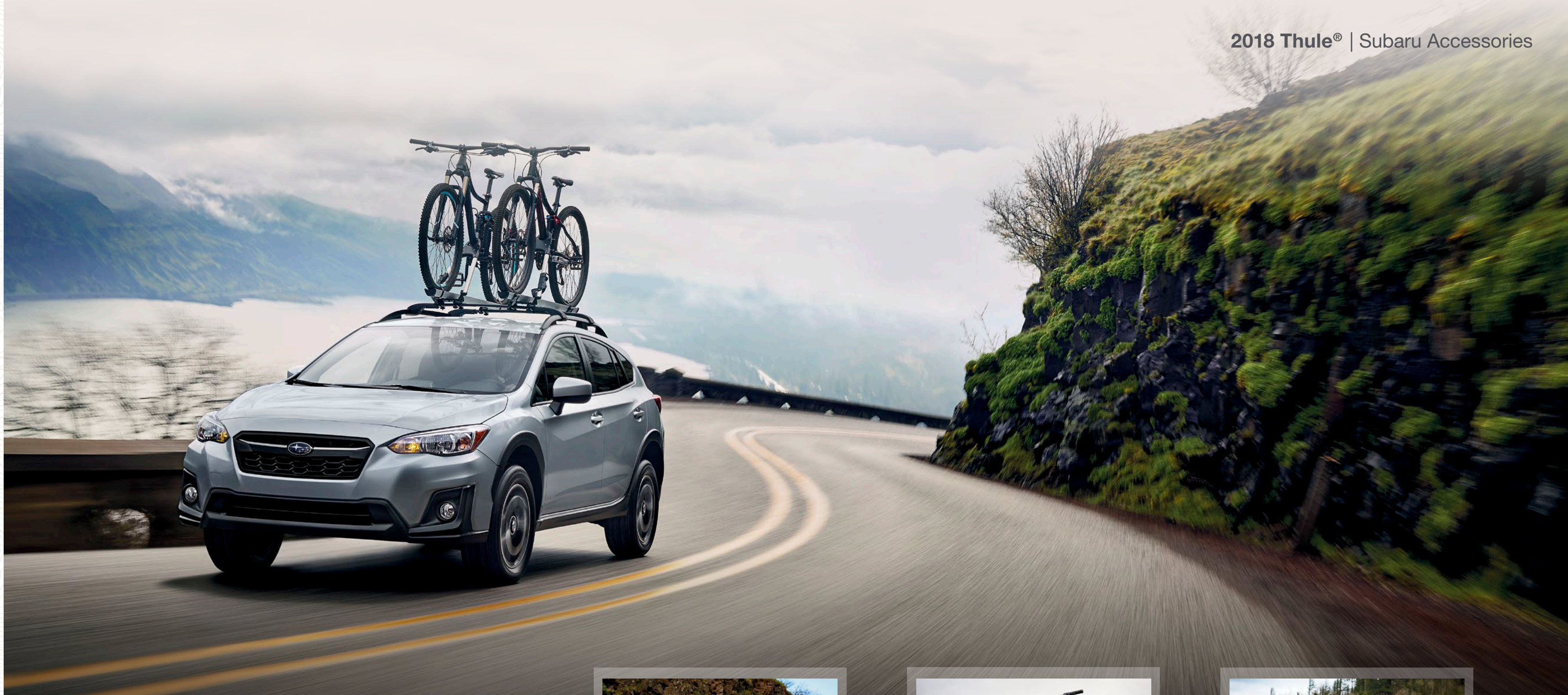


All-Weather Floor Mats. Custom-fitted heavy gauge floor mats help protect the vehicle carpet from sand, dirt and moisture.

Not intended for use on top of Carpeted Floor Mats.



LED Upgrade – Map and Dome Lights. Upgrade your interior map and dome lights with our new LED upgrade accessory. The upgrade offers brighter, whiter and crisper interior lighting of the map and dome lights (shown on the right) than the standard equipment lighting (shown on the left).



Let nothing hold you back.

When your passion is bigger than your cargo area, Genuine Subaru active lifestyle accessory attachments manufactured by Thule® are a smart way to securely transport larger gear like bikes, skis, snowboards, kayaks, paddleboards and more. Each carrier safely attaches to your roof rack and can be removed if needed.



Thule® Kayak Carrier



Thule® Bike Carrier – Roof-Mounted



Thule® Heavy-Duty Roof Cargo Basket

2018 Crosstrek | Owner Benefits

For additional Subaru resources, including owner's manuals, maintenance schedules, roadside assistance and more, log on to www.mysubaru.com

Protecting Your Investment

Once you're part of our family, we'll be there for you. Every Subaru comes with 24-hour roadside assistance for 3 years or 36,000 miles. If you have trouble on the road, a tow to the nearest Subaru retailer and other services are just a phone call away. And to protect you over the long haul, we offer Added Security[®]...ask for it by name—extended service agreements and maintenance plans that will help protect your car for up to 7 years or 100,000 miles. They're the only mechanical and maintenance plans backed by Subaru, and because we've been backing them for more than 30 years, they're agreements you can trust. Your retailer has full coverage details.

Subaru Badge of Ownership

Subaru owners are driven by their passions. Whether hiking to see a sunset or skiing through fresh powder. Paddling through rapids or playing fetch with their furry friend. For many, our exclusive Badge of Ownership lets them personalize their vehicle and express their interests. Owners can go to badgeofownership.com to order FREE Subaru Badge of Ownership lifestyle icons.



Durability



It's not disposable. It's family.

Life moves fast. Don't slow it down with a car you can't trust. At Subaru, we build each of our vehicles with the highest standards of manufacturing, and with designs that are inherently tough and resilient. It's why our vehicles excel in the extreme rigors of rally racing. And why 98% of all vehicles sold in the last 10 years are still on the road today.¹⁵ It's also why Subaru owners are so likely to stay Subaru owners for years and years. What's more, keeping cars on the road means they stay out of landfills longer. And if we can make the world a cleaner and greener place while making cars that inspire and motivate their drivers, we've done our job.

Warranties

New Car Limited Warranty 3 years or 36,000 miles, whichever comes first.

Powertrain Limited Warranty 5 years or 60,000 miles, whichever comes first.

Wear Item Limited Warranty 3 years or 36,000 miles, whichever comes first. Repairs to the following items will also be covered under Wear Item Limited Warranty:

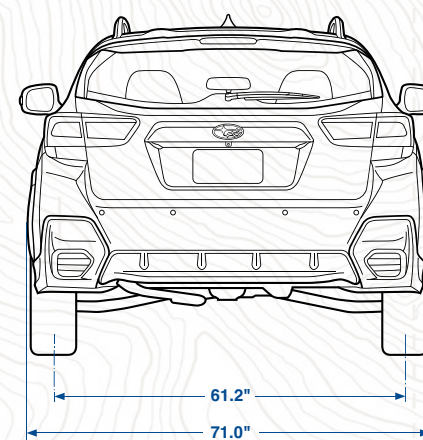
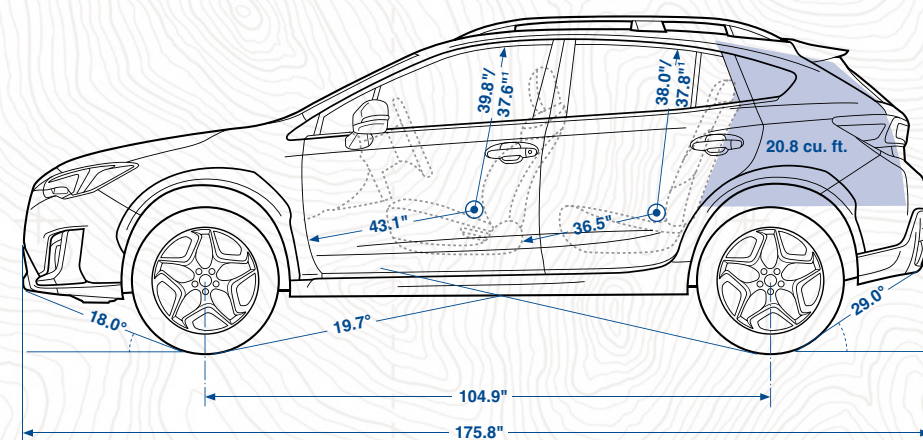
- Brake Pads
- Wiper Blades
- Clutch Linings
- Transmitter Batteries

Rust Perforation Limited Warranty 5 years, unlimited mileage.

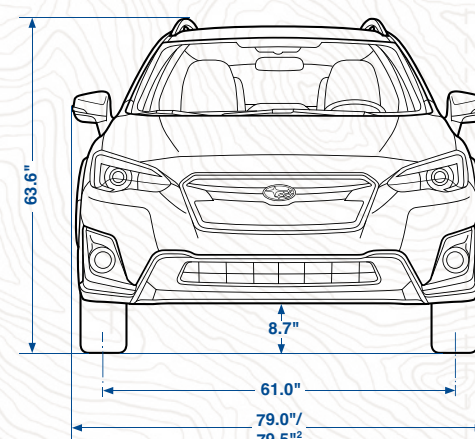
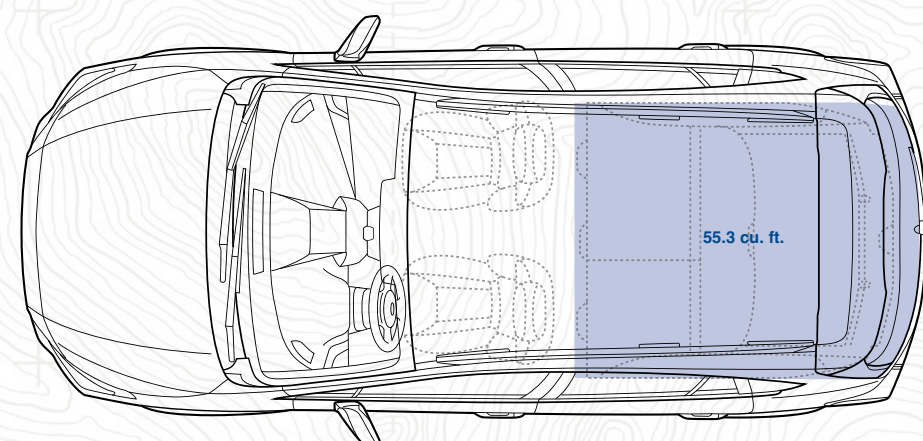
24-hour Roadside Assistance 3 years or 36,000 miles, whichever comes first.

¹ Low mode on 2.0i base trims. Paddle shifters and manual mode not available. ² Requires Lineartronic[®] CVT. ³ 2018 EPA fuel economy estimates. Actual mileage may vary. ⁴ The glass information listed represents calculated reference values, and may not represent actual values determined by testing. ⁵ Available only with other features. See Optional Equipment listing. ⁶ Compatible smartphone and applications required. For applications to operate, latest version of each application is required. Data provided by smartphone is displayed on the audio system screen. Some state laws prohibit the operation of handheld electronic devices while operating a vehicle. Smartphone apps should only be launched when vehicle is safely parked. Your wireless carrier's rates may apply. ⁷ Activation and subscription is required. See your retailer for details. ⁸ Activation and required monthly subscription sold separately. Includes 4-month trial subscription. See your retailer. ⁹ EyeSight is a driver assist technology, which may not operate optimally under all driving conditions. The driver is always responsible for safe and attentive driving. System effectiveness depends on many factors such as vehicle maintenance, weather and road conditions. Pre-Collision Braking System is designed to provide automatic braking that either prevents a collision or reduces the severity of a frontal impact. Pre-Collision Throttle Management is designed to reduce acceleration and minimize the severity of certain frontal impacts. Adaptive Cruise Control and Brake Light Recognition are designed to assist the driver and are not substitutes for safe and attentive driving. The Lane Departure and Sway Warning operates only when the lane markings are visible and its effectiveness depends on many factors. See Owner's Manual for complete details on system operation and limitations. ¹⁰ Blind-Spot Detection, Lane Change Assist and Rear Cross-Traffic Alert are systems designed to assist the driver by monitoring the rear and side areas of the vehicle during a lane change or reversing and are not a substitute for safe and attentive driving. ¹¹ The Reverse Automatic Braking System is not a substitute for safe and attentive driving. System effectiveness depends on many factors, such as vehicle maintenance, weather and road conditions. Always exercise caution and use vehicle mirrors and the Rear-Vision Camera when backing up. See Owner's Manual for complete details on system operation and limitations. ¹² Activation and required subscription sold separately. Includes 1-year trial subscription. See retailer for details. ¹³ The Supplemental Restraint System (SRS) (airbags) affords the driver and the front and rear outboard passengers additional protection in moderate to severe frontal and side-impact collisions. This system provides supplemental protection only, and seatbelts must be worn in order to avoid injuries to out-of-position occupants upon airbag deployment and to provide the best combined protection in a serious accident. Children should always be properly restrained in the rear seat. ¹⁴ Activation and required subscription sold separately. Includes 3-year trial subscription. See your retailer for details. ¹⁵ Based on IHS Markit U.S. vehicles in operation vs. total registrations MY2007-2016 as of January 2017.

2018 Crosstrek | Dimensions



Length/Width/Height	175.8 inches/71.0 inches (79.0/79.5 ² inches, including mirrors)/63.6 inches (with roof rails)
Wheelbase	104.9 inches
Track (front/rear)	61.0 inches/61.2 inches
Base curb weight (manual/automatic)	2.0i: 3,113 lbs/3,157 lbs 2.0i Premium: 3,142 lbs/3,186 lbs 2.0i Limited: N/A/3,230 lbs
Ground clearance	8.7 inches (at base curb weight)



Headroom (front/rear)	39.8 inches/38.0 inches (with moonroof: 37.6 inches/37.8 inches)
Legroom (front/rear)	43.1 inches/36.5 inches
Shoulder room (front/rear)	56.7 inches/55.6 inches
Hip room (front/rear)	55.1 inches/55.2 inches
Passenger volume	100.9 cubic feet (with moonroof: 97.5 cubic feet)
Cargo volume	2.0i: 20.8 cubic feet
Maximum cargo volume	2.0i: 55.3 cubic feet (with rear seatbacks lowered)

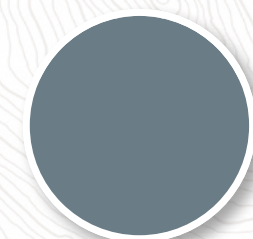
¹ With available moonroof. Moonroof availability varies by trim level.
² With integrated turn signals.

2018 Crosstrek | Colors

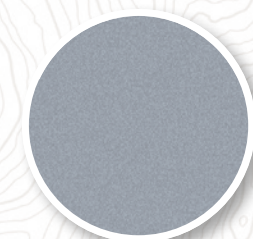
Paint



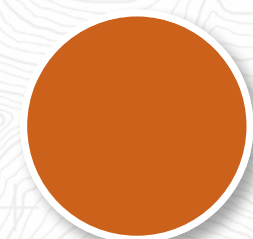
Crystal White Pearl



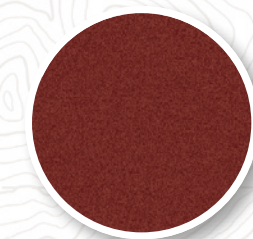
Cool Gray Khaki



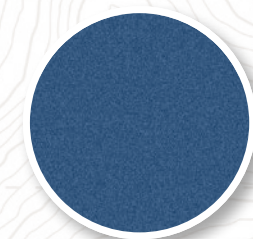
Ice Silver Metallic



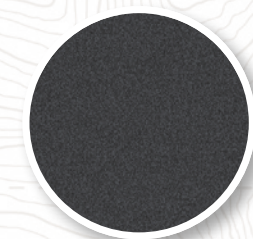
Sunshine Orange



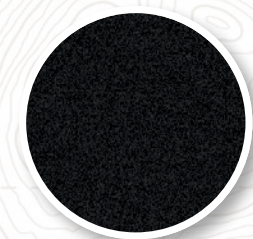
Venetian Red Pearl



Quartz Blue Pearl

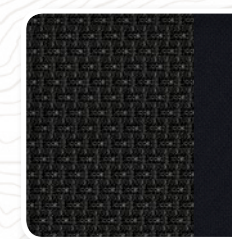


Dark Gray Metallic

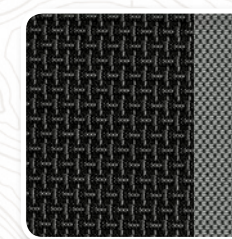


Crystal Black Silica

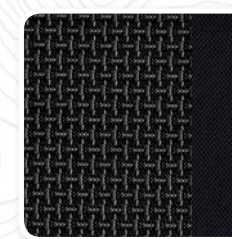
Upholstery



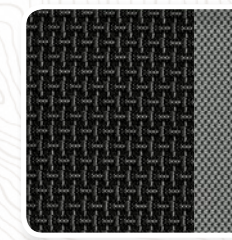
Black Cloth (BC)



Gray Cloth (GC)



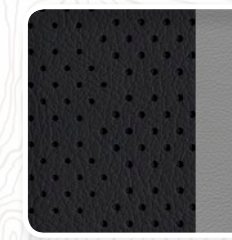
Black Cloth w/ Orange Stitching (BO)



Gray Cloth w/ Orange Stitching (GO)



Black Leather (BL)



Gray Leather (GL)

Color Combinations

	2.0i	2.0i Premium	2.0i Limited
Crystal White Pearl	BC or GC	BO or GO	BL or GL
Cool Gray Khaki	BC	BO	BL
Ice Silver Metallic	BC	BO	BL
Sunshine Orange	BC or GC	BO or GO	BL or GL
Venetian Red Pearl	BC	BO	BL
Quartz Blue Pearl	GC	GO	GL
Dark Gray Metallic	BC or GC	BO or GO	BL or GL
Crystal Black Silica	BC	BO	BL

Take a Guided Tour

It's the ultimate way to get to know the Crosstrek on your terms. Get up close and personal with color configurators, videos, 360-views, interactive content and more.



Online:
tour.subaru.com/Crosstrek2018



SUBARU OF AMERICA

50th
ANNIVERSARY
Est. 1968

These brochures were printed with vegetable-based inks and produced using a "Green Printing Process." The Forest Stewardship Council® (FSC®) is an international organization that brings people together to find solutions which promote responsible stewardship of the world's forests and environments.

By producing these brochures in a green way rather than by traditional methods, we saved 62 trees preserved for the future; 28,793 gallons of wastewater flow saved; 1,928 lbs solid waste not generated; 5,309 lbs net greenhouse gases prevented; 27,000,000 BTUs energy not consumed. Calculations provided by Environmental Paper Network. FSC® is not responsible for any calculations on saving resources by choosing this paper.

This brochure is printed in the U.S.A. on 10% recycled paper. ©2017 Subaru of America, Inc. 18CTK.SRB.525 (S-20330, 125K, 7/17, CG)



Love. It's what makes a Subaru, a Subaru.

