

2018 OUTBACK



The Subaru Outback. Built to take you to the place you've never been.

 **SUBARU.**
Confidence in Motion

Adventure has **no address.**

The 2018 Subaru Outback

We believe that the best adventures are never predetermined and rarely paved. This is why we redesigned the 2018 Outback to minimize limits and maximize versatility, durability,¹ safety and comfort. We began by updating its styling and revamping the interior to enhance the feeling of your drive. For exploring with confidence, we also gave the Outback a standard Rear-Vision Camera and newly available LED Steering Responsive Headlights (SRH). Available SUBARU STARLINK™ Safety and Security can help give your drive even more reassurance.² And thanks to the added connectivity of updated SUBARU STARLINK™ Multimedia with standard Apple CarPlay™ and Android™ Auto integration, you'll experience the journey however you choose.

The Subaru Outback. Built to take you to the place you've never been.



1 | 2018 Outback



Capable

The standard **SUBARU BOXER®** engine and **Lineartronic® CVT (Continuously Variable Transmission)** give you up to **32 highway MPG³** for less stopping and more exploring. With standard **Subaru Symmetrical All-Wheel Drive, X-MODE®** with **Hill Descent Control**, and **8.7 inches of ground clearance**, you'll never fear the road less paved.



Refined

The newly redesigned interior of the Outback is now quieter with added sound insulation and features detailed contrast stitching punctuated by elegant trim throughout. The experience is further enhanced by updated **STARLINK™ Multimedia** with standard **Apple CarPlay™** and **Android™ Auto integration**, connecting you to the possibilities ahead.



Versatile

With standard **60/40-split flat-folding rear seats**, a surprisingly spacious **108.1 cu. ft. interior⁴**; a gear-ready **fold-out roof rack** and an **available power rear gate**, the Outback is built to help you get out there. Just pack up and go.



Safe

To alert you of potential trouble and help you avoid it, the Outback offers a wealth of available features, including **EyeSight® Driver Assist Technology⁵**, **Blind-Spot Detection⁶**, **Rear Cross-Traffic Alert⁶** and **Reverse Automatic Braking (RAB)⁷**. Also, a standard **Rear-Vision Camera** is there to help you check for any obstacles behind you.

¹ Longevity based on the average of vehicles in operation vs. new registrations for each model year using IHS Markit data for MY2007–2016 as of October 2016. ² Activation and required subscription sold separately. Includes 1-year Safety Plus trial subscription. See your retailer for details. ³ EPA estimated fuel economy for 2018 Outback 2.5i at 32 highway MPG. Actual mileage may vary. ⁴ Without available moonroof. ⁵ EyeSight is a driver assist technology, which may not operate optimally under all driving conditions. The driver is always responsible for safe and attentive driving. System effectiveness depends on many factors such as vehicle maintenance, weather and road conditions. See Owner's Manual for complete details on system operations and limitations. ⁶ Blind-Spot Detection, Lane Change Assist and Rear Cross-Traffic Alert are systems designed to assist the driver by monitoring the rear and side areas of the vehicle during a lane change or reversing and are not a substitute for safe and attentive driving. ⁷ Requires EyeSight. This system is not a substitute for safe and attentive driving. System effectiveness depends on many factors, such as vehicle maintenance, weather and road conditions. Always exercise caution and use vehicle mirrors and the Rear-Vision Camera when backing up. See Owner's Manual for complete details on system operation and limitations.

Outback 3.6R Limited in Crystal White Pearl with optional and accessory equipment. Some accessories shown are no longer available through Subaru. Visit your Subaru retailer for current optional and available accessories.

Stops at nothing. **Except a nice view.**

Versatile and Capable

Standard Subaru Symmetrical All-Wheel Drive and 8.7 inches of ground clearance give the Outback the capability to get you just about anywhere. Thanks to its versatile and spacious cargo area, anywhere is closer than you think. The available height-adjustable power rear gate simplifies loading and unloading by opening with a simple push of a button on your key fob or dashboard, while one-touch folding rear seats can easily be collapsed from the rear of the vehicle. Through and through, the Outback was built to help you get out and find what you're looking for.

Efficient and Powerful

Whether you go with the responsive 32 highway MPG¹ 2.5-liter SUBARU BOXER® engine or the smooth and powerful 6-cylinder 256-horsepower 3.6R, the Outback will surprise you with instantly accessible agility.

¹ EPA estimated fuel economy for 2018 Outback 2.5i at 32 highway MPG. Actual mileage may vary.



Power Rear Gate



One-touch Folding Rear Seats

Outback 2.5i Premium in Twilight Blue Metallic with optional and accessory equipment.



Elevate your surroundings.

Outback 3.6R Touring with Java Brown Leather.

5 | 2018 Outback

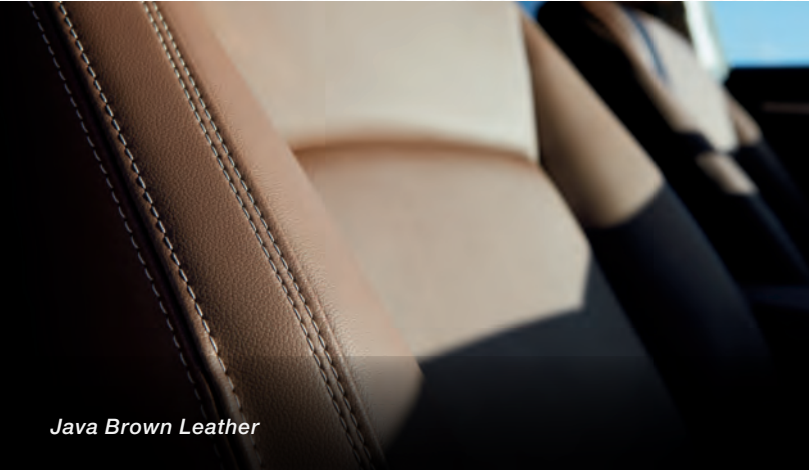
Outback Touring Trim

The perfect complement to the outdoors, the interior of the Outback Touring features exclusive Java Brown leather upholstery with contrast stitching, a redesigned heated steering wheel and new subtle design accents. It also comes fully loaded with every top-tier feature, including EyeSight® Driver Assist Technology,¹ an updated STARLINK™ Multimedia Navigation system, now powered by TomTom® paired with a larger 8-inch touchscreen and a Harman Kardon® 576-watt-equivalent 12-speaker premium audio system.

¹ EyeSight is a driver assist technology, which may not operate optimally under all driving conditions. The driver is always responsible for safe and attentive driving. System effectiveness depends on many factors such as vehicle maintenance, weather and road conditions. See Owner's Manual for complete details on system operations and limitations.



SUBARU STARLINK™ Multimedia Navigation



Java Brown Leather



An open space for open plans.

Step inside the spacious 108.1 cubic-foot cabin¹ of the Outback, and you'll find versatility and comfort from front to back. To heighten your driving experience, we revamped its interior—from a redesigned dash with contrast stitching, to high-quality upholstery, to added sound-deadening materials for considerably reduced cabin noise, each detail was considered. Increasing your connectivity and entertainment options, the 2018 Outback features updated STARLINK™ Multimedia with standard Apple CarPlay,™ Android™ Auto and Pandora® integration, an available 8-inch touchscreen, and access to available STARLINK™ apps,² such as iHeartRadio®, Yelp®, Stitcher™ and much more. We also added available dual rear USB ports so that even your passengers can plug in. The available 10-way adjustable driver's seat with 2-position memory functions will keep you focused and content, while the supple yet supportive reclining and heated² rear seats with 60/40-folding functionality provide first-class treatment for all aboard.

1 Without available moonroof. 2 Availability varies by trim level. See your retailer for details.

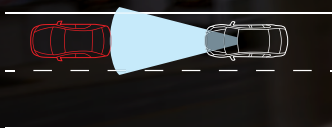
An extra set of eyes every time you drive.

Pre-Collision Braking



A driver ahead unexpectedly hits the brakes or cuts you off. EyeSight^{®1} warns you, applies the brakes and, at lower speeds, can even help you stop your Subaru.

Adaptive Cruise Control



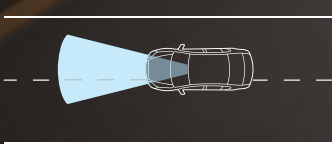
Traffic doesn't always flow smoothly, so EyeSight[®] doesn't only keep a set speed. The system looks ahead and helps your Subaru automatically adjust to keep your distance, even in stop-and-go highway traffic.

Pre-Collision Throttle Management



If you put the car in Drive instead of Reverse and EyeSight[®] sees an object in your path, it cuts power to help you avoid accelerating into it.

Lane Departure and Sway Warning



You accidentally drift to the edge of your lane and begin to cross into another. EyeSight[®] watches for lane markers and chimes to warn you before you leave your lane, and it can even help steer you back into your proper course, thanks to Lane Keep Assist.



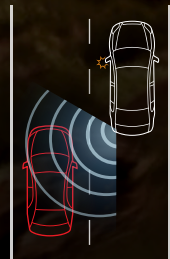
Safe and sound is what we do best.

Enhanced Safety Features

In terms of safety, the 2018 Outback is one of our proudest achievements. Standard features include a Rear-Vision Camera and eight airbags¹ that help protect you from multiple angles. Available features like Blind-Spot Detection with Lane Change Assist and Rear Cross-Traffic Alert² help alert you to moving danger you don't see coming, while available Reverse Automatic Braking (RAB)^{3,4} can step in to help stop your vehicle should you not see an object behind you when backing up. Newly available for 2018, LED Steering Responsive Headlights (SRH) help you see around corners by pointing the way as you turn, while High Beam Assist (HBA)⁴ activates or dims your high beams automatically, providing you maximum visibility at all times.

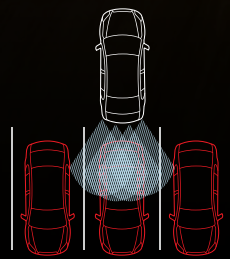


11 | 2018 Outback



Blind-Spot Detection

Using radar sensors, Blind-Spot Detection warns you with a visual indicator in your side mirror if it senses a vehicle in your blind spot. Another feature of this system, Lane Change Assist, alerts you with a flashing indicator in each side mirror if it senses a vehicle approaching in a neighboring lane while you signal for a lane change.²



Reverse Automatic Braking

Reverse Automatic Braking^{3,4} can detect objects directly behind your vehicle when backing up at a low speed and can help bring the Outback to a stop should an object be detected within its range and the driver fail to act. There's also a standard Rear-Vision Camera to help you keep an eye out.



Rear Cross-Traffic Alert

Rear Cross-Traffic Alert² uses radar sensors to help warn you of traffic approaching from the side as you are backing up, utilizing a flashing visual indicator in your side mirror and an audible warning.



SUBARU STARLINK™ Safety and Security

Providing extra peace of mind, STARLINK™ Safety and Security gives you instant access to help when you need it most. With Automatic Collision Notification to send first responders when an airbag deploys, Stolen Vehicle Recovery to help police locate your vehicle if it's stolen and more, STARLINK™ Safety and Security helps keep you and your Subaru safe.⁵

1 Always wear seatbelts. Children should be properly restrained in the rear seat. 2 Blind-Spot Detection, Lane Change Assist and Rear Cross-Traffic Alert are systems designed to assist the driver by monitoring the rear and side areas of the vehicle during a lane change or reversing and are not a substitute for safe and attentive driving. 3 This system is not a substitute for safe and attentive driving. System effectiveness depends on many factors, such as vehicle maintenance, weather and road conditions. Always exercise caution and use vehicle mirrors and the Rear-Vision Camera when backing up. See Owner's Manual for complete details on system operation and limitations. 4 Requires EyeSight. 5 Activation and required subscription sold separately. Includes 1-year Safety Plus trial subscription. See your retailer for details.



The Subaru Outback retains its value better than any other vehicle in its class for 2017, according to ALG.¹



The Subaru Outback was named a 2017 **Best Car for Families** by *U.S. News & World Report*.²

2018 Outback | Trim Levels



2.5i

- 175-hp 2.5-liter 4-cylinder SUBARU BOXER® engine
- Subaru Symmetrical All-Wheel Drive with Active Torque Vectoring
- Lineartronic® CVT (Continuously Variable Transmission) with 6-speed manual-mode paddle shifters
- X-MODE® featuring Hill Descent Control (HDC)
- 17-inch aluminum-alloy wheels
- SUBARU STARLINK™ 6.5-inch Multimedia with Apple CarPlay™, Android™ Auto, Pandora® and Aha™ smartphone app integration⁷, high-resolution LCD touchscreen display, 4 speakers, AM/FM stereo, USB port/iPod® control, Bluetooth® audio streaming and hands-free phone connectivity
- Cloth upholstery
- 6-way manually adjustable driver's seat and 4-way manually adjustable front-passenger's seat
- Manually adjustable CFC-free air conditioning system with air filtration
- Driver's auto-up/down power window
- In-dash and cargo-area 12-volt power outlets
- Cargo-area tray, tie-downs and grocery bag hooks
- Welcome lighting
- Auto-on/off wiper-linked headlights



2.5i Premium

- Includes 2.5i key features and adds:**
- SUBARU STARLINK™ 8.0-inch Multimedia Plus with Apple CarPlay™, Android™ Auto, Pandora® and Aha™ smartphone app integration⁷, STARLINK™ cloud-based applications, including Yelp®, iHeartRadio®, Magellan® navigation⁸, SiriusXM® All Access Radio⁹ and Travel Link¹⁰, high-resolution LCD touchscreen display, 6 speakers, AM/FM/CD player, HD Radio®, USB port/iPod® control, Bluetooth® audio streaming and hands-free phone and text messaging connectivity
 - Fog lights
 - 10-way power adjustable driver's seat
 - All-Weather Package: Heated exterior mirrors, 3-mode heated front seats, windshield wiper de-icer
 - Dual-zone automatic climate control system
 - Leather-wrapped steering wheel and shifter handle
 - Front-passenger's auto-up/down power window
 - Electroluminescent gauges with LCD color display
 - STARLINK™ Safety Plus enabled¹⁰: Automatic Collision Notification, SOS Emergency Assistance, Enhanced Roadside Assistance, Maintenance Notifications, Monthly Vehicle Health Report, Diagnostic Alerts



2.5i Limited

- Includes 2.5i Premium key features and adds:**
- Leather-trimmed upholstery with distinctive stitching
 - 10-way power adjustable driver's seat with 2-position memory and 4-way power adjustable front-passenger's seat
 - Blind-Spot Detection with Lane Change Assist and Rear Cross-Traffic Alert¹¹
 - Harman Kardon® premium audio system with 576-watt-equivalent GreenEdge® amplifier and 12 speakers, including center dash speaker and subwoofer
 - 18-inch aluminum-alloy wheels in black with machine finish
 - Power moonroof
 - Keyless Access with Push-Button Start
 - Power rear gate with height memory functions
 - All-Weather Package: Heated exterior mirrors, 3-mode heated front seats and dual-mode heated rear seats, windshield wiper de-icer
 - Woodgrain-patterned matte finish accent trim
 - Side mirrors with integrated turn signals



The Subaru Outback is the most **fuel-efficient** vehicle in its class.³

IHS Markit



Subaru is Kelley Blue Book's 2017 **Most Trusted Brand**, **Best Overall Brand**, and **Lowest 5-Year Cost to Own**.⁴



The Subaru Outback is the **longest-lasting** vehicle in its class.⁵

IHS Markit



2.5i Touring

- Includes 2.5i Limited key features and adds:**
- Java Brown leather-trimmed upholstery
 - Heated steering wheel
 - LED Steering Responsive Headlights (SRH)
 - Low-profile roof rails in silver finish
 - 18-inch aluminum-alloy wheels in dark gray with machine finish
 - Lower door cladding with chrome accents
 - Body-color door handles with chrome inserts
 - Rear bumper cover
 - Unique woodgrain-patterned matte finish accent trim
 - Piano gloss black interior trim
 - SUBARU STARLINK™ 8.0-inch Multimedia Navigation system with Apple CarPlay™, Android™ Auto, Pandora® and Aha™ smartphone app integration⁷, SiriusXM® All Access Radio⁹, Traffic¹² and Travel Link¹⁰
 - EyeSight® Driver Assist Technology¹³
 - High Beam Assist (HBA)
 - Reverse Automatic Braking (RAB)¹⁴



3.6R Limited

- Includes 2.5i Limited key features and adds:**
- 256-hp 3.6-liter 6-cylinder SUBARU BOXER® engine
 - LED Steering Responsive Headlights (SRH)
 - Lineartronic® HCVT (High-Torque Continuously Variable Transmission) with 6-speed manual-mode paddle shifters
 - Dual exhaust outlets



3.6R Touring

- Includes 2.5i Touring key features and adds:**
- 256-hp 3.6-liter 6-cylinder SUBARU BOXER® engine
 - Lineartronic® HCVT (High-Torque Continuously Variable Transmission) with 6-speed manual-mode paddle shifters
 - Dual exhaust outlets



The Subaru Outback was named a **Best Family Car of 2017** by Kelley Blue Book's KBB.com.⁶



¹ ALG is the industry benchmark for residual values and depreciation data, www.alg.com. ² View U.S. News Best Cars at www.usnews.com/cars. ³ Based on EPA-estimated highway fuel economy for MY2016 vehicles within the Non-Luxury Midsize CUV segment. Segment definition supplied by IHS Markit. Actual mileage may vary. ⁴ 2017 Kelley Blue Book Brand Image Awards are based on the Brand Watch™ study from Kelley Blue Book Strategic Insights. Award calculated among non-luxury shoppers. 2017 model-year vehicle's projected cost to own for the initial five-year ownership period is based on the average Kelley Blue Book 5-Year Cost to Own data which considers depreciation and costs such as fuel and insurance. For more information, visit www.kbb.com. Kelley Blue Book is a registered trademark of Kelley Blue Book Co., Inc. ⁵ Based on the average of vehicles in operation vs. new registrations for each model year using IHS Markit data for MY2007-2016 as of October 2016. ⁶ For more information, visit www.kbb.com. Kelley Blue Book is a registered trademark of Kelley Blue Book Co., Inc. ⁷ Compatible smartphone and applications required. For applications to operate, latest version of each application is required. Data provided by smartphone is displayed on the audio system screen. Some state laws prohibit the operation of handheld electronic devices while operating a vehicle. Smartphone apps should only be launched when vehicle is safely parked. Your wireless carrier's rates may apply. ⁸ Activation and subscription required. See your retailer for details. ⁹ Activation and required monthly subscription sold separately. Includes 4-month trial subscription. See your retailer. ¹⁰ Activation and required subscription sold separately. Includes 1-year trial subscription. See your retailer for details. ¹¹ Blind-Spot Detection, Lane Change Assist and Rear Cross-Traffic Alert are systems designed to assist the driver by monitoring the rear and side areas of the vehicle during a lane change or reversing and are not a substitute for safe and attentive driving. ¹² Activation and monthly subscription sold separately. Includes 3-year trial subscription. See your retailer. ¹³ EyeSight is a driver assist technology, which may not operate optimally under all driving conditions. The driver is always responsible for safe and attentive driving. System effectiveness depends on many factors such as vehicle maintenance, weather and road conditions. See Owner's Manual for complete details on system operation and limitations. ¹⁴ This system is not a substitute for safe and attentive driving. System effectiveness depends on many factors, such as vehicle maintenance, weather and road conditions. Always exercise caution and use vehicle mirrors and the Rear-Vision Camera when backing up. See Owner's Manual for complete details on system operation and limitations.

2018 Outback | Specifications

Engine and Drivetrain		2.5i	3.6R
Engine Power Torque	2.5-liter DOHC aluminum-alloy 16-valve 4-cylinder horizontally opposed SUBARU BOXER® engine with Active Valve Control System (AVCS). 175 hp @ 5,800 rpm 174 lb-ft @ 4,000 rpm	●	—
	3.6-liter DOHC aluminum-alloy 24-valve 6-cylinder horizontally opposed SUBARU BOXER® engine with Dual Active Valve Control System (DAVCS). 256 hp @ 6,000 rpm 247 lb-ft @ 4,400 rpm	—	●
Automatic Transmission	Lineartronic® CVT (Continuously Variable Transmission) with Adaptive Control, Hill Holder® and 6-speed manual mode with paddle shifters.	●	—
	Lineartronic® HCVT (High-Torque Continuously Variable Transmission) with Adaptive Control, Hill Holder® and 6-speed manual mode with paddle shifters.	—	●
CA Emissions		LEV III/SULEV 30	LEV III/ULEV 125
Maximum Towing Capacity	2,700 lbs. (certain limitations apply)	●	●
Traction and Stability			
All-Wheel Drive type	Subaru Symmetrical All-Wheel Drive	●	●
X-MODE®	X-MODE® optimizes engine output and transmission ratio, increases all-wheel drive system engagement and uses enhanced control of the VDC system to reduce individual wheelspin, providing optimal traction on low-friction surfaces.	●	●
Hill Descent Control (HDC)	X-MODE® also incorporates Hill Descent Control that helps to maintain a constant vehicle speed when traveling downhill, enhancing vehicle control.	●	●
Vehicle Dynamics Control (VDC)	VDC electronic stability control utilizes sensors that constantly monitor wheel speeds, steering angle, brake pressure, vehicle yaw rate and lateral g-forces. If VDC detects a difference between the driver's intended path and the one the vehicle is actually taking, VDC applies braking power and/or reduces engine torque to help correct vehicle path.	●	●
Active Torque Vectoring	Active Torque Vectoring works in tandem with VDC to apply braking power to the inside front wheel, resulting in better handling, sharper turn-in, more neutral steering and higher cornering limits when turning.	●	●
Traction Control System (TCS)	VDC also incorporates an all-wheel, all-speed traction control system, which senses a loss of traction and applies braking force to the slipping wheel or wheels as necessary to maintain vehicle motion.	●	●

2018 Outback | Specifications

Fuel		2.5i	3.6R
Economy	city/highway/combined ¹	25/32/28 mpg	20/27/22 mpg
Fuel Requirement	Unleaded gasoline (87 octane)	●	●
Fuel Capacity	18.5 gallons	●	●
Chassis			
Steering	Electric power-assisted rack-and-pinion steering (EPAS). Turning circle: 36.1 feet.	●	●
Suspension	4-wheel independent raised suspension. Front: MacPherson strut type. Stabilizer bar. Rear: Double-wishbone. Stabilizer bar.	●	●
Brakes	4-wheel disc. Ventilated front and rear. 4-channel, 4-sensor ABS with Electronic Brake-force Distribution (EBD)	●	●
Brake Discs (front/rear)	12.4 inches/11.8 inches	●	●
Brake Assist	When emergency braking is detected by how quickly the brake pedal is pressed, maximum brake pressure is immediately applied.	●	●
Brake Override System	If both brake and accelerator pedals are pressed simultaneously, the system reduces the operation of the accelerator pedal to help prevent unintentional vehicle acceleration.	●	●
Electronic Parking Brake		●	●
Wheels and Tires			
Wheels	2.5i and 2.5i Premium: 17 x 7.0-inch aluminum-alloy. Silver finish.	●	—
	2.5i Limited and 3.6R Limited: 18 x 7.0-inch aluminum-alloy. Black with machine finish. 2.5i Touring and 3.6R Touring: 18 x 7.0-inch aluminum-alloy. Dark gray with machine finish.	●	●
Tires	2.5i and 2.5i Premium: 225/65 R17 102H All-season	●	—
	2.5i Limited, 2.5i Touring, 3.6R Limited and 3.6R Touring: 225/60 R18 100H All-season	●	●
Spare Tire	Temporary use T155/80 R17	●	●

2018 Outback | Equipment

Exterior	2.5i	2.5i Premium	2.5i Limited	2.5i Touring	3.6R Limited	3.6R Touring
Projector low-beam and multireflector high-beam halogen headlights	●	●	●	—	—	—
LED Steering Responsive Headlights (SRH)	—	—	○ ²	●	●	●
Fog lights	—	●	●	●	●	●
Body-color folding side mirrors	—	●	—	—	—	—
Body-color folding side mirrors with integrated turn signals	—	○ ²	●	●	●	●
Heated side mirrors and windshield wiper de-icer (All-Weather Package)	—	●	●	●	●	●
Power tilt/sliding-glass moonroof (95% UVA and 99% UVB light reducing) ³	—	○ ²	●	●	●	●
Roof rails with integrated and retractable cross bars and tie-downs (150 lbs maximum capacity)	●	●	●	—	●	—
Touring Appearance Upgrades: Distinctive dark-gray front grille, dark-gray with machine finish alloy wheels, low-profile roof rails with silver finish, lower door cladding with chrome accents, body-color door handles with chrome inserts and rear bumper cover	—	—	—	●	—	●
Seating and Trim						
6-way manually adjustable driver's seat. 4-way manually adjustable front-passenger's seat.	●	—	—	—	—	—
10-way power adjustable driver's seat with power adjustable lumbar support. 4-way manually adjustable front-passenger's seat.	—	●	—	—	—	—
10-way power adjustable driver's seat with 2-position memory and power adjustable lumbar support. 4-way power front-passenger's seat.	—	—	●	●	●	●
Heated front seats (All-Weather Package)	—	●	—	—	—	—
Heated front and rear seats (All-Weather Package)	—	—	●	●	●	●
Heated steering wheel	—	—	—	●	—	●
Reclining, 60/40-split flat-folding rear seatbacks	●	●	●	●	●	●
Leather-wrapped steering wheel and shifter handle	—	●	●	●	●	●
Cloth upholstery	●	●	—	—	—	—
Leather-trimmed upholstery	—	—	●	●	●	●
Silver metallic accent trim with knurled finish	●	●	—	—	—	—
Woodgrain-patterned matte finish accent trim	—	—	●	—	●	—
Unique woodgrain-patterned matte finish trim with silver accents	—	—	—	●	—	●
Convenience Features						
Keyless Access with Push-Button Start and PIN-code vehicle access	—	—	●	●	●	●
Power rear gate with automatic close and height memory	—	○ ²	●	●	●	●
Welcome lighting (when approaching or departing vehicle)	●	●	●	●	●	●
Auto-on/off wiper-linked headlights	●	●	●	●	●	●
Auto-dimming rearview compass mirror with HomeLink [®]	—	○ ²	●	●	●	●
Driver's and front-passenger's auto-up/down power windows	—	●	●	●	●	●
3-spoke steering wheel with audio system, Bluetooth [®] and cruise control buttons	●	●	●	●	●	●
Manually adjustable tilt/telescoping steering column	●	●	●	●	●	●
8 cup and bottle holders	●	●	●	●	●	●
Cargo-area tray and underfloor storage compartment	●	●	●	●	●	●
Audio and Communication Systems						
SUBARU STARLINK™ 6.5-inch Multimedia with Apple CarPlay™, Android™ Auto, Pandora® and Aha™ smartphone app integration ⁴ , high-resolution LCD touchscreen display, 4 speakers, AM/FM stereo, USB port/iPod® control, Bluetooth® audio streaming and hands-free phone connectivity, and 3.5-mm auxiliary jack	●	—	—	—	—	—
SUBARU STARLINK™ 8.0-inch Multimedia Plus with Apple CarPlay™, Android™ Auto, Pandora® and Aha™ smartphone app integration ⁴ , STARLINK™ cloud-based applications, including Yelp®, iHeartRadio®, Magellan® navigation ⁵ , SiriusXM® All Access Radio ⁶ and Travel Link ^{®6} , AM/FM/CD player, HD Radio®, USB port/iPod® control, Bluetooth® audio streaming and hands-free phone and text messaging connectivity, and 3.5-mm auxiliary jack	—	●	●	—	●	—
SUBARU STARLINK™ 8.0-inch Multimedia Navigation system with Apple CarPlay™, Android™ Auto, Pandora® and Aha™ smartphone app integration ⁴ , STARLINK™ cloud-based applications, including Yelp® and iHeartRadio®, SiriusXM® All Access Radio ⁶ , Traffic ^{®7} , and Travel Link ^{®7} , high-resolution LCD touchscreen display, voice-activated controls, AM/FM/CD player, HD Radio®, USB port/iPod® control, Bluetooth® audio streaming and hands-free phone and text messaging connectivity, and 3.5-mm auxiliary jack	—	○ ²	○ ²	●	○ ²	●
6 speakers	—	●	—	—	—	—
Harman Kardon® premium audio system with a 576-watt-equivalent GreenEdge® amplifier and 12 speakers	—	—	●	●	●	●

2018 Outback | Equipment

Climate Control	2.5i	2.5i Premium	2.5i Limited	2.5i Touring	3.6R Limited	3.6R Touring
Manually adjustable CFC-free air-conditioning system with controls for temperature, fan speed and airflow direction	●	—	—	—	—	—
Dual-zone automatic digital climate control system with controls for temperature, fan speed, airflow direction, dual-zone lockout and CFC-free air conditioning	—	●	●	●	●	●
Instrumentation						
Analog speedometer, tachometer, coolant temperature and fuel level gauges. LCD color screen, displaying vehicle functions.	●	—	—	—	—	—
Electroluminescent analog speedometer, tachometer, coolant temperature and fuel level gauges. Enhanced LCD color screen, displaying vehicle functions.	—	●	●	●	●	●
Security						
Keyless entry system with answer-back electronic chirp	●	●	●	●	●	●
Antitheft security system with engine immobilizer	●	●	●	●	●	●
Safety						
ACTIVE						
Subaru Symmetrical All-Wheel Drive (AWD)	●	●	●	●	●	●
EyeSight® Driver Assist Technology ⁸	—	○ ²	○ ²	●	○ ²	●
Blind-Spot Detection with Lane Change Assist and Rear Cross-Traffic Alert ⁹	—	○ ²	●	●	●	●
High Beam Assist (HBA)	—	○ ²	○ ²	●	○ ²	●
Reverse Automatic Braking (RAB) ¹⁰	—	—	○ ²	●	○ ²	●
Tire Pressure Monitoring System (TPMS)	●	●	●	●	●	●
LED Daytime Running Lights (DRL)	●	●	●	●	●	●
Rear-Vision Camera (hi-resolution)	●	●	●	●	●	●
PASSIVE						
STARLINK™ Safety Plus enabled ¹¹ : Automatic Collision Notification, SOS Emergency Assistance, Enhanced Roadside Assistance, Maintenance Notifications, Monthly Vehicle Health Report, Diagnostic Alerts	—	●	●	●	●	●
Subaru advanced frontal airbag system with driver's and front-passenger's front airbags (SRS) ¹²	●	●	●	●	●	●
Driver and front-passenger's seat cushion airbags (SRS) ¹²	●	●	●	●	●	●
Side-curtain airbags with rollover sensor protecting front and rear outboard occupants (SRS) ¹²	●	●	●	●	●	●
Seat-mounted front side-impact airbags (SRS) ¹²	●	●	●	●	●	●
Whiplash-protection front seats with height-adjustable head restraints	●	●	●	●	●	●
Height-adjustable 3-point front seatbelts with pretensioners and force limiters	●	●	●	●	●	●
3-point seatbelts at all rear seating positions	●	●	●	●	●	●
Rear child-safety locks	●	●	●	●	●	●
LATCH system: Lower Anchors and Tethers for CHildren	●	●	●	●	●	●
Optional Equipment						
STARLINK™ Safety Plus and Security Plus ⁵	—	○	○	○	○	○
Power rear gate with height memory • Power Moonroof Package	—	○	—	—	—	—
EyeSight® Driver Assist Technology ⁸ • Blind-Spot Detection with Rear Cross-Traffic Alert ⁹ • High Beam Assist (HBA) • Power rear gate with height memory	—	○	—	—	—	—
EyeSight® Driver Assist Technology ⁸ • Blind-Spot Detection with Rear Cross-Traffic Alert ⁹ • High Beam Assist (HBA) • SUBARU STARLINK™ 8.0-inch Multimedia Navigation system • Power rear gate with height memory • Power Moonroof Package	—	○	—	—	—	—
EyeSight® Driver Assist Technology ⁸ • High Beam Assist (HBA) • Reverse Automatic Braking (RAB) ¹⁰ • SUBARU STARLINK™ 8.0-inch Multimedia Navigation system • LED Steering Responsive Headlights (SRH) ¹³	—	—	○	—	○	—
EQUIPMENT CONTENTS						
Power Moonroof Package: Power tilt/sliding-glass moonroof and auto-dimming rearview compass mirror with HomeLink [®]						
EyeSight® Driver Assist Technology⁸: Pre-Collision Braking System, Pre-Collision Throttle Management, Lane Departure and Sway Warning with Lane Keep Assist, Adaptive Cruise Control						
STARLINK™ Safety Plus and Security Plus⁵: Includes STARLINK™ Safety Plus features and adds Stolen Vehicle Recovery, Remote Lock/Unlock, Remote Horn & Lights, Remote Vehicle Locator and Vehicle Security Alarm Notification						
● Standard ○ Optional — Not equipped □ Available retailer-installed accessory						

For a complete list of available accessories, visit your local Subaru retailer or visit www.subaru.com



Splash Guards. Help protect the vehicle's paint finish from stones and road grime.



Cargo Organizer. Conveniently transport your outdoor gear or up to four grocery bags neatly in the back. Quickly collapses for easy storage when not in use.



Body Side Molding. Attractive color-matched moldings coordinate with the styling of the vehicle while helping to protect doors from unsightly dings.



Auto-Dimming Exterior Mirror with Approach Light. When the doors are opened or unlocked with the key fob, LED lights on the sideview mirrors will cast light on all four doors and the ground near the vehicle. Also, when the Auto-Dimming (Interior) Mirror detects excessive light from the rear of the vehicle, the sideview mirrors automatically dim.



Auto-Dimming Mirror with HomeLink. This upgraded auto-dimming mirror detects glare and darkens automatically to protect your vision while featuring an 8-point digital compass. Three backlit HomeLink buttons can be programmed to operate most garage doors, security gates, home lighting and more. Can also provide you with the last status of your garage door (open or closed) if programmed to a compatible opener featuring two-way communication.



Remote Engine Starter. Allows vehicle to be started by pushing a button from the convenience of home or office (up to 400 feet away depending on obstructions) so that the vehicle interior is more comfortable upon entry.
A/T only.



Trailer Hitch. Heavy-duty rated at 2,700 lbs. towing capacity and 200 lbs. tongue weight. Hitch ball not included. Trailer brakes may be needed.



Moonroof Air Deflector. Helps reduce wind noise and sun glare.



All-Weather Floor Mats. Custom-fitted, heavy-gauge protective mats. Help protect vehicle's carpet from sand, dirt and moisture. Not intended for use on top of carpeted floor mats.



Thule® Crossbar Set – Touring. This crossbar set is designed to exclusively clamp to the Outback Touring side rails, providing a strong, stable platform for all of your accessories. Bars include a textured top surface that disturbs the airflow, therefore reducing wind noise.



Side Window Deflectors. Let the fresh air in while helping to keep the weather out. Deflector design includes integrated chrome insert to match window frame trim.
Side Window Deflectors may not be legal in all states. Please check the laws of your state.



Door Edge Guards. Help protect your door edges from dings and dents with custom-fit, body-color-matched, stainless steel Door Edge Guards. They are easy to install and preserve the appearance of your Subaru while seamlessly blending into the door design.



Outfit your Outback.

When your passion is bigger than your cargo area, look no further than our Genuine Subaru active lifestyle accessory attachments manufactured by Thule.® Battle-tested and owner-approved, they'll help you transport gear like bikes, skis, snowboards, kayaks and paddleboards, so your Subaru perfectly complements your active lifestyle.



Thule® Bike Carrier – Fork-Mounted and Roof-Mounted



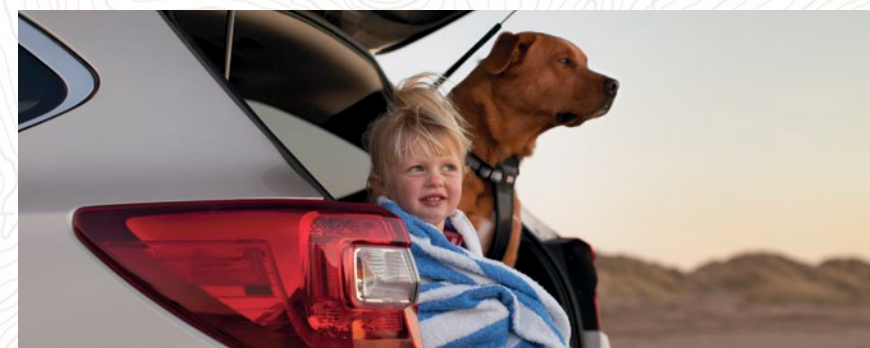
Thule® Cargo Carrier – Extended and Roof-Mounted

2018 Outback | Owner Benefits

For additional Subaru resources, including owner's manuals, maintenance schedules, roadside assistance and more, log on to www.mysubaru.com

Protecting Your Investment

Once you're part of our family, we'll be there for you. Every Subaru comes with 24-hour roadside assistance for 3 years or 36,000 miles. If you have trouble on the road, a tow to the nearest Subaru retailer and other services are just a phone call away. And to protect you over the long haul, we offer Added Security®...ask for it by name—extended service agreements and maintenance plans that will help protect your car for up to 7 years or 100,000 miles. They're the only mechanical and maintenance plans backed by Subaru, and because we've been backing them for more than 30 years, they're agreements you can trust. Your retailer has full coverage details.



Subaru Badge of Ownership

Subaru owners are driven by their passions. Whether hiking to see a sunset or skiing through fresh powder. Paddling through rapids or playing fetch with their furry friend. For many, our exclusive Badge of Ownership lets them personalize their vehicle and express their interests. Owners can go to badgeofownership.com to order FREE Subaru Badge of Ownership lifestyle icons.



Durability



Responsible. Reliable. Ready to join the family.

At Subaru, we're committed to building a lasting, rewarding relationship with you and the world we share. We start by building our vehicles to last—it's why the Outback is the longest-lasting vehicle in its class.¹⁴ We also share your desire for a cleaner, greener world. In 2004, Subaru of Indiana Automotive, Inc. (SIA) became the first manufacturing facility in the U.S. to reach zero-landfill status—nothing from its manufacturing efforts ever goes into a landfill. Subaru is also headquartered in a zero-landfill office in Cherry Hill, N.J.

Warranties

New Car Limited Warranty 3 years or 36,000 miles, whichever comes first.

Powertrain Limited Warranty 5 years or 60,000 miles, whichever comes first.

Wear Item Limited Warranty 3 years or 36,000 miles, whichever comes first. Repairs to the following items will also be covered under Wear Item Limited Warranty:

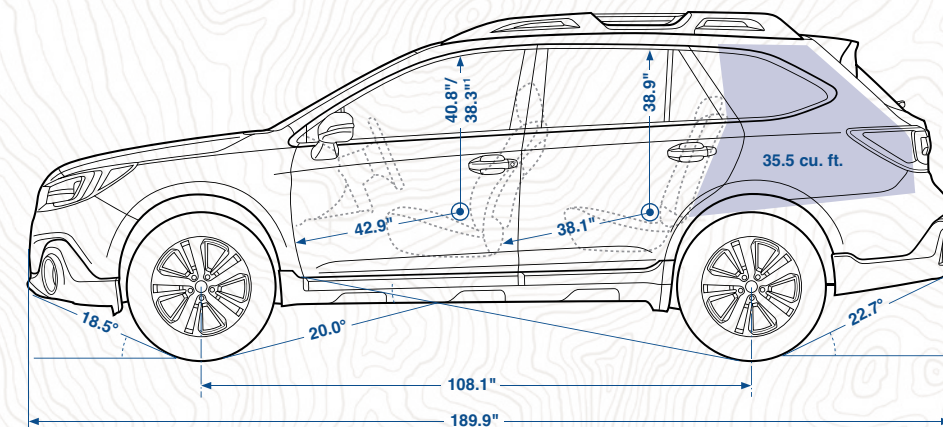
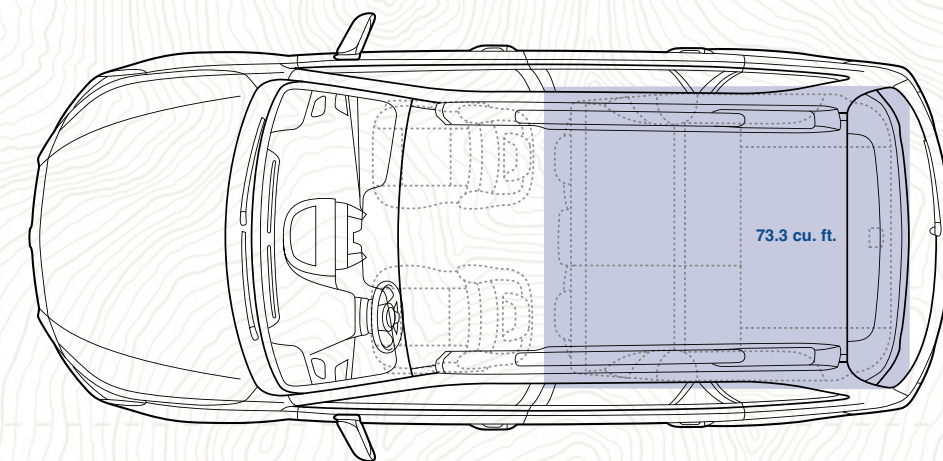
- Brake Pads
- Wiper Blades
- Clutch Linings
- Transmitter Batteries

Rust Perforation Limited Warranty 5 years, unlimited mileage.

24-hour Roadside Assistance 3 years or 36,000 miles, whichever comes first.

¹ 2018 EPA fuel economy estimates. Actual mileage may vary. ² Available only with other features. See Optional Equipment listing. ³ The glass information listed represents calculated reference values, and may not represent actual values determined by testing. ⁴ Compatible smartphone and applications required. For applications to operate, latest version of each application is required. Data provided by smartphone is displayed on the audio system screen. Some state laws prohibit the operation of handheld electronic devices while operating a vehicle. Smartphone apps should only be launched when vehicle is safely parked. Your wireless carrier's rates may apply. ⁵ Activation and subscription is required. See your retailer for details. ⁶ Activation and required monthly subscription sold separately. Includes 4-month trial subscription. See your retailer. ⁷ Activation and monthly subscription sold separately. Includes 3-year trial subscription. See your retailer. ⁸ EyeSight is a driver assist technology, which may not operate optimally under all driving conditions. The driver is always responsible for safe and attentive driving. System effectiveness depends on many factors such as vehicle maintenance, weather and road conditions. Pre-Collision Braking System is designed to provide automatic braking that either prevents a collision or reduces the severity of a frontal impact. Pre-Collision Throttle Management is designed to reduce acceleration and minimize the severity of certain frontal impacts. Adaptive Cruise Control and Brake Light Recognition are designed to assist the driver and are not substitutes for safe and attentive driving. The Lane Departure and Sway Warning operates only when the lane markings are visible and its effectiveness depends on many factors. See Owner's Manual for complete details on system operation and limitations. ⁹ Blind-Spot Detection, Lane Change Assist and Rear Cross-Traffic Alert are systems designed to assist the driver by monitoring the rear and side areas of the vehicle during a lane change or reversing and are not a substitute for safe and attentive driving. ¹⁰ The Reverse Automatic Braking (RAB) System is designed to assist the driver by detecting objects, to help avoid a possible collision, when the vehicle is moving in a low speed reverse direction. The system will provide automatic vehicle braking, if an obstacle is detected within its range. This system is not a substitute for safe and attentive driving. System effectiveness depends on many factors, such as vehicle maintenance, weather and road conditions. Always exercise caution and use vehicle mirrors and the Rear-Vision Camera when backing up. See Owner's Manual for complete details on system operation and limitations. ¹¹ Activation and required subscription sold separately. Includes 1-year trial subscription. See your retailer for details. ¹² The Supplemental Restraint System (SRS) (airbags) affords the driver and the front passenger additional protection in moderate to severe frontal and side-impact collisions and outboard 2nd-row passengers additional protection in moderate to severe side-impact collisions. This system provides supplemental protection only, and seatbelts must be worn in order to avoid injuries to out-of-position occupants upon airbag deployment and to provide the best combined protection in a serious accident. Children should always be properly restrained in one of the rear seats. See Owner's Manual for recommended seating position. ¹³ LED Steering Responsive Headlights (SRH) standard on 3.6R Limited. ¹⁴ Based on the average of vehicles in operation vs. new registrations for each model year using IHS Markit data for MY2007–2016 as of October 2016.

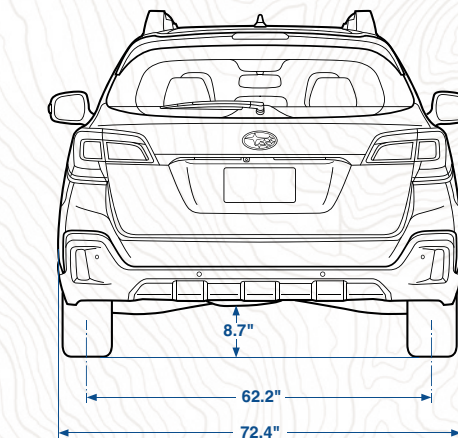
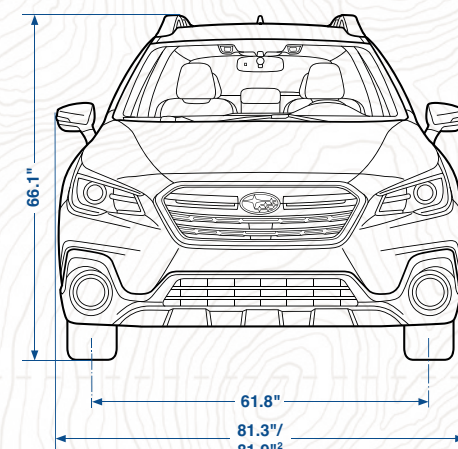
2018 Outback | Dimensions



Length	189.9 inches
Width	72.4 inches (81.3 inches/81.9 inches ² including mirrors)
Height	66.1 inches (Touring: 65.2 inches)
Wheelbase	108.1 inches
Track (front/rear)	61.8 inches/62.2 inches
Base curb weight	2.5i: 3,622 lbs 2.5i Premium: 3,642 lbs 2.5i Limited: 3,713 lbs 2.5i Touring: 3,726 lbs 3.6R Limited: 3,893 lbs 3.6R Touring: 3,902 lbs

Some images shown are for illustration purposes only. Specifications in this brochure are based on the latest product information available at the time of publication. For the most up-to-date and detailed product information, log on to www.subaru.com. Some equipment shown in photography in this brochure is optional at extra cost. Specific options may be available only in combination with other options. Specific combinations of equipment or features may vary from time to time and by geographic area. Certain accessories and equipment may not be available at the time of publication. Subaru of America, Inc., reserves the right to change or discontinue at any time, without notice, prices, colors, materials, equipment, accessories, specifications, models and packages without incurring any obligation to make the same or similar changes on vehicles previously sold. Colors shown may vary due to reproduction and printing processes.

This brochure was prepared by Subaru of America, Inc. A warranty from Subaru of America, Inc., is available only on cars sold to the first retail purchaser through an authorized Subaru retailer in the continental U.S. or Alaska. Every owner of the car during the warranty period shall be entitled to the benefit of these warranties. Subaru, SUBARU BOXER, Lineartronic, EyeSight and X-MODE are registered trademarks of SUBARU CORPORATION. Confidence in Motion and STARLINK are trademarks of SUBARU CORPORATION. Outback and Added Security are registered trademarks of Subaru of America, Inc. Harman Kardon® is a registered trademark of Harman International Industries, Inc. Aha™ is a trademark of Harman International Industries, Inc. Bluetooth® is a registered trademark of Bluetooth SIG, Inc. HD Radio® is a registered trademark of iBiquity Digital Corporation. HomeLink® and the HomeLink house icon are registered trademarks of Gentex Corporation. Apple®, App Store®, Siri®, iPod® and iTunes® are registered trademarks of Apple Inc. Apple CarPlay® is a trademark of Apple Inc. SiriusXM®, Traffic® and Travel Link® are registered trademarks of SiriusXM Radio, Inc. iHeartRadio® is a registered trademark of Clear Channel Communications, Inc. Pandora® is a registered trademark of Pandora Media, Inc. Stitcher™ is a trademark of Stitcher, Inc. Android™ Auto is a trademark of Google, Inc. Thule® is a registered trademark of the Thule Group. For more information, contact your Subaru retailer or log on to www.subaru.com.

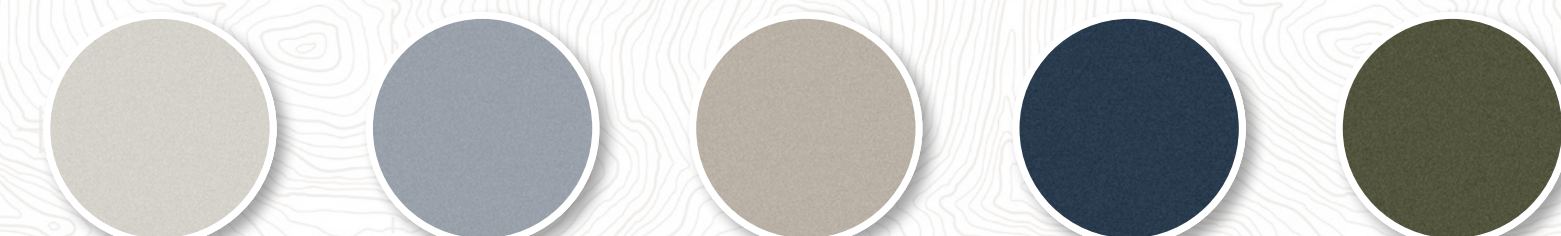


Ground clearance	8.7 inches (at base curb weight)
Headroom (front/rear)	40.8 inches/38.9 inches (with available moonroof: 38.3 inches/38.9 inches)
Legroom (front/rear)	42.9 inches/38.1 inches
Shoulder room (front/rear)	58.1 inches/57.3 inches
Hip room (front/rear)	55.5 inches/55.0 inches
Passenger volume	108.1 cubic feet (with available moonroof: 104.5 cubic feet)
Cargo volume	35.5 cubic feet
Maximum cargo volume	73.3 cubic feet with rear seatback folded

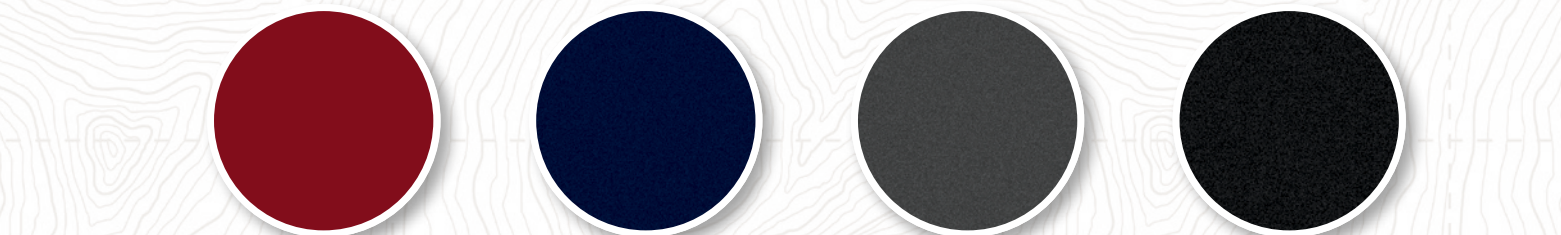
¹ With available moonroof. Moonroof availability varies by trim level. ² With integrated turn signals.

2018 Outback | Colors

Paint



Crystal White Pearl Ice Silver Metallic Tungsten Metallic Twilight Blue Metallic Wilderness Green Metallic

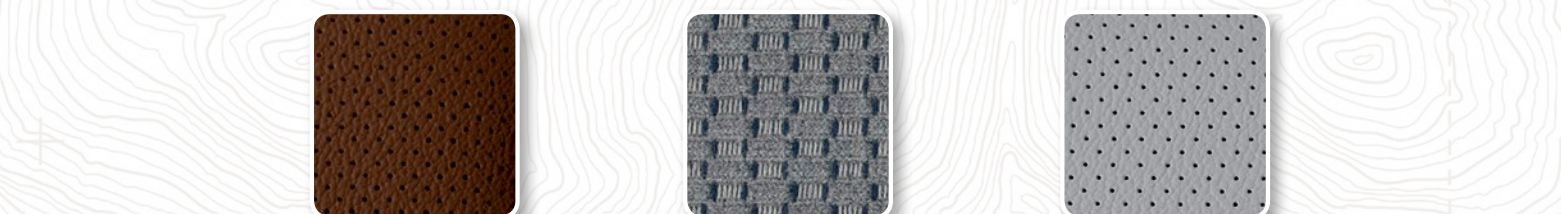


Crimson Red Pearl Dark Blue Pearl Magnetite Gray Metallic Crystal Black Silica

Upholstery



Slate Black Cloth (SBC) Slate Black Leather (SBL) Warm Ivory Cloth (WIC) Warm Ivory Leather (WIL)



Java Brown Leather (JBL) Titanium Gray Cloth (TGC) Titanium Gray Leather (TGL)

Color Combinations

	2.5i	2.5i Premium	2.5i Limited	2.5i Touring	3.6R Limited	3.6R Touring
Crystal White Pearl	SBC or WIC	SBC or WIC	SBL or WIL	JBL	SBL or WIL	JBL
Ice Silver Metallic	SBC	SBC	SBL	—	SBL	—
Tungsten Metallic	WIC	WIC	WIL	—	WIL	—
Twilight Blue Metallic	SBC or TGC	SBC or TGC	SBL or TGL	—	SBL or TGL	—
Wilderness Green Metallic	WIC	WIC	WIL	JBL	WIL	JBL
Crimson Red Pearl	SBC or WIC	SBC or WIC	SBL or WIL	—	SBL or WIL	—
Dark Blue Pearl	WIC	WIC	WIL	JBL	WIL	JBL
Magnetite Gray Metallic	SBC or TGC	SBC or TGC	SBL or TGL	—	SBL or TGL	—
Crystal Black Silica	SBC or WIC	SBC or WIC	SBL or WIL	JBL	SBL or WIL	JBL

— Not available

Take a Guided Tour

It's the ultimate way to get to know the Outback on your terms. Get up close and personal with color configurators, videos, 360-views, interactive content and so much more.



Online:
tour.subaru.com/Outback2018



These brochures were printed with vegetable-based inks and produced using a "Green Printing Process." The Forest Stewardship Council® (FSC®) is an international organization that brings people together to find solutions which promote responsible stewardship of the world's forests and environments.

By producing these brochures in a green way rather than by traditional methods, we saved 60 trees preserved for the future; 28,124 gallons of wastewater flow saved; 1,907 lbs solid waste not generated; 5,240 lbs net greenhouse gases prevented; 27,000,000 BTUs energy not consumed. Calculations provided by Environmental Paper Network. FSC® is not responsible for any calculations on saving resources by choosing this paper.

This brochure is printed in the U.S.A. on 10% recycled paper. ©2017 Subaru of America, Inc. 180BK.SRB.525 (S-20332, 125K, 7/17, CG)



Love. It's what makes a Subaru, a Subaru.

