



VISIT US ONLINE TO CREATE YOUR IDEAL INFINITI

www.infiniti.com

JOIN OUR COMMUNITY, AND GET THE LATEST INFO

 [Facebook.com/infiniti](https://www.facebook.com/infiniti)  [Twitter.com/infinitiusa](https://www.twitter.com/infinitiusa)



This brochure is intended for general descriptive and informational purposes only. It is subject to change and does not constitute an offer, representation or warranty (express or implied) by Nissan North America, Inc. Interested parties should confirm the accuracy of any information in this brochure as it relates to a vehicle directly with an INFINITI Retailer before relying on it to make a purchase decision. Nissan North America, Inc., reserves the right to make changes, at any time, without prior notice, in prices, colors, materials, equipment, specifications, and models and to discontinue models or equipment. Due to continuous product development and other pre- and post-production factors, actual vehicle, materials and specifications may vary from this brochure. Some vehicles shown with optional equipment. See the actual vehicle for complete accuracy. Availability and delivery times for particular models or equipment may vary. Specifications, options and accessories may differ in Hawaii, U.S. territories and other countries. For additional information on availability, options or accessories, see your INFINITI Retailer or visit INFINITI website.

Final production vehicle may vary. Always wear your seat belt, and please don't drink and drive. ©2017 INFINITI. IN-20617 Reorder #18508i (9/17, 45K, CG) ♻️ Reducing our environmental footprint is an important goal at INFINITI. That's why this brochure uses paper stock that is certified to contain a minimum of 10% post-consumer waste materials.

2018
QX60



INFINITI

EMPOWER THE DRIVE™

INFINITE POTENTIAL

We believe every driver is empowered with untold possibilities. To excel. To go as far as their drive will take them. See this take shape on the INFINITI QX60, where innovative versatility and intuitive technologies are rewriting the rules. Begin by crafting your QX60 for your individual journey. Every selection is designed to move, inspire and empower the drive.



CREATE A BOLD PRESENCE Refined to stand out, the QX60 makes a dramatic statement. Prominent front and rear fascias, LED taillights and signature design cues like the INFINITI crescent-cut D-pillar and double-arch grille push styling to new heights. Confidence is further elevated with available 20-inch alloy wheels that raise its athletic stance while improving handling.¹

UNITE POWER WITH CONTROL Experience performance that's in tune with the road. An impressive 3.5-liter V6 engine with 295 hp and direct injection technology help increase power and torque while retaining smoothness. When road conditions change, Intelligent All-Wheel Drive responds by sending up to 50% of power to the rear wheels to enhance available traction.



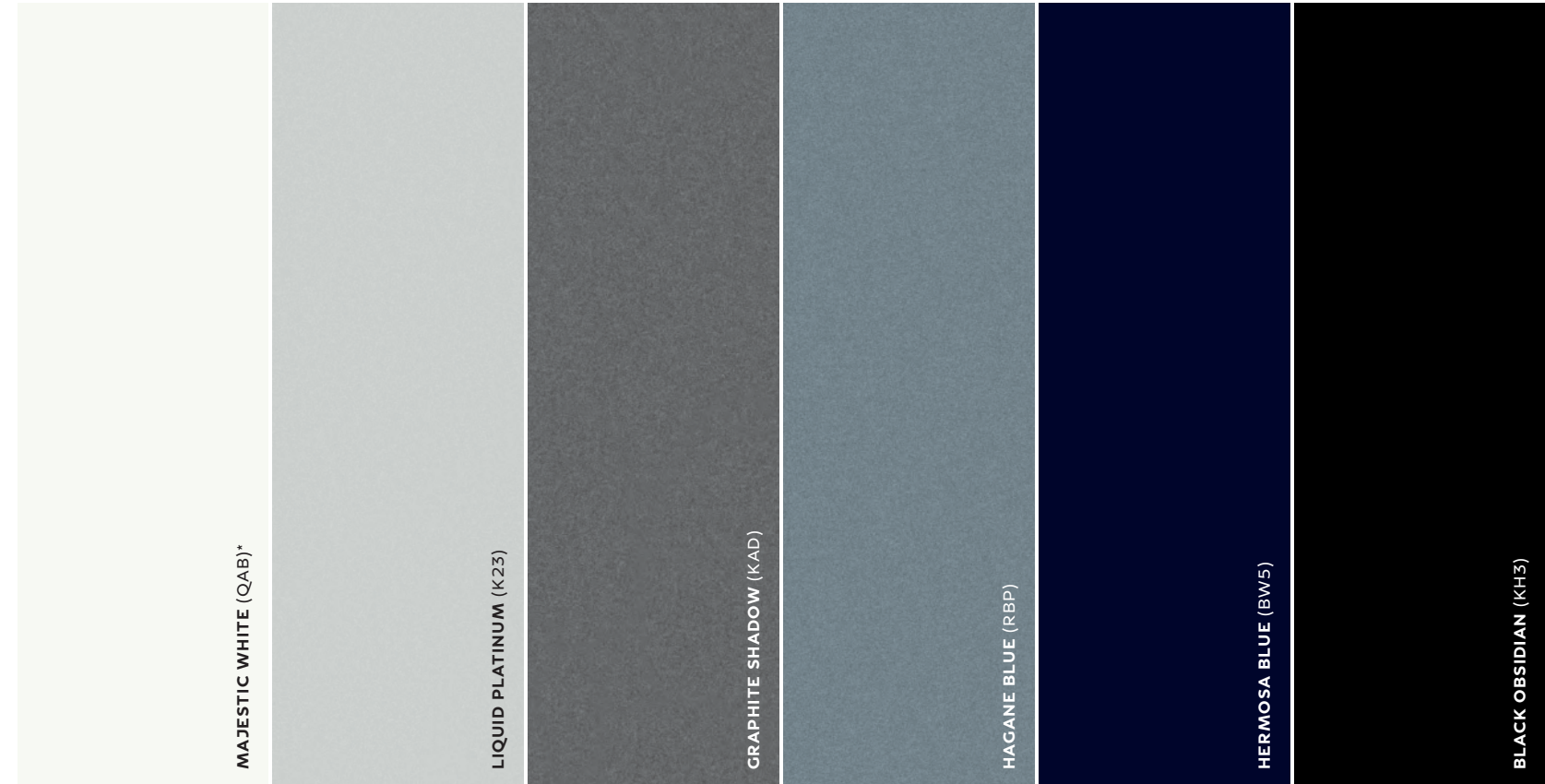
WHEEL CHOICES



18 X 7.5-INCH TRIPLE 5-SPOKE ALUMINUM-ALLOY WHEELS

20 X 7.5-INCH 15-SPOKE ALUMINUM-ALLOY WHEELS*

EXTERIOR COLORS



INFINITI has taken care to ensure that the color swatches presented here are the closest possible representations of actual vehicle colors. Swatches may vary slightly due to the printing process and whether viewed in daylight, fluorescent or incandescent light. Please see the actual colors at your local INFINITI Retailer. *Additional cost applies for this option.

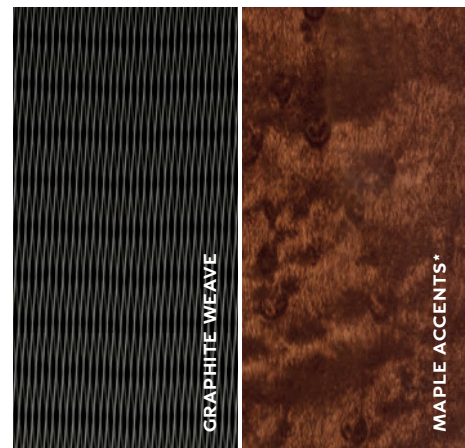
ADD DISTINCTION



INTERIOR COLORS



INTERIOR TRIM



INFINITI has taken care to ensure that the color swatches presented here are the closest possible representations of actual vehicle colors. Swatches may vary slightly due to the printing process and whether viewed in daylight, fluorescent or incandescent light. Please see the actual colors at your local INFINITI Retailer. *Additional cost applies for this option.

ENHANCE YOUR CAPABILITIES

How will your QX60 come to life? Crafted as a 7-passenger premium SUV, it elegantly accommodates all of today's possibilities. Personalize an interior as forward-thinking as you. Tailor a space that adapts to everyone and everything. Command a suite of technologies that amplifies your abilities as a driver, enabling you and your passengers to move forward with a new level of ease.

ENTERTAIN ON THE GO You can anticipate the wants of those inside with the Theater Package¹. Play everything from movies to games on dual 8-inch headrest monitors for your rear passengers, while you and your partner can enjoy the latest tunes. In the rear console, an HDMI port expands the fun even further.¹

RESHAPE VERSATILITY Three rows are impressive. But a second-row seat that lets you tilt and slide without removing a child's seat² is liberating – and exclusive to the QX60. If you're inclined towards more room, the second row can easily move 5.5 inches back to welcome taller passengers. Opt for the Deluxe Technology Package¹ and you're a step closer to ultimate freedom and convenience. A Motion Activated Liftgate automatically opens with a swing of your foot under the rear bumper for hands-free entry.¹

SEE EVERY SIDE Gain a new perspective on what's around you with the Premium Plus Package.¹ A world's first technology from INFINITI, the Around View[®] Monitor with Moving Object Detection^{1,3} and Front and Rear Sonar System^{1,4} helps you see and maneuver in even the tightest spaces. Four cameras and one virtual 360° view from above add ease while elevating your parking expertise.

BACKUP WITH CONFIDENCE Extend your awareness when you select the Driver Assistance Package.¹ Backup Collision Intervention^{1,5} another world's first technology, alerts you to crossing traffic and large stationary objects detected when backing up. The system can even brake before you do to help avoid a collision. On the road, you have the ability to sense beyond what you can see with our world's first Blind Spot Warning^{1,6} that uses radar sensors to help detect cars in your blind spot when changing lanes.



TRIM LEVELS & PACKAGES

QX60 3.5

- 3.5-liter V6 295-hp engine
- CVT transmission with manual shift mode
- Drive Mode Selector (Standard, Sport, Snow, Manual or Eco)
- RearView Monitor⁷
- INFINITI InTouch™ with 8-inch color display and INFINITI Voice Recognition⁸
- INFINITI Intelligent Key with Push Button Ignition
- INFINITI Controller
- Vehicle-speed-sensitive power steering
- 6-speaker audio system with AM/FM/CD and MP3 playback capability
- Bluetooth® Hands-free Phone System and audio streaming⁹
- SiriusXM® Satellite Radio with 3-month complimentary trial⁸
- SiriusXM® Travel Link with 4-year complimentary trial access to weather, fuel prices, stocks, sports and movie times⁸
- USB connection port for iPod® interface and other compatible devices, plus 2 additional USB ports for charging⁹
- Leather-appointed seating (first and second rows)
- Heated 8-way power driver's seat with manual lumbar support and 6-way power passenger's seat
- Multi-mode second-row seat for easy third-row entry/exit, including ability to access the third row even with child seat installed²
- 50/50-split folding third-row seat with recline
- Tri-Zone Automatic Temperature Control system with microfilter
- High Intensity Discharge (HID) automatic-on/off bi-functional xenon headlights
- Signature running lights
- LED taillights and center high-mounted stoplight (CHMSL)
- LED front fog lights with integrated turn signals
- Front door handle courtesy lights
- 18-inch Aluminum-alloy wheels
- 235/65R18 all-season tires
- Power folding, heated outside mirrors with integrated turn signals
- Power sliding/tinted glass moonroof and sliding sunshade
- Power rear liftgate
- Speed-sensitive flat-blade front windshield wipers
- Rear privacy glass
- Fine Vision electroluminescent gauges
- Auto-dimming inside mirror with HomeLink® Universal Transceiver
- Rear Door Alert
- Front-Wheel Drive or INFINITI Intelligent All-Wheel Drive

Optional Packages: 1 2 3 4 5 6



PACKAGES

1 Premium Package

- Bose® 13-speaker Premium Audio system, including AM/FM/CD/DVD with MP3 playback capability, Radio Data System (RDS) and speed-sensitive volume control
- Dual-occupant memory system for driver's seat, steering wheel and outside mirrors
- Driver's seat 2-way power lumbar support
- Entry/exit assist for driver's seat and steering wheel
- Enhanced Intelligent Key memory stores an occupant memory position, and last-used audio, climate control and navigation settings
- Outside mirrors with reverse tilt-down feature
- Heated steering wheel
- Remote Engine Start¹⁰
- Roof rails
- Rear bumper protector

2 Premium Plus Package

Requires Premium Package.

- INFINITI InTouch™ Navigation with Lane Guidance and 3D building graphics^{8,11}

- INFINITI InTouch™ Services with safety, security and convenience features with complimentary 4-year Select package trial; first 12 months include Premier package features⁸
- SiriusXM® Traffic⁸
- INFINITI Voice Recognition for navigation functions, including one-shot voice destination entry
- Around View® Monitor (AVM) with Moving Object Detection (MOD)³
- Front and Rear Sonar System⁴
- Rain-sensing front windshield wipers
- INFINITI Radiant Illuminated Kick Plates

3 20-inch Tire & Wheel Package

Requires Premium Plus Package.

- 20-inch Aluminum-alloy wheels with 235/55R20 H-rated all-season tires

4 Driver Assistance Package

Requires Premium Plus Package. Cannot be combined with Deluxe Technology Package.

- Intelligent Cruise Control (ICC) (Full-Speed Range)¹²

- Blind Spot Warning (BSW)⁶
- Backup Collision Intervention (BCI)⁵
- Distance Control Assist (DCA)¹³
- Active Trace Control¹⁴
- Eco Pedal
- Front and Rear Sonar Sensors (2 additional front and rear sensors)⁴
- Auto-dimming outside mirrors with reverse tilt-down feature

5 Theater Package

Requires Premium Plus Package.

- Single in-dash CD/DVD player
- Dual 8-inch color monitors for multimedia video playback
- Two wireless headphones
- Wireless remote control
- USB port for audio and video input function⁹
- 12V power point
- 120V power outlet
- Rear headphone jacks with volume control
- HDMI port

6 Deluxe Technology Package

Requires Premium Plus Package. Cannot be combined with Driver Assistance Package.

- 20-inch Aluminum-alloy wheels with 235/55R20 H-rated all-season tires
- Bose® Cabin Surround® 15-speaker sound system with digital 5.1-channel decoding
- Second- and third-row moonroof with power rear sunshade
- Advanced Climate Control System (ACCS) with auto-recirculation, Plasmacluster® air purifier and Grape Polyphenol Filter¹⁵
- Unique Hour Glass Seat Quilting (first and second rows)
- Climate-controlled front seats
- Heated second-row seats (outboard only)
- Motion Activated Liftgate
- Third-row seatback-power return
- Maple interior accents
- Front and Rear Sonar Sensors (2 additional front and rear sensors)⁴
- Lane Departure Warning (LDW) and Lane Departure Prevention (LDP)¹⁶

- Intelligent Cruise Control (ICC) (Full-Speed Range)¹²
- Blind Spot Warning (BSW) and Blind Spot Intervention® (BSI®)⁶
- Backup Collision Intervention (BCI)⁵
- Distance Control Assist (DCA)¹³
- Active Trace Control¹⁴
- Forward Emergency Braking with Pedestrian Detection (PFEB)¹⁷
- Predictive Forward Collision Warning (PFCW)¹⁸
- Front-seat Pre-Crash Seat Belts
- Roof rail crossbars
- Eco Pedal
- High Beam Assist
- Auto-dimming outside mirrors with reverse tilt-down feature

GENUINE INFINITI ACCESSORIES

Make a powerful impression. Enhance every connection and experience, inside and out. Personalize your QX60 with a wide array of innovative products designed for a custom-fit and finish.¹⁹ Every Genuine INFINITI Accessory is created to the same exacting standards applied to the creation of your INFINITI vehicle so you can confidently transform your QX60. For more information and to shop online for Genuine INFINITI Accessories, go to parts.infinitiusa.com.



REMOTE ENGINE START²⁰ Integrating with the existing keyless entry system, Remote Engine Start is technology that caters to you. From a range of up to 200 ft., the engine will start and the Advanced Climate Control System¹⁵ will begin to heat or cool.

ALL-SEASON FLOOR MATS Custom-made of durable and long-wearing material – they are designed to protect the interior footwells and capture dirt, sand and other debris while staying securely in place.

INFINITI 4G WI-FI⁸ Enables you to seamlessly and securely conduct internet activities in stationary or moving vehicle. Your vehicle becomes a roving Wi-Fi hotspot, connecting up to five devices to the internet in and around the car.

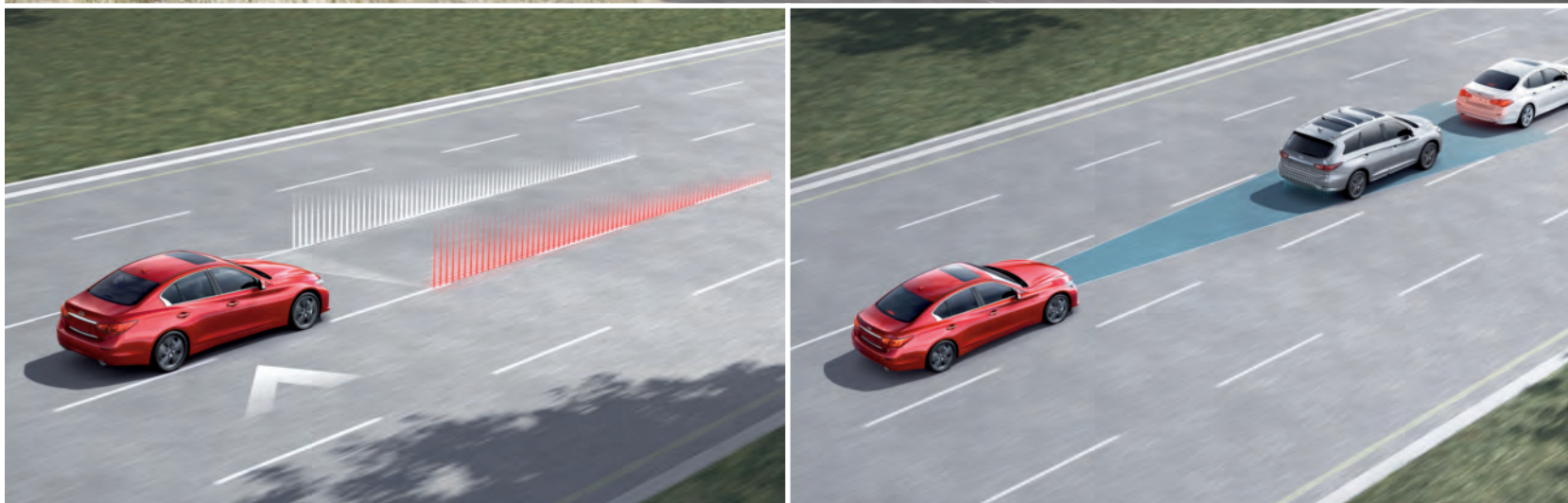
CARGO AREA PROTECTOR WITH CARGO NET²⁰ Constructed of a heavy and flexible material, the cargo area protector helps guard the cargo area from scratches and damage. In addition, the high-quality net keeps packages and items from moving around during driving (sold separately).

INFINITI RADIANT ILLUMINATED KICK PLATES The INFINITI logo glows softly along the bottom of the front door sills – a signature flourish you and your passenger will appreciate every time you get in.

WIRELESS SMARTPHONE CHARGER Perfect for busy families on the go, INFINITI introduces wireless phone charging. Simply place your compatible phone in the charging unit and let it charge. No power cables. No USB ports. No plugs. Just easy-to-use inductive charging.

RESPOND BY INSTINCT: THE DELUXE TECHNOLOGY PACKAGE

Through advanced safety innovations, INFINITI elevates your awareness to a new level. With technological enhancements, you are able to respond – to what you can't see and to what you can't know. On the road, Intelligent Cruise Control (Full-Speed Range)¹² helps manage your speed and distance, automatically slowing and accelerating your vehicle based on traffic. Predictive Forward Collision Warning¹⁸ a world's first technology, sees two cars ahead and can help alert you when the car in front of the car you're following suddenly decelerates. In crowded areas, Forward Emergency Braking with Pedestrian Detection¹⁷ helps watch for vehicles or pedestrians in your path, while Lane Departure Prevention¹⁶ helps assist you back into your lane when unintentional drifting occurs. Be ready. Prepare for the unexpected with the Deluxe Technology Package.¹



TECHNICAL SPECS

HANDLING DIMENSIONS

Turning diameter (feet) – QX60 FWD / QX60 AWD 38.7 / 38.7

INTERIOR DIMENSIONS

Cargo volume behind 3rd-row seats in upright position with moonroof / panoramic moonroof (cubic feet) 16.0 / 15.9

Headroom with moonroof (inches) – Front / 2nd row / 3rd row / with panoramic moonroof (inches) – Front / 2nd row / 3rd row 40.7 / 38.2 / 36.5 / 40.7 / 37.3 / 35.0

Legroom (inches) – Front / 2nd row / 3rd row 42.2 / 41.7 / 30.8

Overall Passenger volume with moonroof / with panoramic moonroof (cubic feet) 149.0 / 146.3

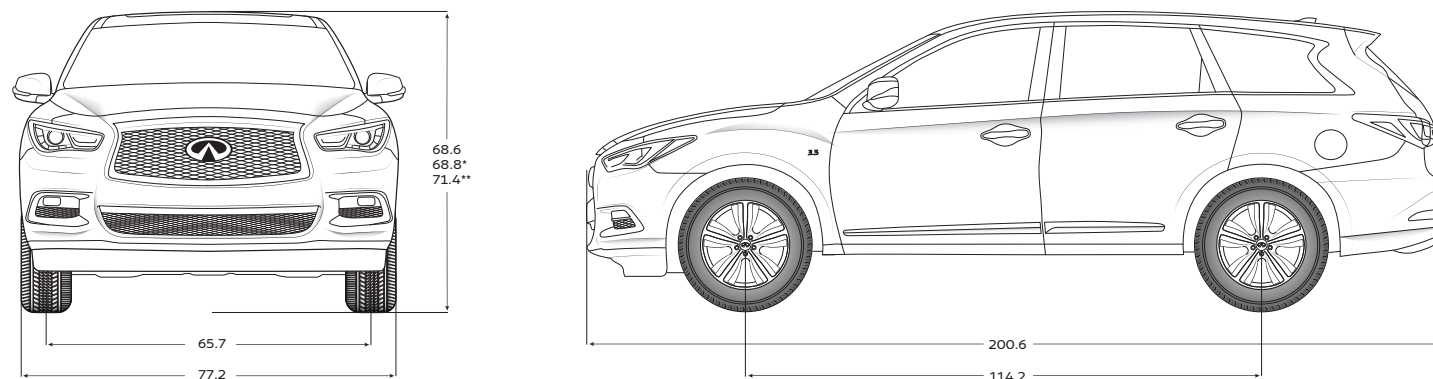
WEIGHT AND CAPACITY

Curb weight (lbs) – QX60 3.5 / QX60 3.5 AWD 4,390 / 4,526

Fuel capacity (gallons) – QX60 3.5, QX60 3.5 AWD 19.5

See infinitiusa.com for complete list of specifications.

*QX60 3.5, QX60 3.5 AWD with roof rails. **QX60 3.5, QX60 3.5 AWD with roof rails and crossbars.



All dimensions are measured in inches.

¹ Available on select models. ² Slide-forward function should not be performed with the CRS occupied. ³ AVM with MOD cannot completely eliminate blind spots and may not detect every object. MOD operates at vehicle speeds below 5 mph. Always check surroundings and turn to look behind you before moving vehicle. ⁴ The Sonar System is a convenience, but not a substitute for proper parking procedures and/or backing procedures. Always check that it is safe to do so before moving vehicle. May not detect every object. ⁵ BCI will not detect every object, and speed limitations apply. Always check surroundings and turn to look behind you before moving vehicle. See Owner's Manual for details. ⁶ Blind Spot Warning/Blind Spot Intervention Systems are not substitutes for proper lane change procedures. The systems will not prevent contact with other vehicles or accidents. They may not detect every vehicle or object around you. ⁷ Parking aid/convenience feature. Cannot completely eliminate blind spots. May not detect every object and does not warn of moving objects. Always check surroundings and turn to look behind you before moving vehicle. ⁸ Feature availability is dependent on vehicle model, trim level, packaging and options. Compatible connected device may be required and feature availability may be dependent on device's capability. Refer to connected device's owner's manual for details. Late availability for some features. Driving is serious business and requires your full attention. Only use features and connected devices when safe and legal to do so. Some features, including automatic crash notification and SOS, are dependent upon the telematics device being in operative condition, its ability to connect to a wireless network, compatible wireless network availability, navigation map data and GPS satellite signal receptions, the absence of which can limit or prevent the ability to reach Customer Care or receive support. GPS mapping may not be detailed in all areas or reflect current road status. Never program GPS while driving. Only use Remote Engine Start and Remote Horn features in accordance with any laws, rules or ordinances in effect in your vehicle's location. Some services and features are provided by independent companies not within INFINITI's control. **Should service provider terminate or restrict service or features, service or features may be suspended or terminated without notice or with no liability to INFINITI or its partners or agents.** Services and features may require compatible cellular network provided by independent companies not within INFINITI or its partners' or agents' control. Cellular network signal strength may vary and may not be available in all areas or at all times. Services and features may not function if cellular network is unavailable, restricted, or terminated. INFINITI and its partners or agents are not responsible for associated costs or other third party charges that may be required for continued operation due to cellular network unavailability, restriction, or termination (including equipment replacements/upgrades, if available, or roaming charges on alternative networks). Technology is evolving, and changes by independent companies are not within INFINITI's or its partners' or agents' control. Enrollment, owner consent, personal identification number (PIN), and subscription agreement may be required to receive full suite of features and services. Trial periods (if applicable) begin on the date of vehicle purchase or lease of a new INFINITI. Trial periods may be subject to change at any time and may be subject to early termination without notice. Required subscriptions may be sold separately for each available feature or service after trial period ends, and may continue until you call service provider to cancel. Installation costs, one-time activation fee, other fees and taxes may apply. Fees and programming subject to change. Feature may be subject to age restrictions in some areas. Subscriptions governed by service provider's subscription agreement, terms and conditions and privacy statements available at service provider's website. Text rates or data usage may apply. The INFINITI names, logos and slogans are trademarks owned by or licensed to Nissan North America, Inc. or its North American subsidiaries. Other trademarks and trade names are those of their respective owners. For important safety information, system limitations, and additional operating and feature information, see retailer, owner's manual, or www.infinitiUSA.com/intouch/important-information. ⁹ Driving is serious business and requires your full attention. If you have to use the connected device while driving, exercise extreme caution at all times so full attention may be given to vehicle operation. ¹⁰ State laws may apply; review local laws before using. ¹¹ Never program while driving. GPS mapping may not be detailed in all areas or reflect current road status. ¹² Intelligent Cruise Control is not a collision avoidance system or warning device. Designed to use limited braking. Failure to apply the brakes could result in an accident. ¹³ Distance Control Assist helps maintain a distance to the vehicle in front under certain conditions. Not a collision avoidance system. Failure to apply the brakes could result in an accident. ¹⁴ Active Trace Control cannot prevent accidents or loss of control. It is the driver's responsibility to be in control of the vehicle at all times. ¹⁵ The Advanced Climate Control System with Plasmacluster air purifier helps scrub the air in the vehicle's interior. The system senses exterior odors, suppresses unpleasant interior odors, stops the inflow of external odors and helps keep the cabin smelling fresh, but does not always eliminate odors. ¹⁶ Lane Departure Warning/Lane Departure Prevention Systems operate only when the lane markings are clearly visible. Speed limitations apply. See Owner's Manual for details. ¹⁷ FCB with Pedestrian Detection is not a replacement for responsible driving. May not provide braking or pedestrian detection in certain conditions. Limitations apply. See Owner's Manual for details. ¹⁸ PFCW is intended to warn you before a collision occurs; it cannot prevent a collision. Speed and other limitations apply. See Owner's Manual for details. ¹⁹ Covered by INFINITI's Limited Warranty on Genuine INFINITI Accessories for the longer of 12 months/12,000 miles (whichever is earlier) or the remaining period under the 4-year/60,000-mile INFINITI New Vehicle Limited Warranty. Terms and conditions apply. See Warranty Information Booklet for details. ²⁰ Cargo and load capacity limited by weight and distribution. Always secure all cargo. Heavy loading of the vehicle with cargo, especially on the roof, will affect handling and stability of the vehicle.

Bose is a registered trademark of Bose Corporation. Final production vehicle may vary.