

VISIT US ONLINE TO CREATE YOUR IDEAL INFINITI

[www.infiniti.com](http://www.infiniti.com)

JOIN OUR COMMUNITY, AND GET THE LATEST INFO

 [Facebook.com/infiniti](https://www.facebook.com/infiniti)  [Twitter.com/infinitiusa](https://www.twitter.com/infinitiusa)



This brochure is intended for general descriptive and informational purposes only. It is subject to change and does not constitute an offer, representation or warranty (express or implied) by Nissan North America, Inc. Interested parties should confirm the accuracy of any information in this brochure as it relates to a vehicle directly with an INFINITI Retailer before relying on it to make a purchase decision. Nissan North America, Inc., reserves the right to make changes, at any time, without prior notice, in prices, colors, materials, equipment, specifications, and models and to discontinue models or equipment. Due to continuous product development and other pre- and post-production factors, actual vehicle, materials and specifications may vary from this brochure. Some vehicles shown with optional equipment. See the actual vehicle for complete accuracy. Availability and delivery times for particular models or equipment may vary. Specifications, options and accessories may differ in Hawaii, U.S. territories and other countries. For additional information on availability, options or accessories, see your INFINITI Retailer or visit INFINITI website.

Final production vehicle may vary. Always wear your seat belt, and please don't drink and drive. ©2018 INFINITI. IN-21570 Reorder #19502i (3/18, 50K, CG) ♻️ Reducing our environmental footprint is an important goal at INFINITI. That's why this brochure uses paper stock that is certified to contain a minimum of 10% post-consumer waste materials.

2019  
**QX50**



**INFINITI**

EMPOWER THE DRIVE™

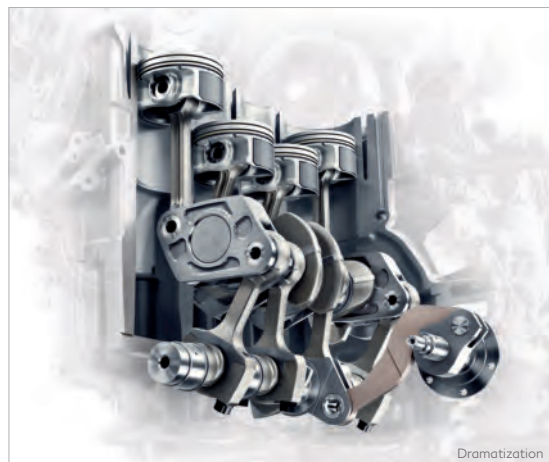
# EMPOWER THE DRIVE

For those who dare to define themselves beyond the usual measures, there's INFINITI – an experience that challenges the limits of what's possible. See this take shape on the all-new INFINITI QX50, where design is elevated to an aspirational aesthetic and innovative technology empowers you to do more than you thought possible. Begin by crafting your QX50 for your personal journey. Every selection is designed to move, inspire and empower the drive.



**START WITH A BLANK CANVAS** It's the only way to create something that the world has never seen – a premium crossover that embodies the perfect balance of dynamism and purpose. A new clamshell hood design wraps over the fenders. The large wheel-to-body ratio translates into daring proportions, while eye-inspired I-LED headlights in the Sensory Package<sup>1</sup> speak to the future through angled geometric shapes.

**REFUSE TO COMPROMISE** The biggest revolution in the internal combustion engine since its inception, the INFINITI VC-Turbo™ is the world's first production-ready engine that continuously transforms to optimize both power and efficiency. The multi-link system flexes to lower the compression ratio when more power is needed and relaxes to raise the compression ratio when greater fuel efficiency<sup>2</sup> is desired.



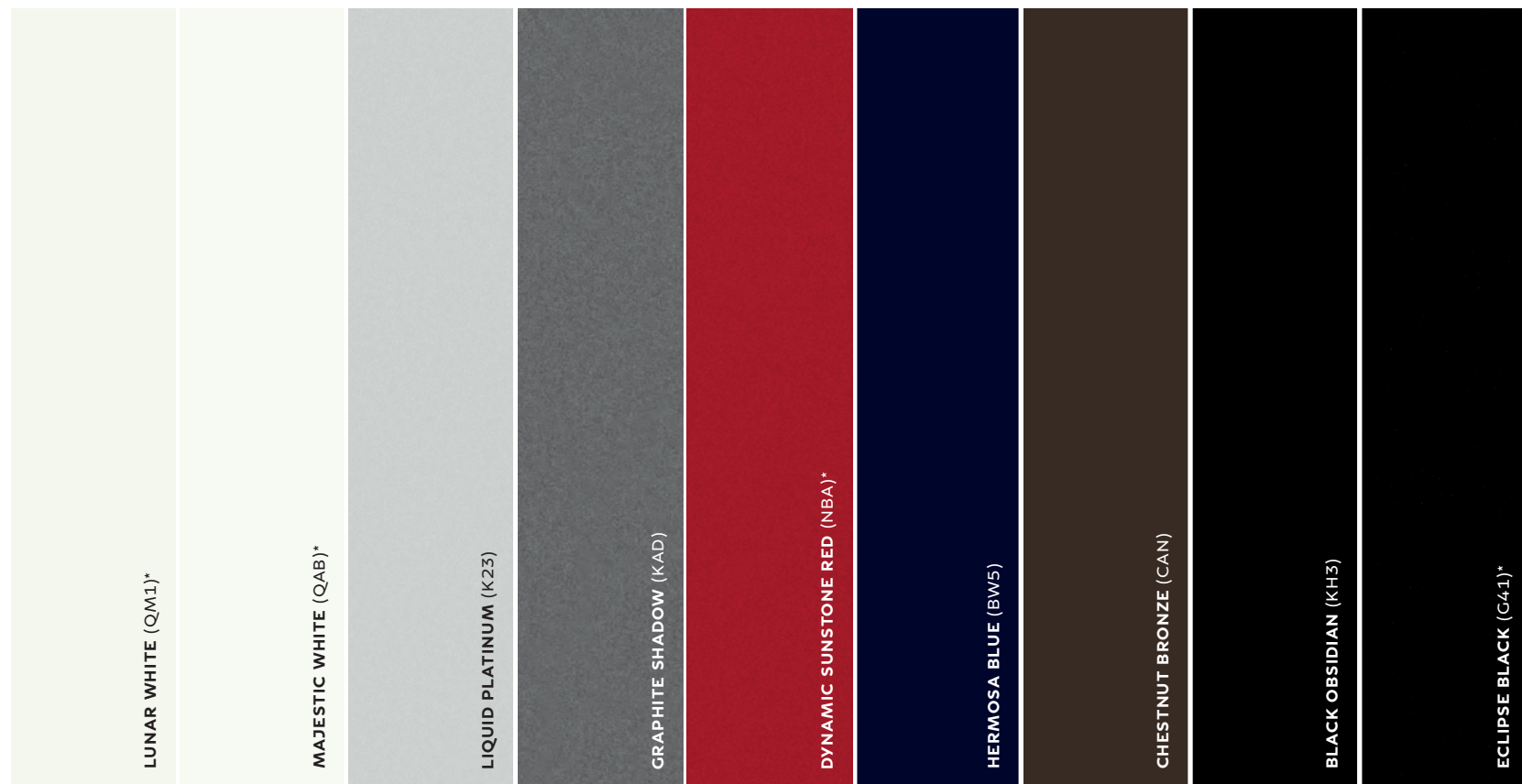
## WHEEL CHOICES



19 X 7.5-INCH SILVER-PAINTED ALUMINUM-ALLOY WHEELS

20 X 8.5-INCH DARK-PAINTED ALUMINUM-ALLOY WHEELS\*

## EXTERIOR COLORS

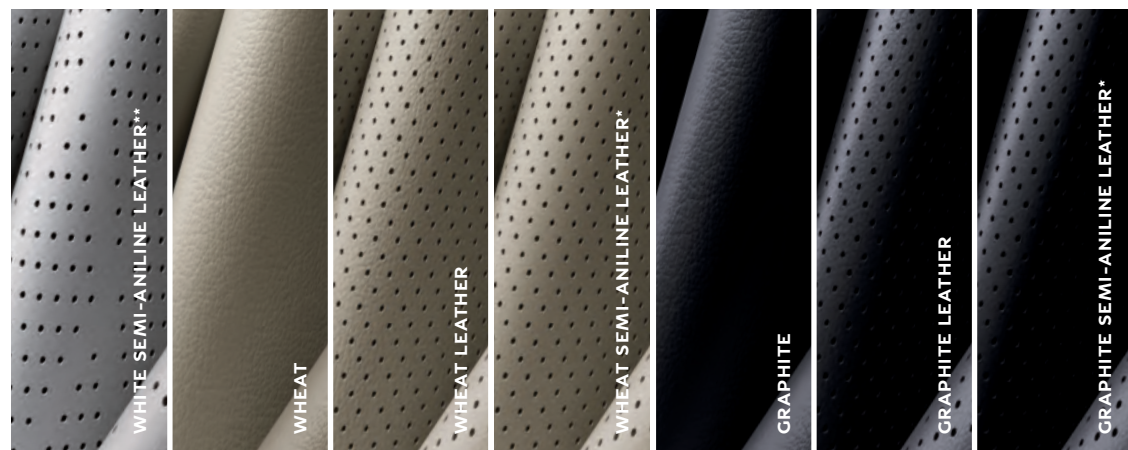


INFINITI has taken care to ensure that the color swatches presented here are the closest possible representations of actual vehicle colors. Swatches may vary slightly due to the printing process and whether viewed in daylight, fluorescent or incandescent light. Please see the actual colors at your local INFINITI Retailer. \*Additional cost applies for this option.

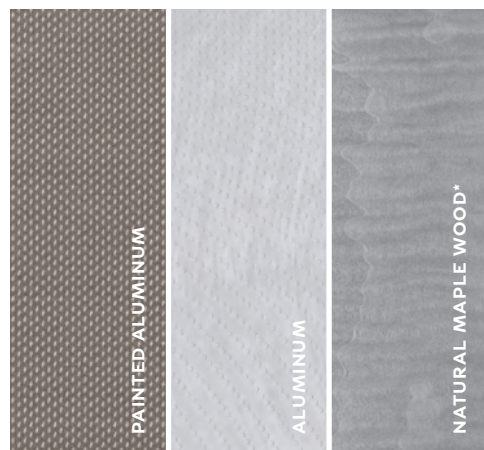
## ADD DISTINCTION



### INTERIOR COLORS



### INTERIOR TRIM



INFINITI has taken care to ensure that the color swatches presented here are the closest possible representations of actual vehicle colors. Swatches may vary slightly due to the printing process and whether viewed in daylight, fluorescent or incandescent light. Please see the actual colors at your local INFINITI Retailer. \*Sensory Package only. Additional cost applies for this option. \*\*Autograph Package only. Additional cost applies for this option.

## ENHANCE YOUR CAPABILITIES

How will your QX50 come to life? Start with a modern interior that offers semi-aniline leather-appointed seats,<sup>1</sup> striking Ultrasuede<sup>®1</sup> accents and open pore Natural Maple Wood trim.<sup>1</sup> Press a button and command the road with a newfound ease. Select advanced technologies that help empower you to do more, mile after mile.

**ADAPT TO ANYTHING** Whatever comes your way, know that you are ready. Sliding and reclining<sup>3</sup> second-row seats move forward and back almost 6 inches to enhance leg room or cargo capacity. A standard power liftgate effortlessly opens, allowing you to store most child strollers lengthwise with the seats upright. Opt for the Sensory Package<sup>1</sup> and step up to greater ease and convenience. A Motion Activated Liftgate<sup>1</sup> automatically opens with a swing of your foot under the rear bumper for hands-free access.

**PUSH FOR LESS STRESS** When technology advances to enhance the driver, you can help reduce the stress of highway traffic. Introducing INFINITI ProPILOT Assist<sup>1,4</sup> in the ProACTIVE Package,<sup>1</sup> a suite of drive assist technologies that can empower the driving experience. Push a button and technology is at your command. Maintain a set speed and distance, and flow with traffic. ProPILOT Assist can also slow down your vehicle to a complete stop when necessary and then automatically accelerate when traffic clears. To further support the driver, a Head-Up Display<sup>2</sup> ensures information is in your line of sight.

**STEER WITH EASE** As a single-lane drive assist technology, INFINITI ProPILOT Assist works with world's first Direct Adaptive Steering<sup>®1</sup> to help keep your vehicle centered within a lane, even around gentle curves. Choose the ProACTIVE Package<sup>1</sup> and the digital steering system can enhance steering when traveling along highways. The technology also offers effortless steering at low speeds for easier parking.

**EXTEND YOUR AWARENESS** Heighten your abilities with leading safety technologies. For example, Predictive Forward Collision Warning<sup>5</sup> an INFINITI world's first technology, monitors not only the vehicle directly in front of you but also the vehicle in front of that one, to help warn you of sudden deceleration.



# TRIM LEVELS & PACKAGES

## QX50 PURE

- 2.0L VC-Turbo™ 4-cylinder engine (268-hp @ 5,600 rpm, 280 lb-ft @ 1,600-4,800 rpm)
- 24/31/27 EPA Estimated Fuel Economy FWD (city/highway/combined)<sup>2</sup>
- 24/30/26 EPA Estimated Fuel Economy AWD (city/highway/combined)<sup>6</sup>
- Front-Wheel Drive or INFINITI Intelligent All-Wheel Drive
- Continuously Variable Transmission (CVT) with manual shift mode
- 19" silver-painted aluminum-alloy wheels with 235/55R19 run-flat all-season tires
- Forward Emergency Braking with Pedestrian Detection<sup>7</sup>
- Predictive Forward Collision Warning (PFCW)<sup>5</sup>
- Power rear liftgate
- INFINITI Intelligent Key with Push Button Ignition
- RearView Monitor<sup>8</sup>
- LED automatic-on/off headlights
- LED signature daytime running lights
- INFINITI InTouch™ dual display system, with upper 8-inch and lower 7-inch VGA LCD touch-screen displays<sup>9</sup>
- INFINITI Drive Mode Selector
- Audio system with AM/FM radio and CD player
- Bluetooth® Hands-free Phone System with audio streaming<sup>9</sup>

- SiriusXM® Satellite Radio with 90-day complimentary trial access<sup>9</sup>
- SiriusXM® Travel Link with 4-year complimentary trial access to weather, fuel prices, stocks, sports and movie times<sup>9</sup>
- USB connection port for iPod® interface and other compatible devices, plus 3 additional USB ports for charging<sup>10</sup>
- Leatherette-appointed seats
- 8-way power driver's and front-passenger's seats and 2-way driver's power lumbar support
- 60/40-split fold-down rear seatbacks with slide and recline
- Leather-wrapped steering wheel with paddle shifters and leather-accented shifter
- Dual Zone Automatic Temperature Control System with rear seat vents
- Body-color, manual folding and power adjustable outside mirrors
- Body-color door handles with chrome accent and LED welcome lighting (front handles)
- Rear privacy glass
- Dual exhaust finishers
- Speed-sensitive flat blade front windshield wipers
- Electronic parking brake

## QX50 LUXE

- Includes all QX50 PURE features, plus:**
- Power sliding/tilting panoramic moonroof and power sliding sunshade
  - Blind Spot Warning (BSW)<sup>11</sup>
  - Auto-dimming rearview mirror with HomeLink® Universal Transceiver
  - Roof rails
  - LED front fog lights
  - Aluminum interior trim accents

**Optional Package: 4**

## QX50 ESSENTIAL

- Includes all QX50 LUXE features, plus:**
- Leather-appointed seating
  - INFINITI InTouch™ Navigation with upper 8-inch and lower 7-inch VGA LCD touch-screens<sup>9</sup>
  - INFINITI Voice Recognition for navigation<sup>9</sup>
  - SiriusXM® Traffic with 4-year complimentary trial access to real-time traffic information<sup>9</sup>
  - INFINITI InTouch™ Services Select with 4-year complimentary trial access to convenience services<sup>9</sup>
  - INFINITI InTouch™ Services Premier with 12 months of safety, security and convenience services<sup>9</sup>
  - Around View® Monitor (AVM) with Moving Object Detection (MOD)<sup>12</sup>
  - Front and Rear Parking Sensors<sup>13</sup>
  - Remote Engine Start/Stop<sup>14</sup>
  - Heated outside mirrors
  - Rain-sensing wipers
  - Tri-Zone Automatic Temperature Control System

**Optional Packages: 1 2 3 5 6 7 8**

## PACKAGES

### 1 Premium Audio

- Bose® Performance Series 16-speaker Premium Audio System, including subwoofer
- Bose® Performance Series metallic speaker grilles on tweeters

### 2 ProASSIST Package

- Backup Collision Intervention (BCI)<sup>15</sup>
- Distance Control Assist (DCA)<sup>16</sup>
- Intelligent Cruise Control (ICC)<sup>17</sup>
- Rear Cross Traffic Alert (RCTA)<sup>18</sup>

### 3 ProACTIVE Package

- Requires ProASSIST Package.**
- ProPILOT Assist with Steering Assist and Intelligent Cruise Control (Full-Speed Range and Hold)<sup>4,17</sup>
  - Head-Up Display (HUD)
  - Direct Adaptive Steering® (DAS)
  - Blind Spot Intervention® (BSI®)<sup>11</sup>
  - Lane Departure Warning (LDW) and Lane Departure Prevention (LDP)<sup>19</sup>
  - High Beam Assist (HBA) headlights

### 4 Heated Seats

- Heated front seats

### 5 Premium Heat Package

- Requires ProASSIST Package.**
- Heated front seats and steering wheel
  - Dual-occupant memory system for driver's seat, steering wheel and outside mirrors
  - Outside mirrors with reverse tilt-down feature
  - Power tilting and telescopic steering column

### 6 Tow Package

- AWD models only. Requires Sensory Package.**
- 3,000 lb. maximum towing capacity<sup>20</sup>
  - Tow hitch, receiver and wiring harness

### 7 Autograph Package

- Requires Sensory Package.**
- White semi-aniline leather-appointed seating with quilting
  - Blue Ultrasuede® interior accents

### 8 Sensory Package

- Requires ProASSIST Package. Includes Premium Audio and Premium Heat Packages.**
- 20-inch dark-painted aluminum-alloy wheels with 255/45R20 run-flat all-season tires
  - Semi-aniline leather-appointed seating
  - Climate-controlled front seats
  - 2-way passenger's power lumbar support
  - Unique cube design I-LED headlights (LED high/low beam)
  - Adaptive Front lighting System (AFS)
  - Motion Activated Liftgate
  - Ultrasuede® headliner, A-pillars and B-pillars
  - Enhanced LED interior ambient lighting
  - Natural Maple Wood interior trim accents
  - Rear side window sunshades
  - Advanced Climate Control System (ACCS) with auto-recirculation, Plasmacluster® air purifier and Grape Polyphenol Filter<sup>21</sup>



## GENUINE INFINITI ACCESSORIES

The same exacting standards applied to the creation of an INFINITI vehicle go into designing and manufacturing Genuine INFINITI Accessories. With a wide array of quality products designed to integrate seamlessly, you can be assured of a custom fit and finish.<sup>22</sup> For more information and to shop online for Genuine INFINITI Accessories, go to [parts.infiniti.com](http://parts.infiniti.com).



ACCESSORIES SHOWN Chrome Body Side Moldings, Roof Rail Crossbars, Silver Grille, Welcome Lighting, 20" Wheels and Splash Guards



### CARGO BLOCK STABILIZERS AND CARGO MAT

Two L-shaped cargo stabilizer blocks keep tools, supplies, groceries and sports gear from tipping over and sliding around. Versatile blocks fasten to the carpeted cargo mat with Velcro® for a secure hold. High-density, cut-pile carpet mat helps guard your cargo area from spills and damage.<sup>23</sup>

### ALL-SEASON FLOOR MATS

Custom-made of durable and long-wearing material – they are designed to protect the interior footwells and capture dirt, sand and other debris while staying securely in place.

**LIFESTYLE RECEIVER MOUNT** Secure every adventure with confidence. From bikes to skis to cargo, this custom frame-mounted design supports modern busy lifestyles.

### STAINLESS STEEL REAR BUMPER PROTECTOR

While you load, unload and handle all your cargo, scuffs and scrapes can happen. This protector not only adds a sophisticated look, it's durable enough to resist the wear and tear of everyday life.

**INFINITI WI-FI** Seamlessly and securely conduct internet activities in stationary or moving vehicle. Turn your QX50 into a roving Wi-Fi hotspot, connecting up to five Wi-Fi-enabled compatible devices to the internet in and around the car.<sup>9</sup>

### INFINITI RADIANT ILLUMINATED KICK PLATES

The INFINITI logo glows softly along the bottom of the front and rear door sills – a signature flourish you and your passengers will appreciate every time you get in.

# SHOW YOUR SIGNATURE: THE AUTOGRAPH PACKAGE

Express your unique outlook with an interior as modern as you are. Choose the exclusive look of white quilted semi-aniline leather-appointed seats, a brown Ultrasuede® headliner, with blue Ultrasuede® and Natural Maple Wood interior trim accents in the Autograph Package.<sup>1</sup> By bringing together premium materials and tailoring the combination to bring out their best characteristics, you experience a quality, hand-crafted feel that articulates the essence of human artistry. This approach to luxury creates an upscale appearance and ambience, reflecting who you are – and who you can be.



# TECHNICAL SPECS

## ENGINEERING/PERFORMANCE

Ground clearance (inches)	8.6
Coefficient of drag	0.32
Turning diameter, curb-to-curb (feet)	36.4

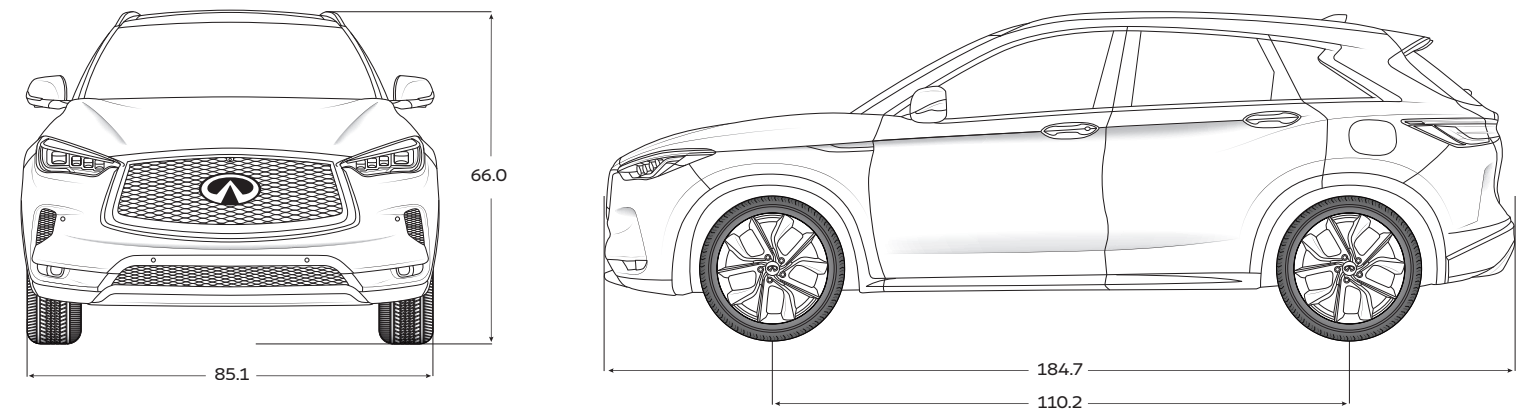
## INTERIOR DIMENSIONS

Cargo volume – Second-row seats in upright position – without / with panoramic moonroof (cubic feet)	31.4 / 31.1
Cargo volume – Second-row seats in folded position – without / with panoramic moonroof (cubic feet)	65.1 / 64.4
Head room – without panoramic moonroof Front / Second-row, with panoramic moonroof Front / Second-row (inches)	41.0 / 39.1, 40.0 / 38.4
Leg room – Front / Second-row (inches)	39.6 / 38.7
Total interior volume – without / with panoramic moonroof (cubic feet)	135.8 / 133.3

## WEIGHT AND CAPACITY

Curb weight, FWD – PURE / LUXE / ESSENTIAL trim levels (lbs)	3,810 / 3,821 / 3,827
Curb weight, AWD – PURE / LUXE / ESSENTIAL trim levels (lbs)	3,940 / 3,951 / 3,957
Fuel capacity (gallons)	16

See infinitiusa.com for complete list of specifications.



All dimensions are measured in inches.

<sup>1</sup> Available on select models. <sup>2</sup> 2019 QX50 FWD EPA Fuel Economy Estimates 24 City, 31 Highway, 27 Combined. Actual mileage may vary with driving conditions – use for comparison only. <sup>3</sup> Do not ride in a moving vehicle when the seatback is reclined. For the most effective protection, the seat should be upright. See Owner's Manual for safety information. <sup>4</sup> ProPILOT Assist cannot prevent collisions. Always monitor traffic conditions and keep both hands on the steering wheel. See Owner's Manual for safety information. <sup>5</sup> Predictive Forward Collision Warning cannot prevent collisions. See Owner's Manual for safety information. <sup>6</sup> 2019 QX50 AWD EPA Fuel Economy Estimates 24 City, 30 Highway, 26 Combined. Actual mileage may vary with driving conditions – use for comparison only. <sup>7</sup> Forward Emergency Braking with Pedestrian Detection cannot prevent all collisions and may not provide warning or braking in all conditions. Driver should monitor traffic conditions and brake as needed to prevent collisions. See Owner's Manual for safety information. <sup>8</sup> RearView Monitor may not detect every object and does not eliminate blind spots or warn of moving objects. See Owner's Manual for safety information. <sup>9</sup> Available services/features may be shown. Compatible connected device may be required. Only use services/features or device when safe and legal to do so. Subject to GPS and wireless network availability and connection, and system/technology limitations. Text rates/data usage/subscription may apply. Some services/features provided by companies not within INFINITI or its partners' or agents' control and may be discontinued at any time. For more information, see retailer, Owner's Manual, or [www.infinitiUSA.com/intouch/important-information](http://www.infinitiUSA.com/intouch/important-information). <sup>10</sup> Driving is serious business and requires your full attention. If you have to use the connected device while driving, exercise extreme caution at all times so full attention may be given to vehicle operation. External device not included. <sup>11</sup> Blind Spot Warning/Blind Spot Intervention Systems cannot prevent collisions and may not detect every object or warn in all situations. Driver should always turn and look before changing lanes. See Owner's Manual for safety information. <sup>12</sup> Around View Monitor with Moving Object Detection cannot eliminate blind spots, may not detect every object, and does not warn of moving objects. Driver should always turn and check surroundings before driving. See Owner's Manual for safety information. <sup>13</sup> Sonar System may not detect every object. Driver should always check surroundings before driving. See Owner's Manual for safety information. <sup>14</sup> State laws may apply. Review before using. <sup>15</sup> Backup Collision Intervention may not detect every object. Driver should always turn and check surroundings before driving. See Owner's Manual for safety information. <sup>16</sup> Distance Control Assist uses limited braking and is not a collision avoidance or warning system. Driver should monitor traffic conditions and brake as needed to prevent collisions. See Owner's Manual for safety information. <sup>17</sup> Intelligent Cruise Control uses limited braking and is not a collision avoidance or warning system. Driver should monitor traffic conditions and brake as needed to prevent collisions. See Owner's Manual for safety information. <sup>18</sup> Rear Cross Traffic Alert may not detect all vehicles. See Owner's Manual for safety information. <sup>19</sup> Lane Departure Warning/Lane Departure Prevention Systems only operate when lane markings are able to be detected. See Owner's Manual for safety information. <sup>20</sup> Up to 3,000 lbs maximum towing capacity for 2019 QX50 AWD when properly equipped. Towing capacity varies by configuration. See INFINITI Towing Guide and Owner's Manual for additional information. <sup>21</sup> The Advanced Climate Control System with Plasmacluster air purifier helps scrub the air in the vehicle's interior. The system senses exterior odors, suppresses unpleasant interior odors, stops the inflow of external odors and helps keep the cabin smelling fresh, but does not always eliminate odors. <sup>22</sup> Covered by INFINITI's Limited Warranty on Genuine INFINITI Accessories for the longer of 12 months/12,000 miles (whichever is earlier) or the remaining period under the 4-year/60,000-mile INFINITI New Vehicle Limited Warranty. For complete information concerning coverage, conditions and exclusions, see your INFINITI retailer and read the actual New Vehicle Limited Warranty booklet. <sup>23</sup> Cargo and load capacity limited by weight and distribution. Always secure cargo. Heavy loading of the vehicle with cargo, especially on the roof, will affect the handling and stability of the vehicle. Pre-production model shown; see actual production vehicle when available for final details on features. Bose is a registered trademark of Bose Corporation. HomeLink is a registered trademark of Centex Corporation. Ultrasuede is a registered trademark of Toray Industries, Inc. Bluetooth word mark and logos are owned by Bluetooth SIG, Inc., and any use of such marks by INFINITI is under license. iPod is a registered trademark of Apple Inc. All rights reserved. iPod® not included. The Sirius, XM, and SiriusXM names and all related marks and logos are trademarks of Sirius XM Radio Inc. All other trademarks are the property of their respective owners. VELCRO is a registered trademark of Velcro Industries.