

Let accessories help you...



enjoy complete motoring pleasure

1957 Accessories

- Air conditioning
- Electric fender antenna
- Manual fender antenna, left and right
- Autronic Eye headlamp control
- Front and rear basket units
- Seatbelts
- Wiring junction block
- Safetylight bracket
- Power brakes
- Locking gas cap
- Continental wheel carrier
- Electric clock
- Compass
- Full wheel covers
- Bumper cushion
- Tissue dispenser
- Gasoline filter unit
- License plate frame (chrome or gold)
- Glareshades
- Tinted safety glass
- Bumper guards
- Door edge guards
- Shoulder harness
- Heater and defroster
- Horn with third note
- Tool kit
- Kool Kooshion
- Back-up lamps
- Courtesy lamps
- Cigarette lighter
- Floor mats
- Outside rearview mirrors
- Inside non-glare rearview mirror
- Vanity visor mirror
- Body sill moulding
- Lower trunk lid edge moulding
- Radio: manual, push-button, or Wonder Bar
- Armrests
- Safetylight with mirror
- Radiator insect screen
- Power-positioned front seat
- Electric shaver
- Door handle shields
- Parking brake signal
- Rear seat speaker
- Wheel spinners
- Hand portable spotlight
- Power steering
- Vacuum tank
- Whitewall tires
- Ventshades
- Traffic light viewer
- Outside visors
- Inside visors
- Windshield washer (push-button or foot-operated)
- Electric-power window lifts
- Electric windshield wipers

AUTOCESSORIES TO ADD TO YOUR MOTORING PLEASURE

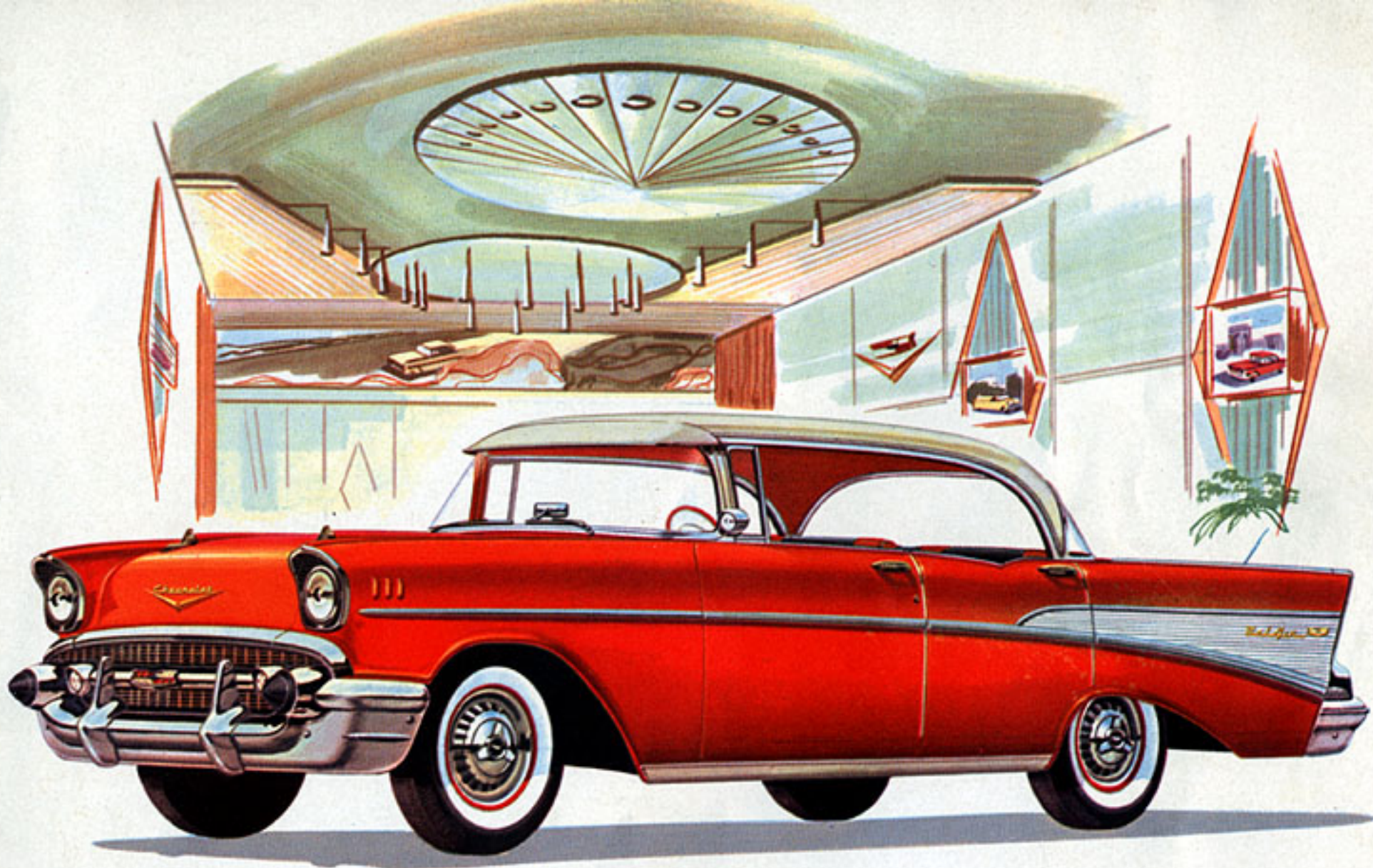


In this catalog you will find a wide range of accessories, many of which are comparable to items that you are accustomed to at home, work or play, and that will add greatly to the enjoyment of your Chevrolet. These accessories are designed to serve useful and functional purposes, to add more comfort, vision, safety and protection for you. Choose the accessories that best meet your individual requirements, with the assurance that they will serve you well and satisfactorily and add to your motoring pleasure.

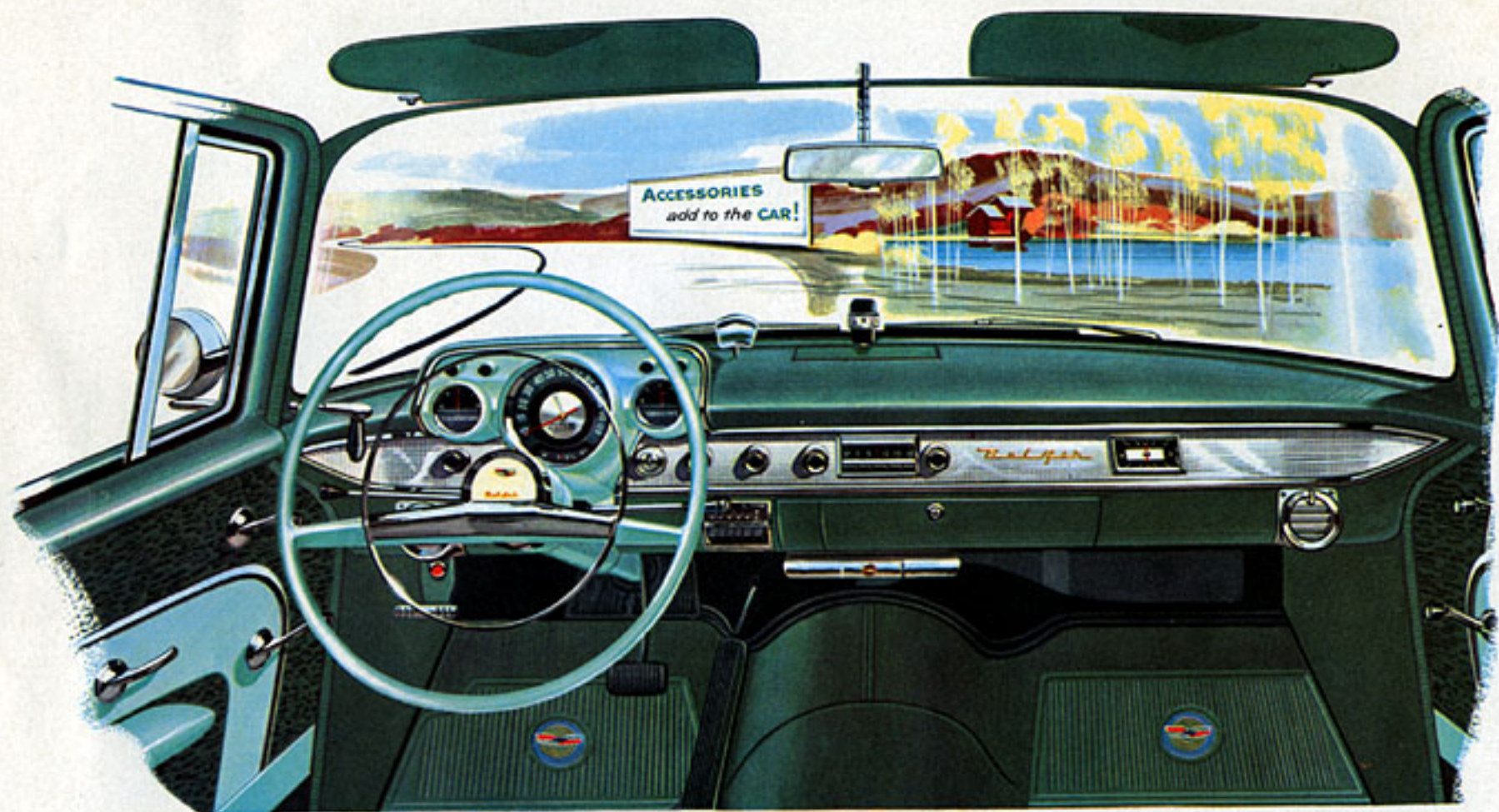
All illustrations and specifications contained in this literature are based on the latest product information available at the time of publication approval. The right is reserved to make changes at any time without notice in prices, colors, materials, equipment, specifications and models, and also to discontinue models.

CHEVROLET MOTOR DIVISION
GENERAL MOTORS CORPORATION • DETROIT 2, MICHIGAN

COPYRIGHT 1956
CHEVROLET MOTOR DIVISION
GENERAL MOTORS CORPORATION



THE ALL NEW ACCESSORIES-EQUIPPED BEL AIR SPORT SEDAN



THE ACCESSORIES shown will give you the general idea of the appearance and location of accessories installed in the front compartment of the car that can add comfort, safety and convenience for your driving pleasure.



CONTINENTAL WHEEL CARRIER. A wheel carrier that gives Chevrolet a continental sports car look . . . gives additional trunk space . . . sturdy, rattle-free.

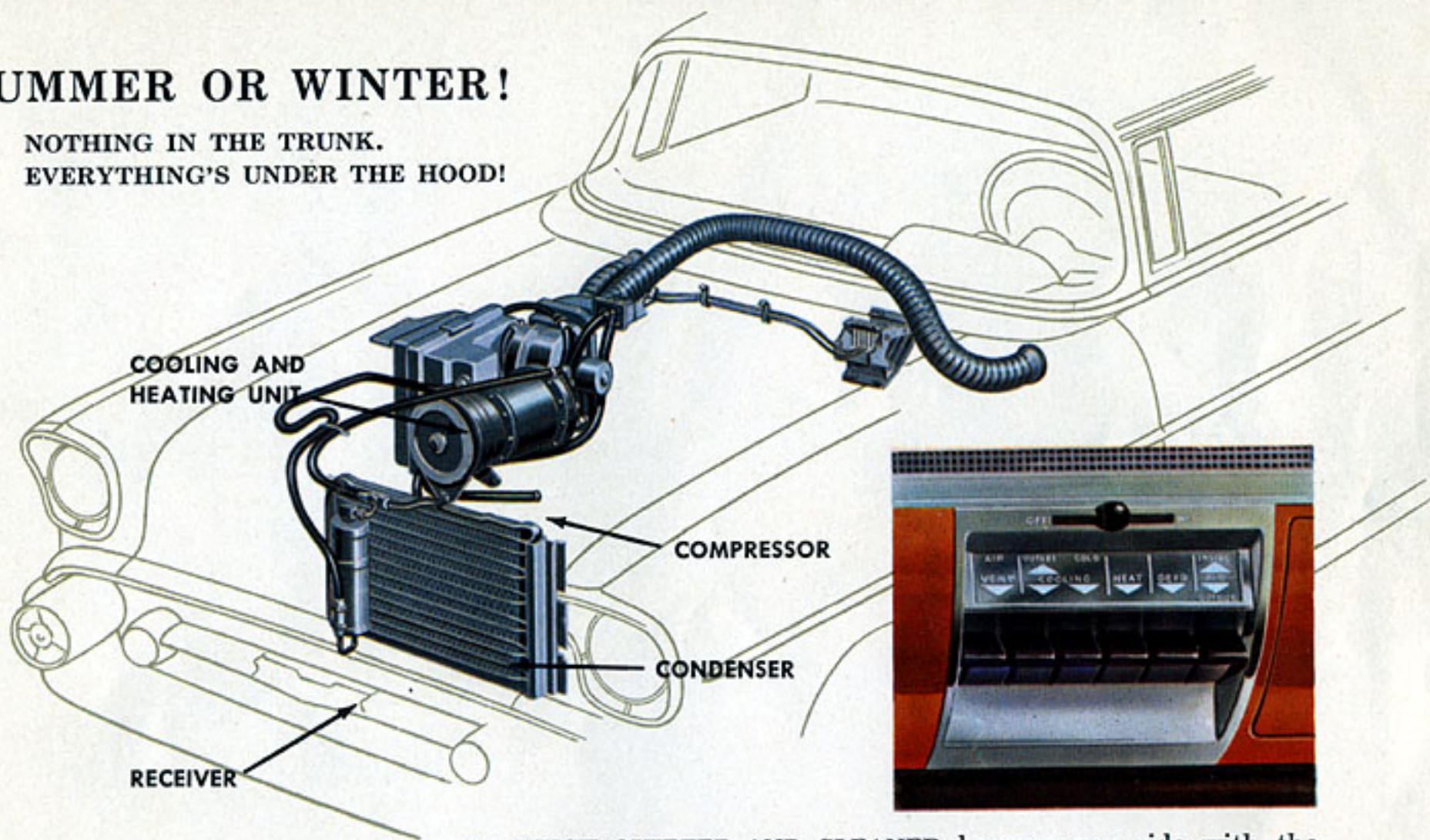
CHOOSE YOUR OWN CLIMATE.



YOU ARE THE WEATHERMAN when your Chevrolet is equipped with Chevrolet's modern all-weather air conditioner and heating system.

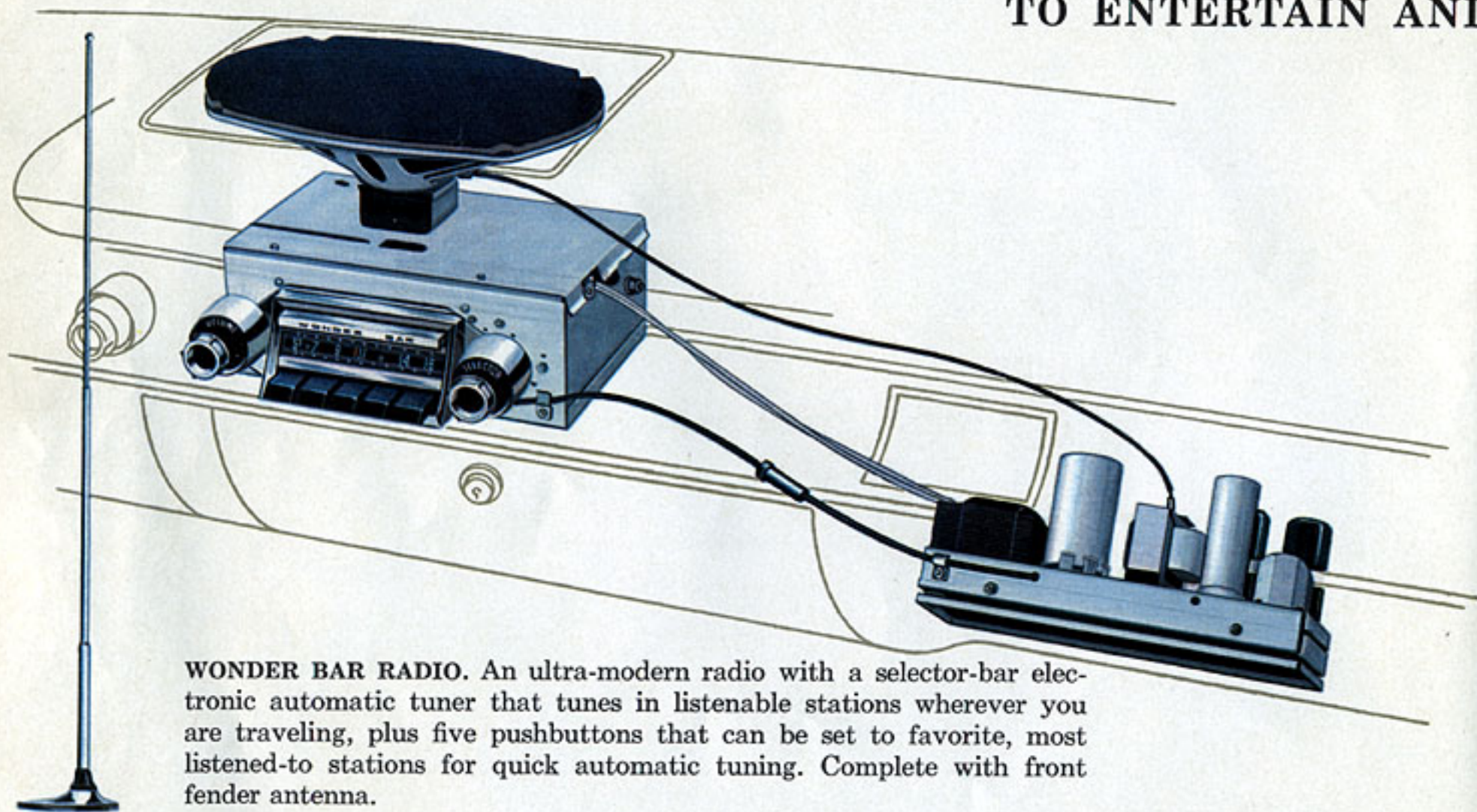
SUMMER OR WINTER!

**NOTHING IN THE TRUNK.
EVERYTHING'S UNDER THE HOOD!**



SO MUCH QUIETER AND CLEANER because you ride with the windows closed . . . on rainy, humid days windshield and windows stay moisture-free . . . you can direct the cool air anywhere inside the car with the adjustable air nozzles . . . smoke and odors removed, leaving clean, cool air . . . operates on either inside or outside air.

TO ENTERTAIN AND

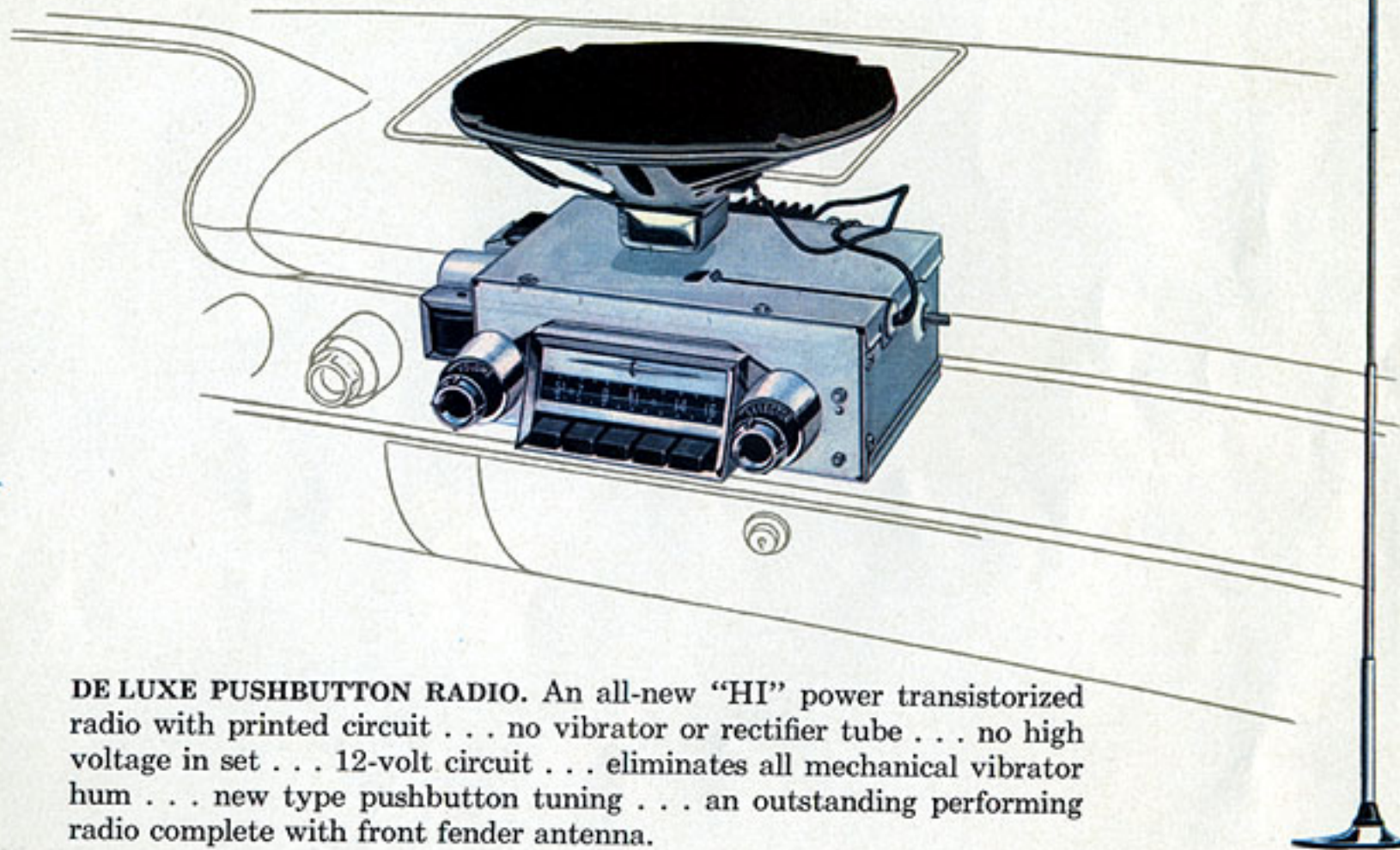


WONDER BAR RADIO. An ultra-modern radio with a selector-bar electronic automatic tuner that tunes in listenable stations wherever you are traveling, plus five pushbuttons that can be set to favorite, most listened-to stations for quick automatic tuning. Complete with front fender antenna.



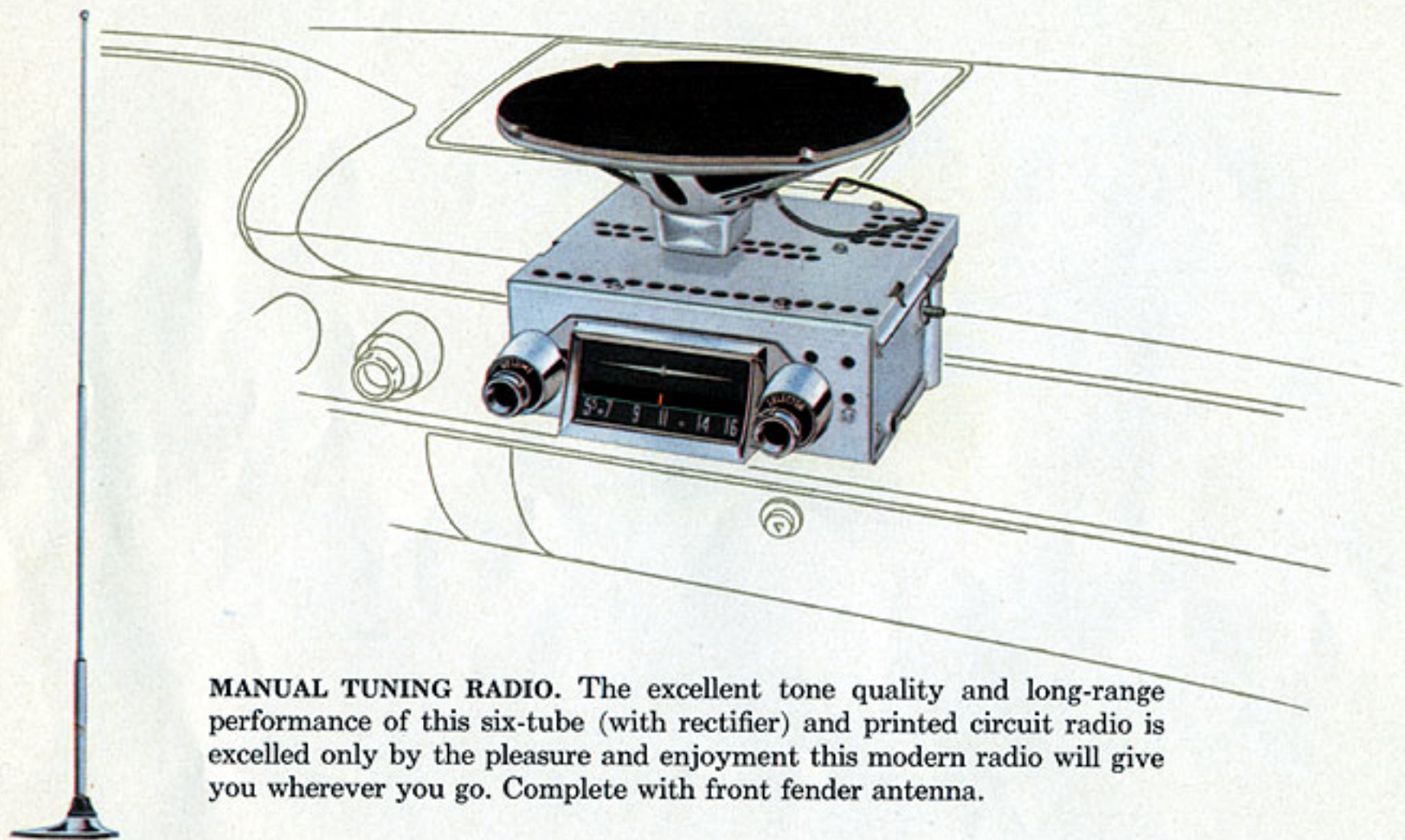
INDICATES

MAKE DRIVING MORE ENJOYABLE



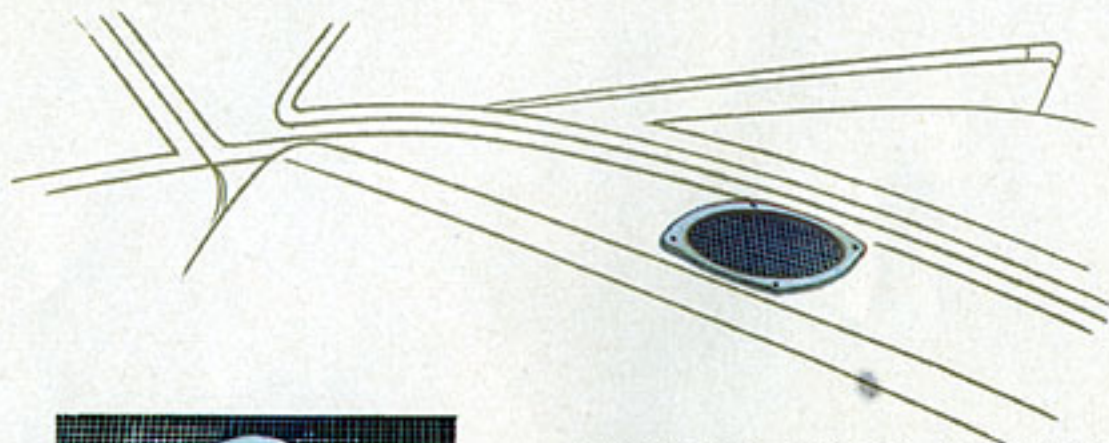
DE LUXE PUSHBUTTON RADIO. An all-new "HI" power transistorized radio with printed circuit . . . no vibrator or rectifier tube . . . no high voltage in set . . . 12-volt circuit . . . eliminates all mechanical vibrator hum . . . new type pushbutton tuning . . . an outstanding performing radio complete with front fender antenna.

CIVIL DEFENSE STATION LOCATIONS ON DIALS!



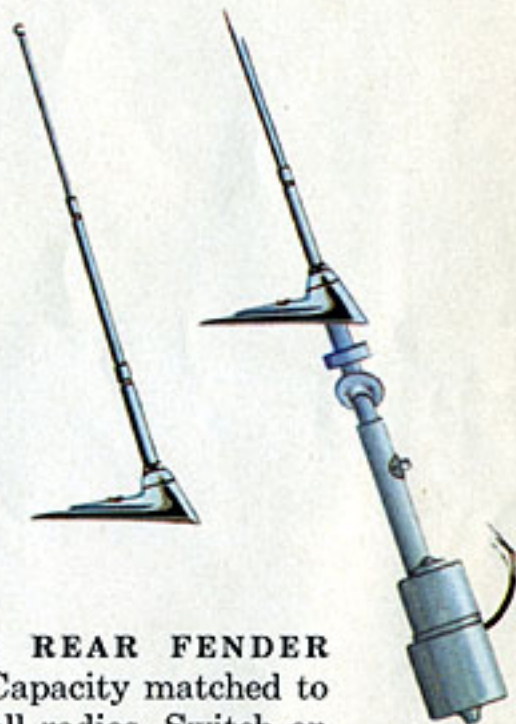
MANUAL TUNING RADIO. The excellent tone quality and long-range performance of this six-tube (with rectifier) and printed circuit radio is excelled only by the pleasure and enjoyment this modern radio will give you wherever you go. Complete with front fender antenna.

TO BETTER ENJOY YOUR RADIO



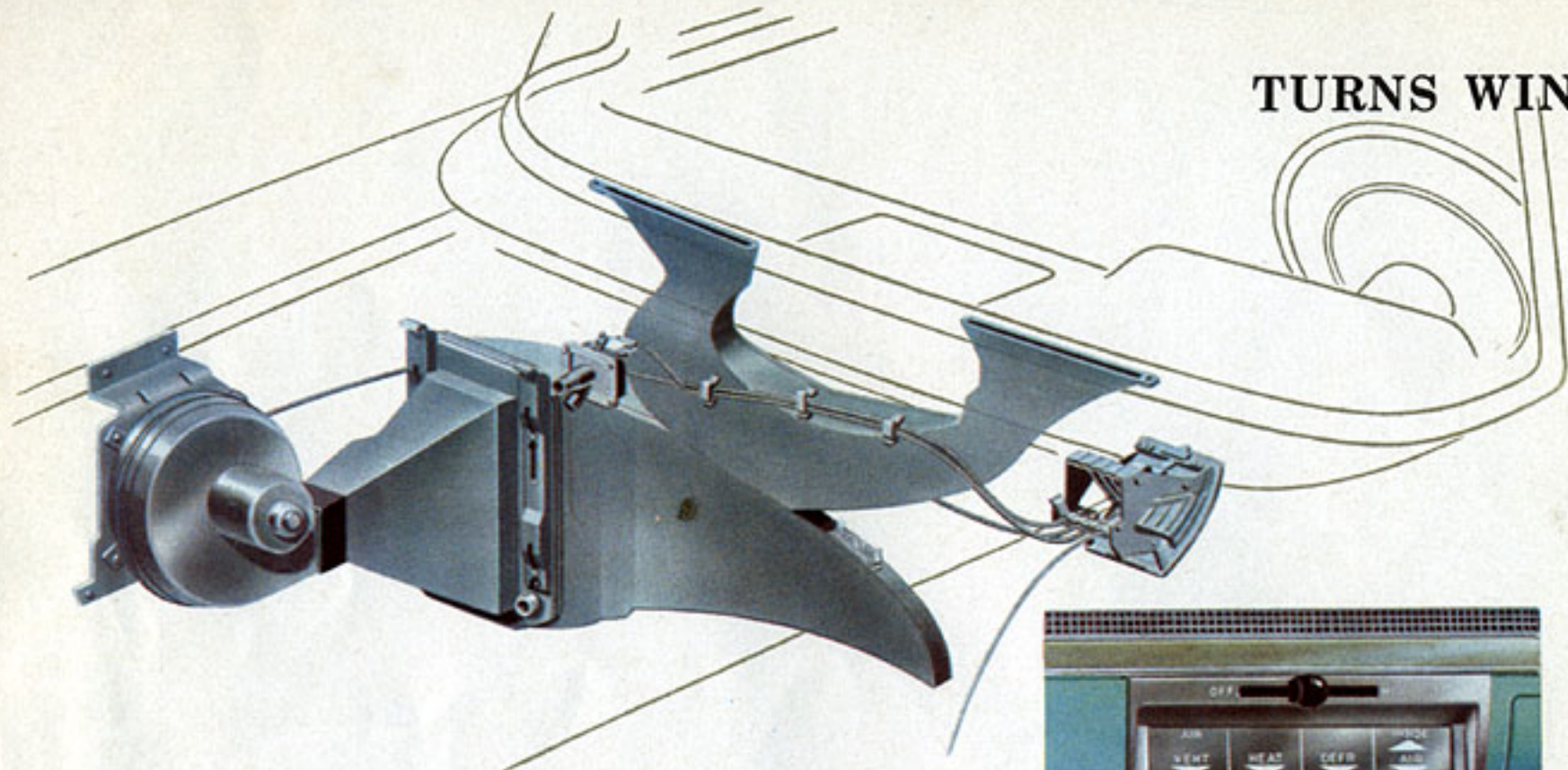
REAR SEAT SPEAKER. A large 6 x 9-inch speaker used in conjunction with the speaker in the radio . . . the combination of the two speakers gives excellent tone quality and tone distribution throughout the car for greater enjoyment.

MANUAL REAR FENDER ANTENNA. Many car owners like to have the antenna mounted on the rear of the car . . . matched to radio and will not affect radio performance.

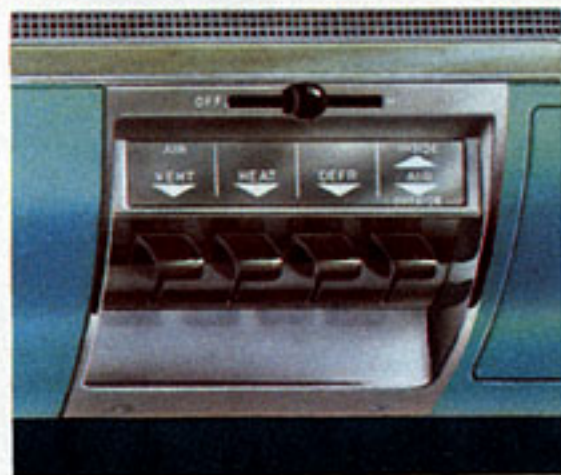


ELECTRIC REAR FENDER ANTENNA. Capacity matched to operate on all radios. Switch on instrument panel to raise or lower antenna.

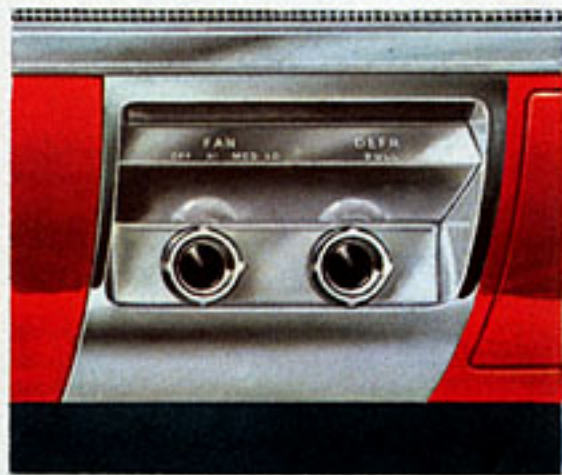
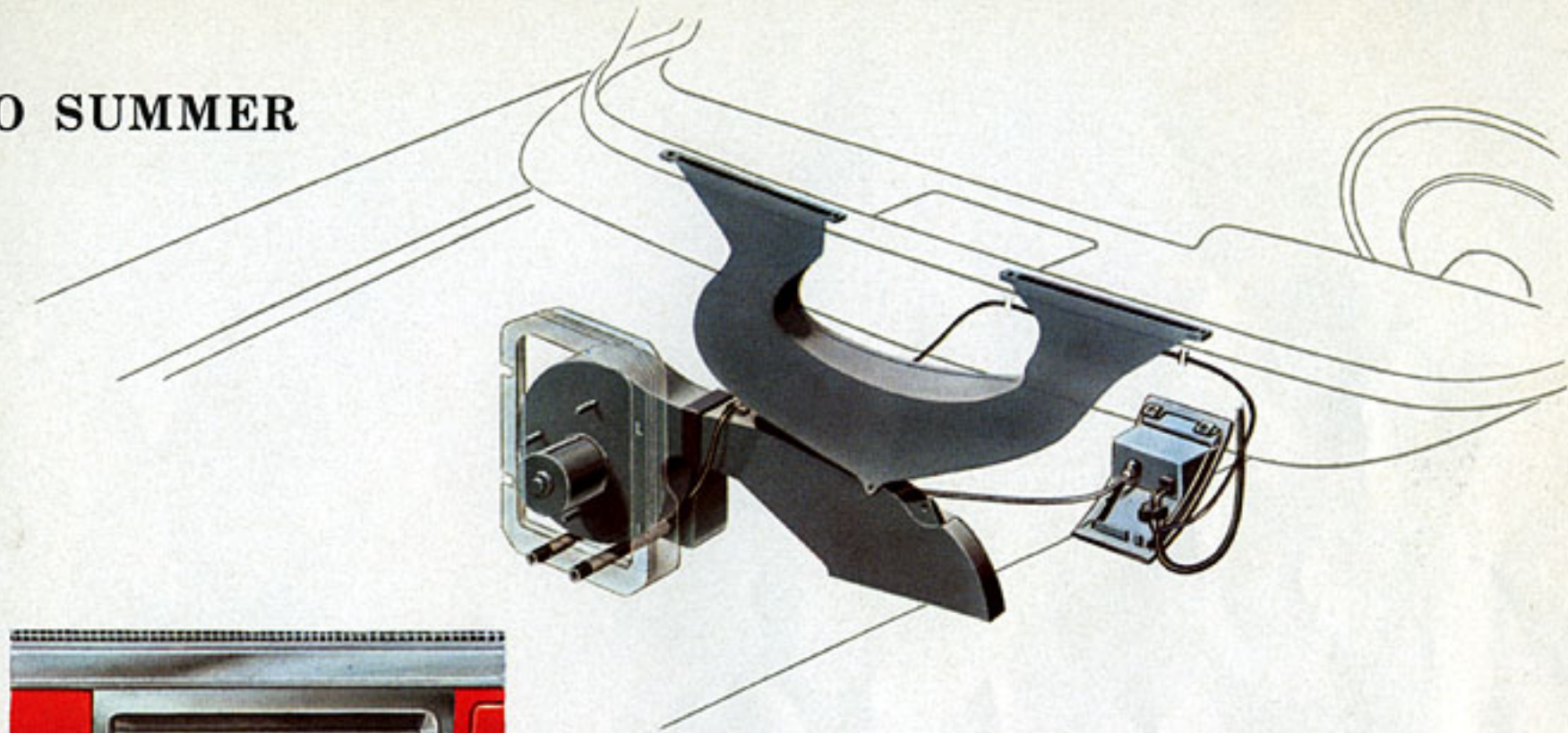
URNS WINTER



DE LUXE HEATER AND DEFROSTER. A controlled heating and ventilating system for winter and summer, providing living-room comfort in all weather. Permits the use of inside or outside air for heating . . . removes smoke, and can change air inside car about once every minute . . . new powerful defroster to remove fog, ice and snow from the windshield for better vision.



INTO SUMMER



RECIRCULATING HEATER AND DEFROSTER. An all-round utility heater and defroster with large all-copper heating core, high-speed motor and centrifugal blower, to provide sufficient heat for the car and for removing ice and snow from the windshield.

An illustration of a woman and a young child sitting in the front passenger seat of a car. The woman is wearing a red hat with a white band and a red jacket, and is holding a blue mobile phone. The child is wearing a pink dress and a white hat with a pink band, and is holding a white stuffed animal. Both are wearing dark blue seat belts. A black seat pad is placed on the seat. The car's interior, including the steering wheel and dashboard, is shown in a simple line-art style.

ACCESSORIES FOR YOUR SAFETY

SEAT BELT. For added safety . . . all nylon webbing . . . quick release buckle.

SHOULDER HARNESS. For use with seat belts.

KOOL KOOSHION. A ventilated seat pad . . . allows air to circulate around your body.

MIRRORS FOR YOUR INDIVIDUAL REQUIREMENTS

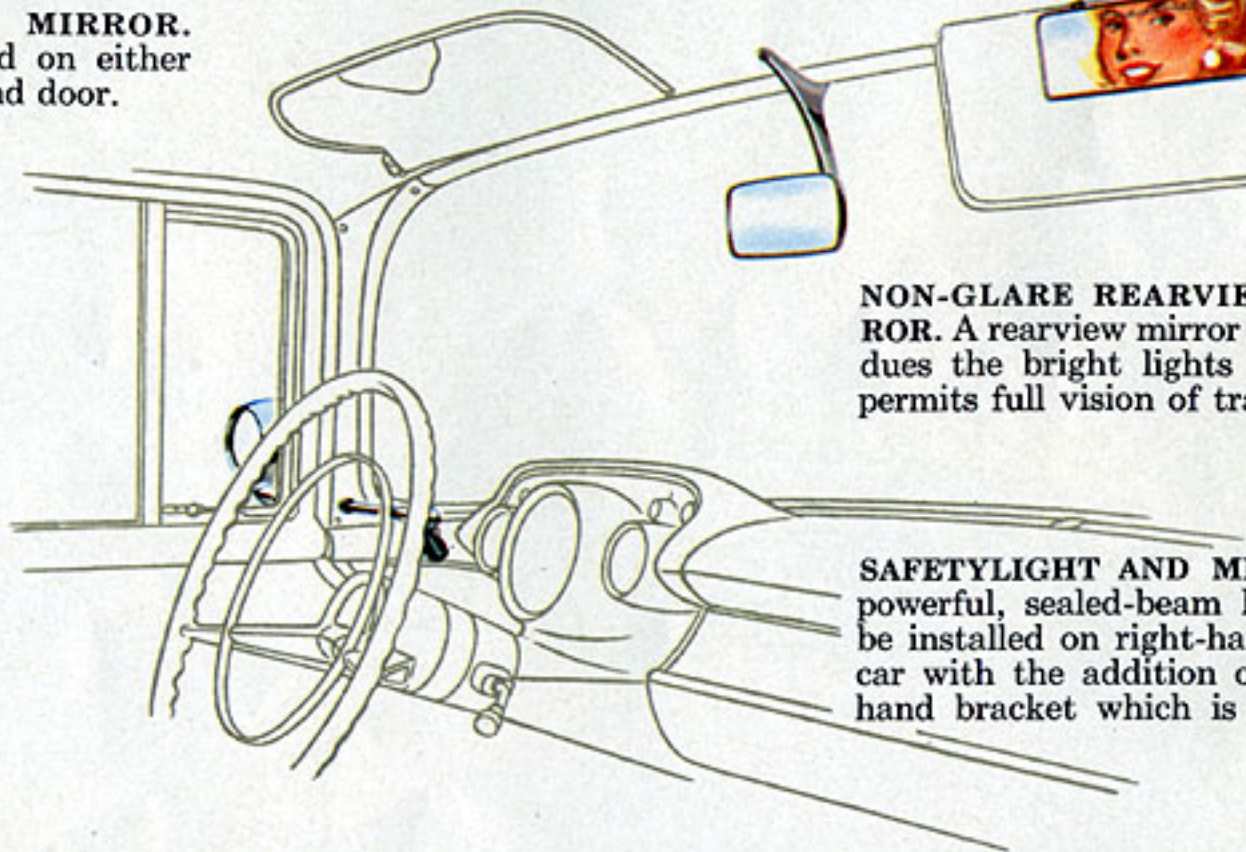


BODY MOUNT MIRROR. Can be mounted on either right- or left-hand door.

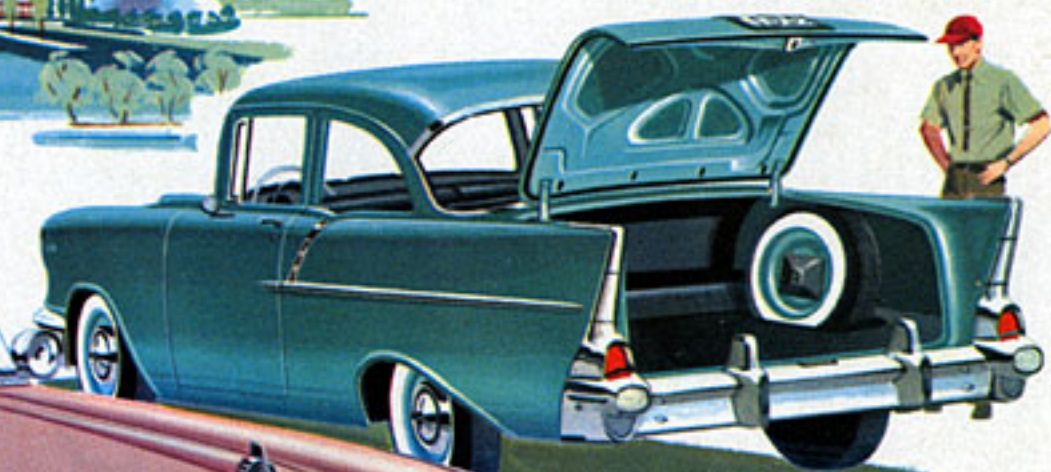
VANITY VISOR MIRROR. Ideal make-up mirror clips to either the right or left sun visor.



NON-GLARE REARVIEW MIRROR. A rearview mirror that subdues the bright lights and still permits full vision of traffic.

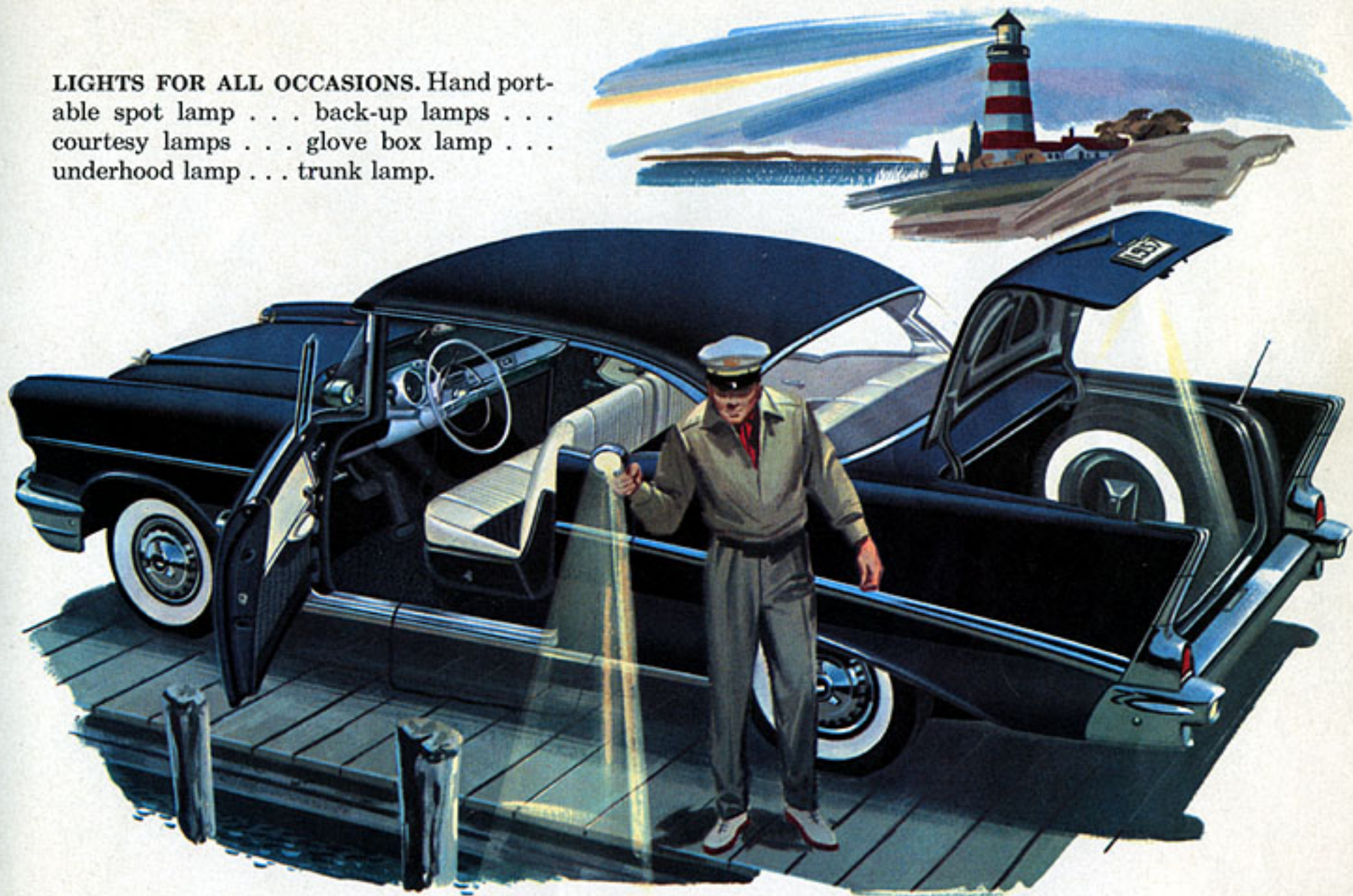


SAFETYLIGHT AND MIRROR. A powerful, sealed-beam light. Can be installed on right-hand side of car with the addition of a right-hand bracket which is available.

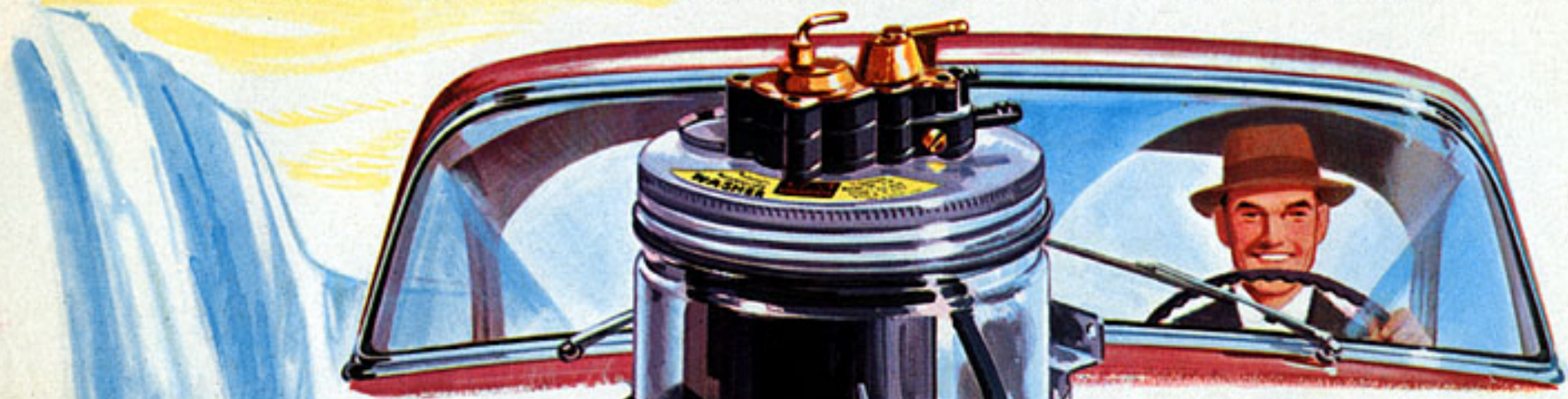


FRONT AND REAR BUMPER GUARDS. To help prevent bumper locking . . . added protection to the front and rear of car.

LIGHTS FOR ALL OCCASIONS. Hand portable spot lamp . . . back-up lamps . . . courtesy lamps . . . glove box lamp . . . underhood lamp . . . trunk lamp.



WINDSHIELD WASHERS FOR BETTER VISION



WINDSHIELD WASHER VACUUM TANK. Assists in keeping sufficient vacuum on wiper motor for smooth positive wiper action.



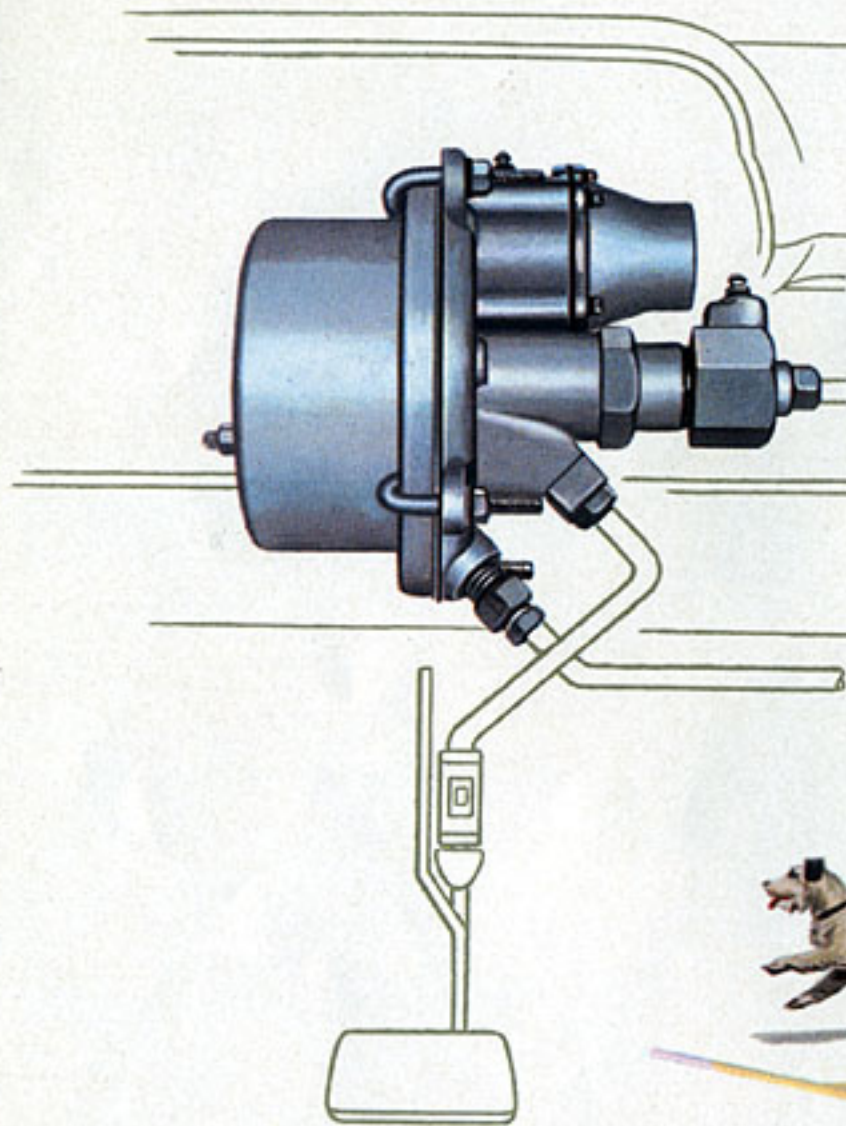
VACUUM-TYPE WASHER. When button is depressed water sprays on the glass and wiper blades are started. Automatically stops.

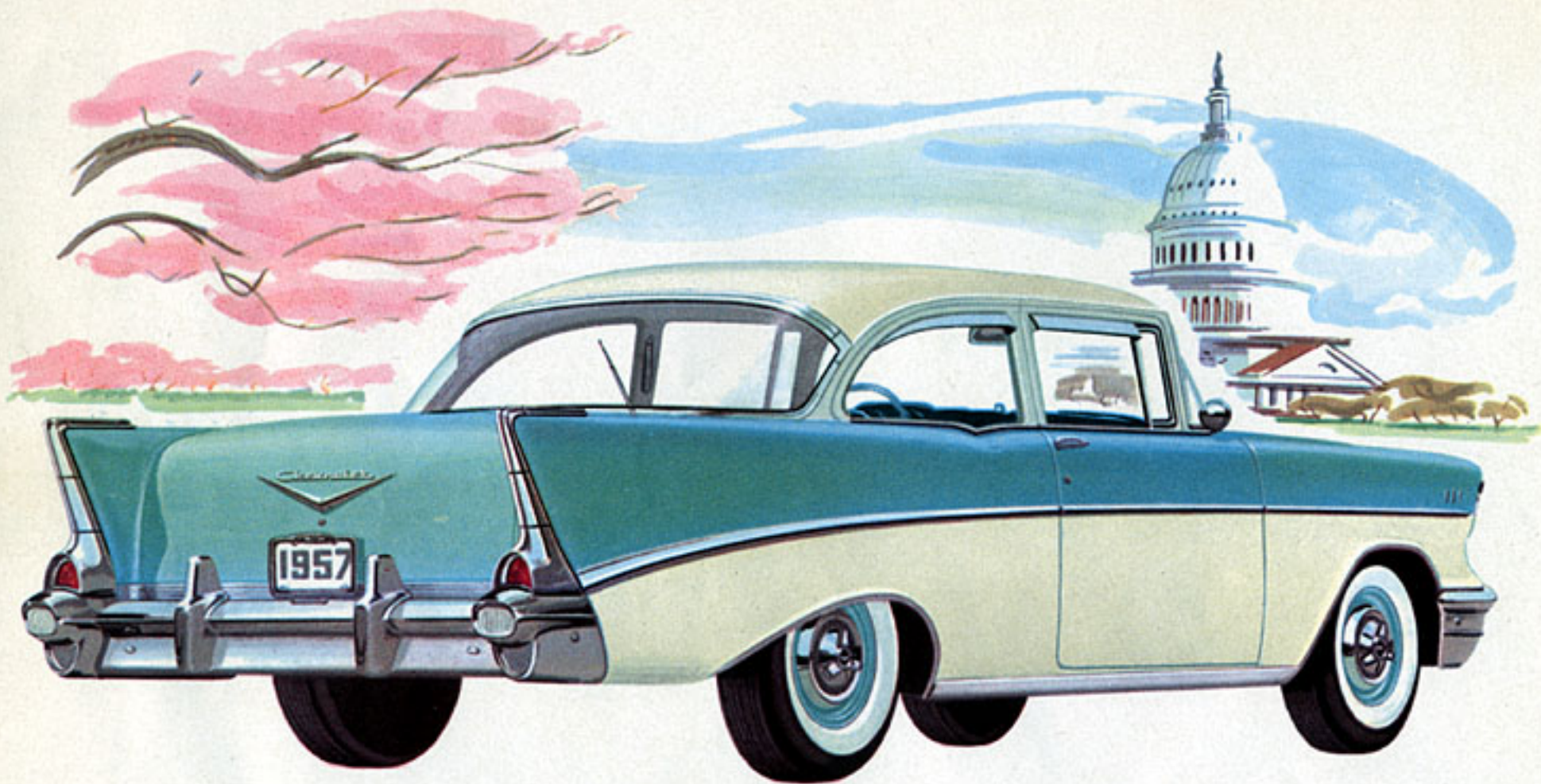


FOOT-OPERATED TYPE. Depressing foot lever sprays water on windshield, puts wiper blades into action. When lever is released, wiper blades return to parked position.

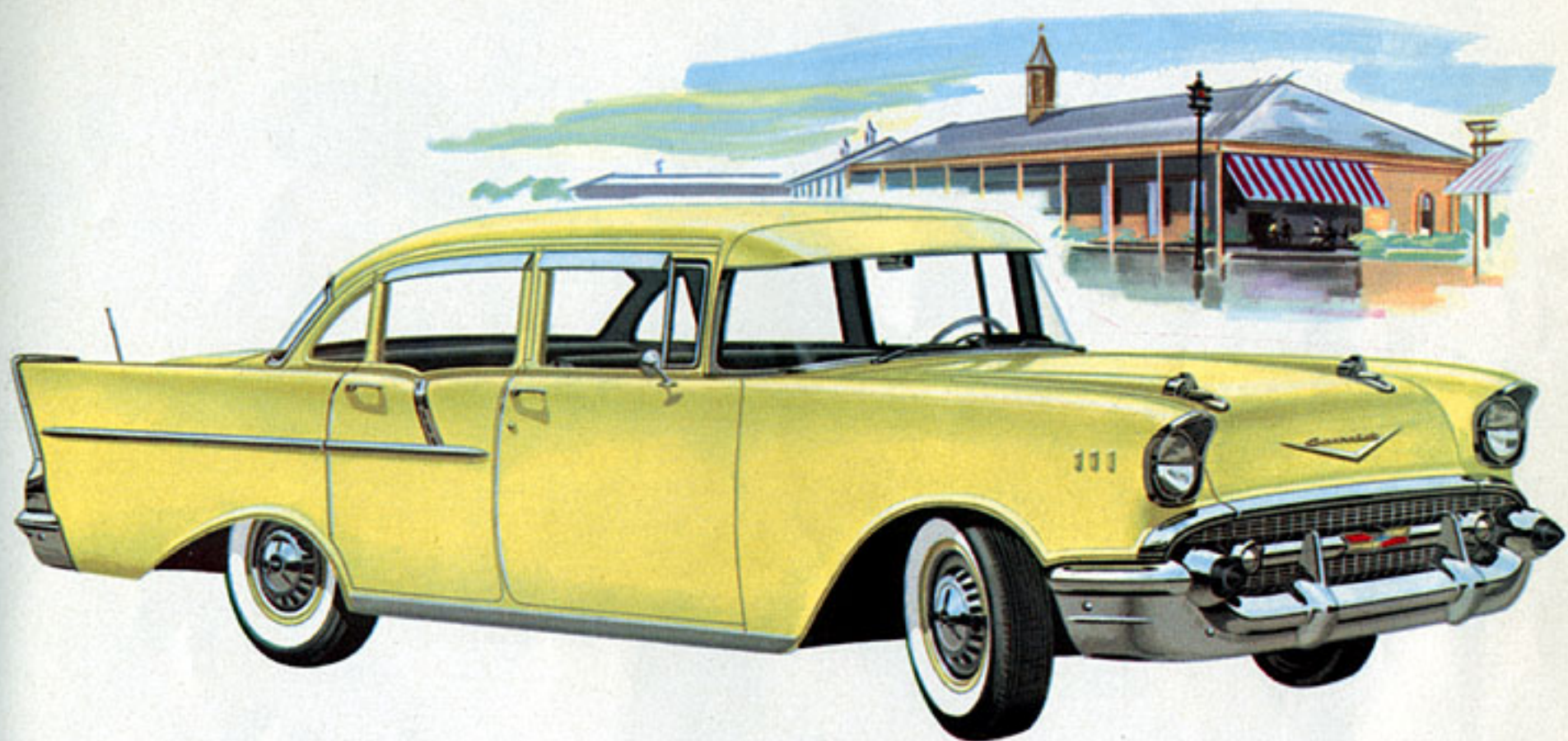
ACCESSORY POWER BRAKES

POWER BRAKES that give a smooth, positive stop with little brake pedal effort . . . can be installed on any 1957 passenger car or station wagon.





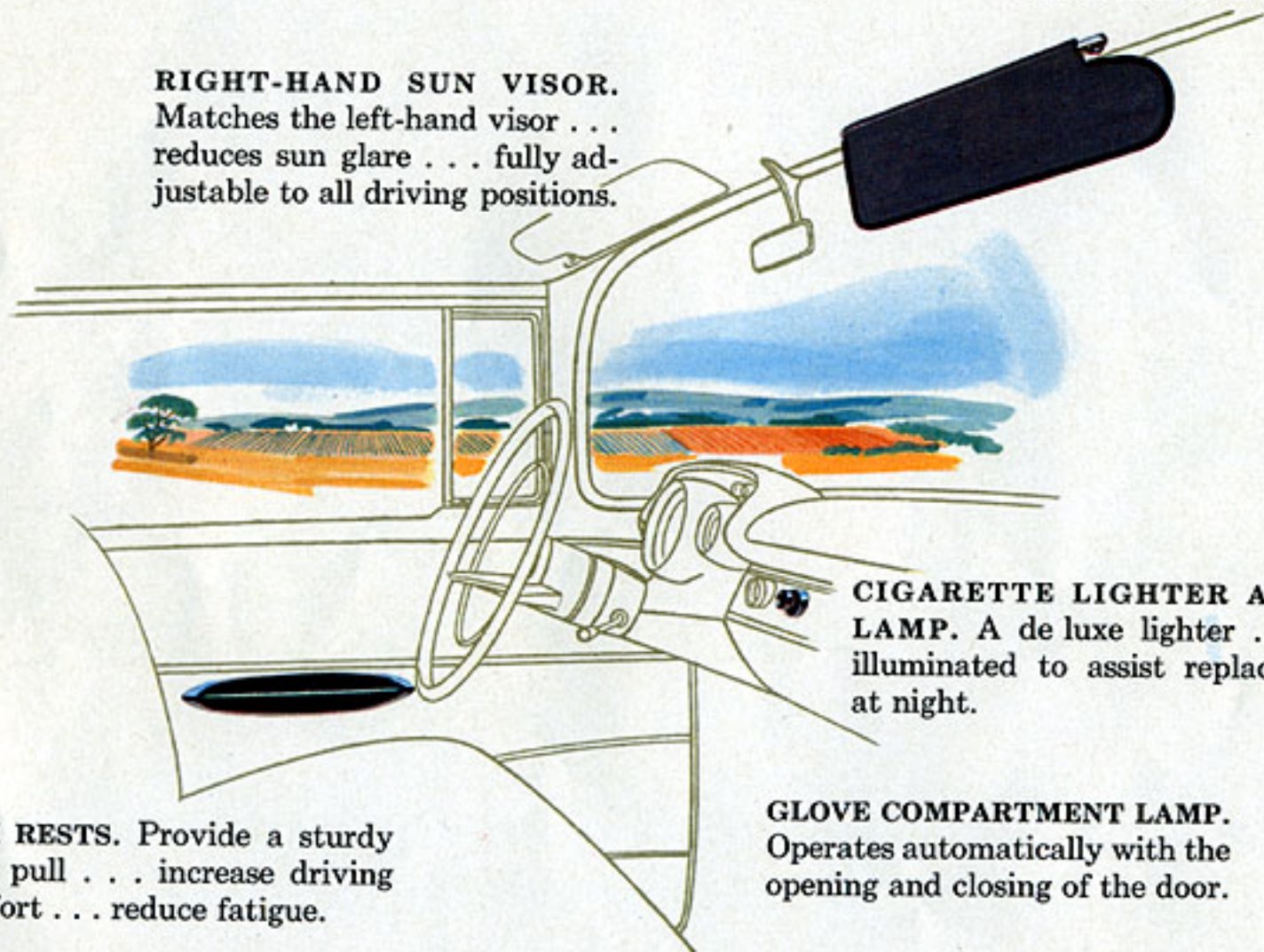
THE ACCESSORIES-EQUIPPED "TWO-TEN" SEDAN
ACCESSORIES HELP MAKE THE CAR A COMPLETE CAR



THE ACCESSORIES-EQUIPPED "ONE-FIFTY" SEDAN
ACCESSORIES HELP MAKE THIS A GREAT UTILITY CAR

ACCESSORIES TO

RIGHT-HAND SUN VISOR.
Matches the left-hand visor . . .
reduces sun glare . . . fully ad-
justable to all driving positions.



**CIGARETTE LIGHTER AND
LAMP.** A de luxe lighter . . .
illuminated to assist replacing
at night.

ARM RESTS. Provide a sturdy
door pull . . . increase driving
comfort . . . reduce fatigue.

GLOVE COMPARTMENT LAMP.
Operates automatically with the
opening and closing of the door.

SERVE YOU BETTER!



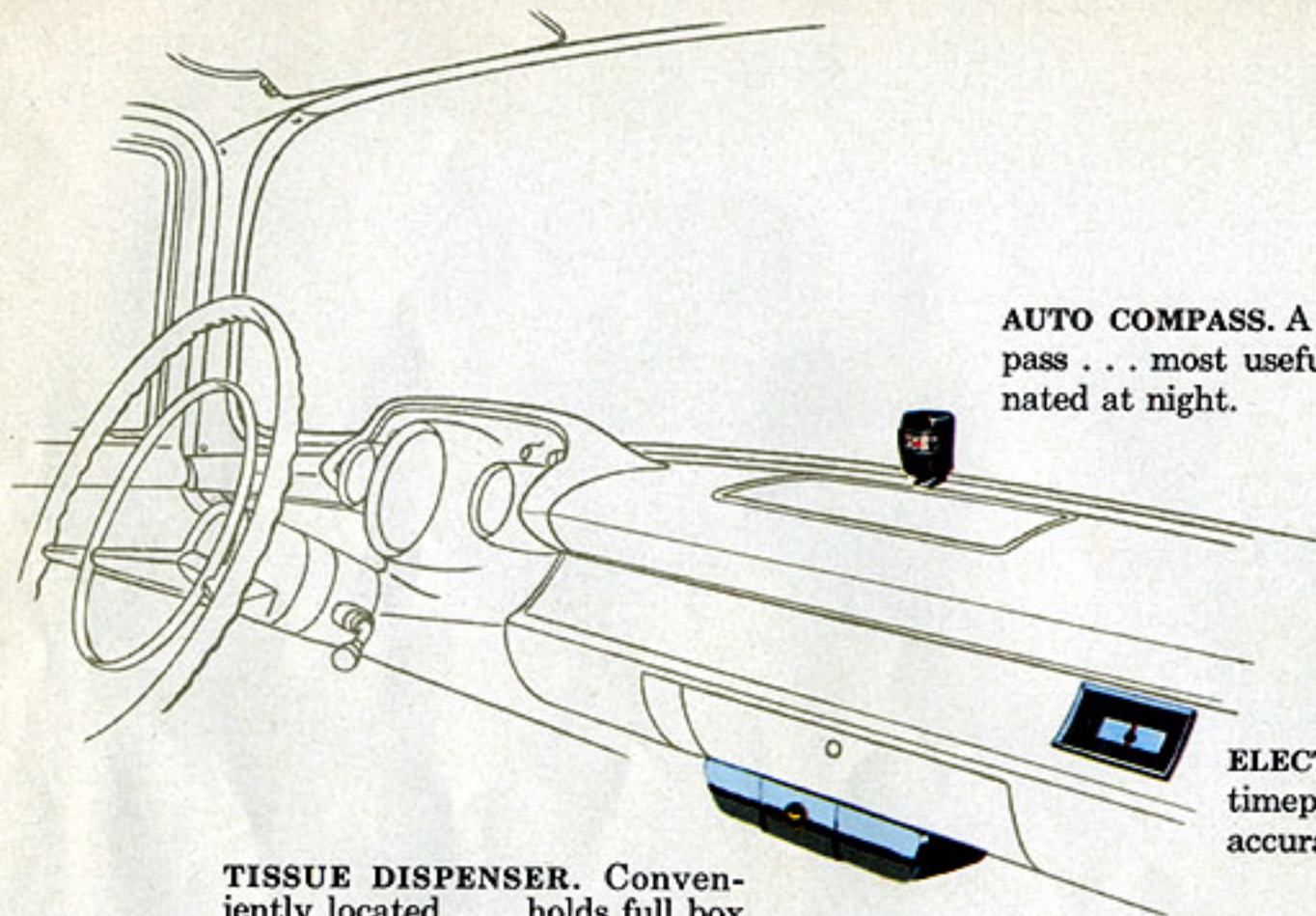
ACCELERATOR PEDAL COVER.
Fits snugly and securely over
accelerator pedal . . . helps in-
crease life of floor mat.



DE LUXE CONTOUR FLOOR MATS.
Custom tailored to fit the front compart-
ment, easily removed and replaced.



RUBBER FLOOR MATS. Large, colorful
mats that help protect the regular car
mats . . . easy to clean . . . ideal kneeling
pad to change tires.

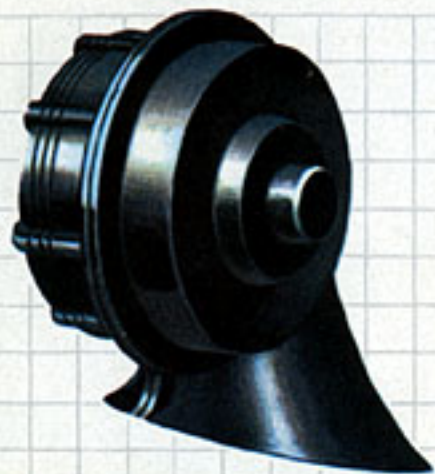


AUTO COMPASS. A reliable compass . . . most useful . . . illuminated at night.

TISSUE DISPENSER. Conveniently located . . . holds full box of standard tissues.

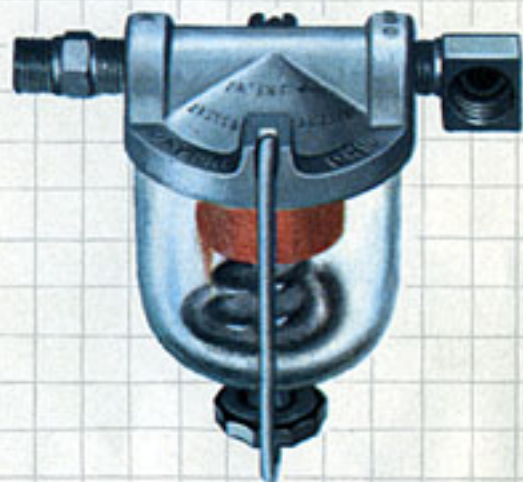
ELECTRIC CLOCK. A precision timepiece . . . self-starting . . . accurate . . . dependable.

TO MAKE YOUR DRIVING MORE ENJOYABLE

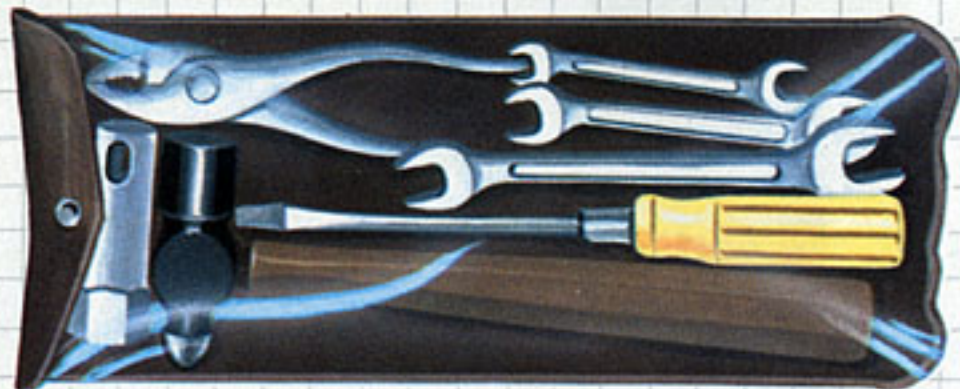


THIRD-TONE HORN

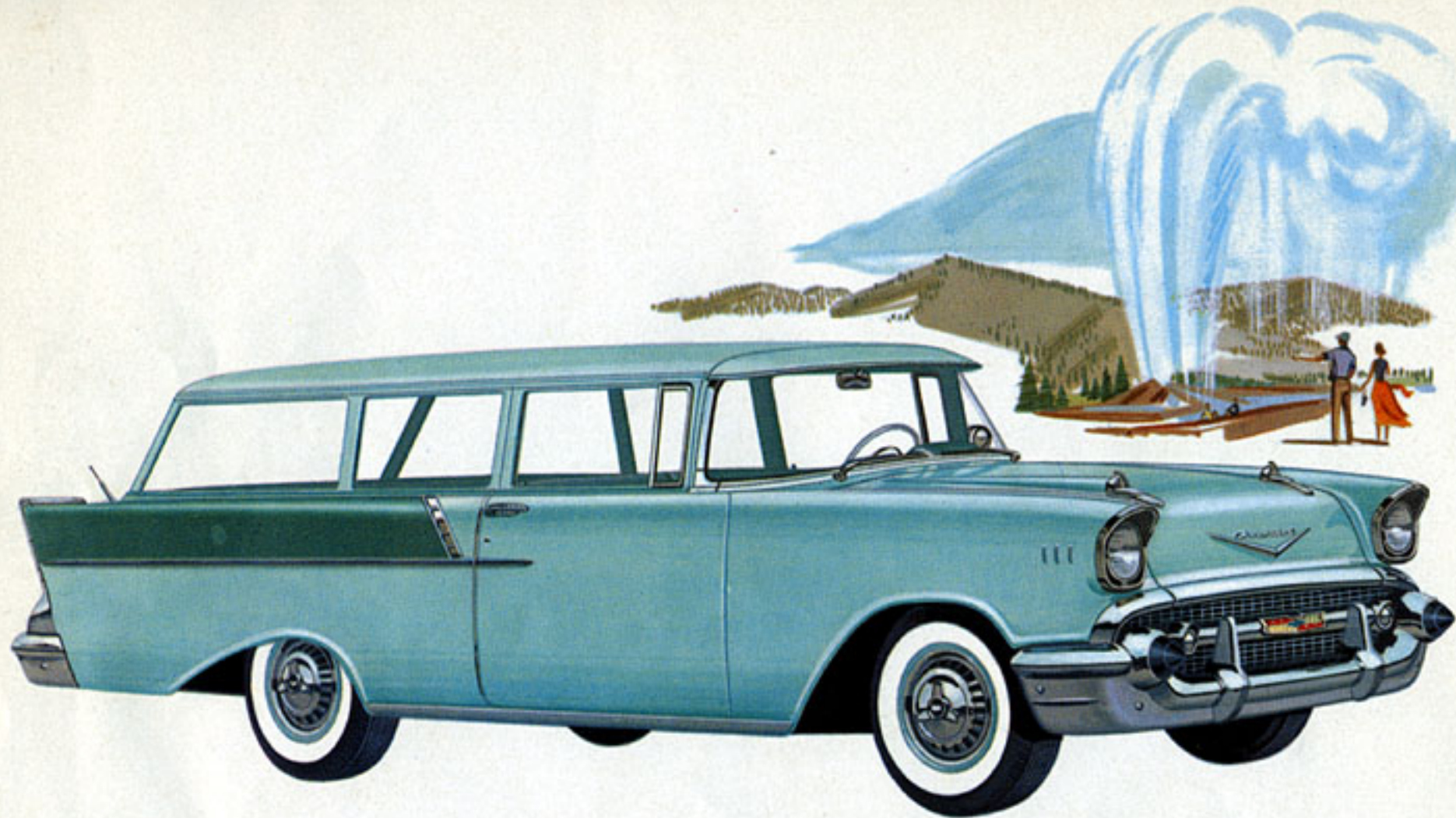
LOCKING GASOLINE CAP



GASOLINE FILTER

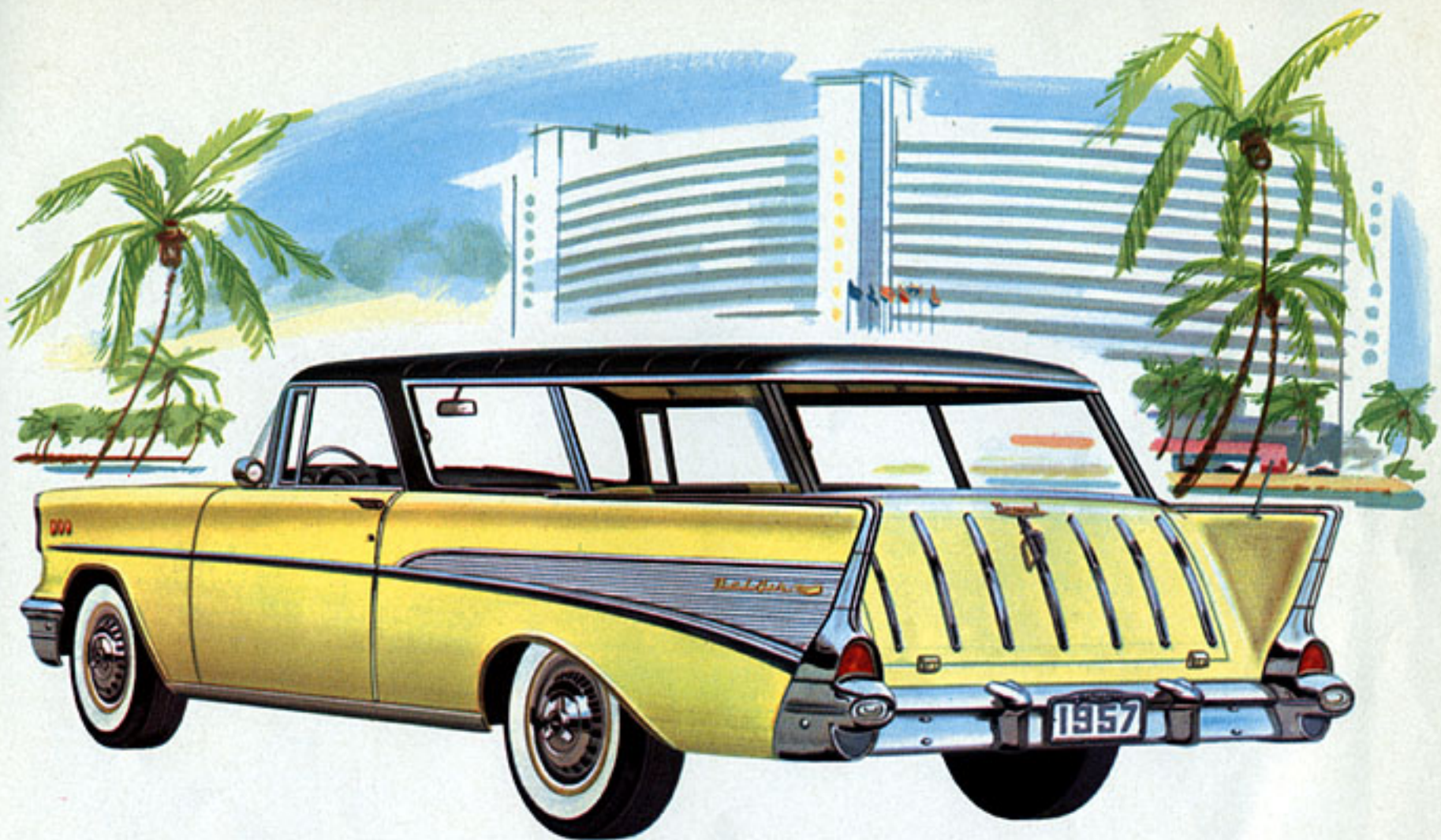


EMERGENCY TOOL KIT



THE ACCESSORIES-EQUIPPED "ONE-FIFTY" HANDYMAN

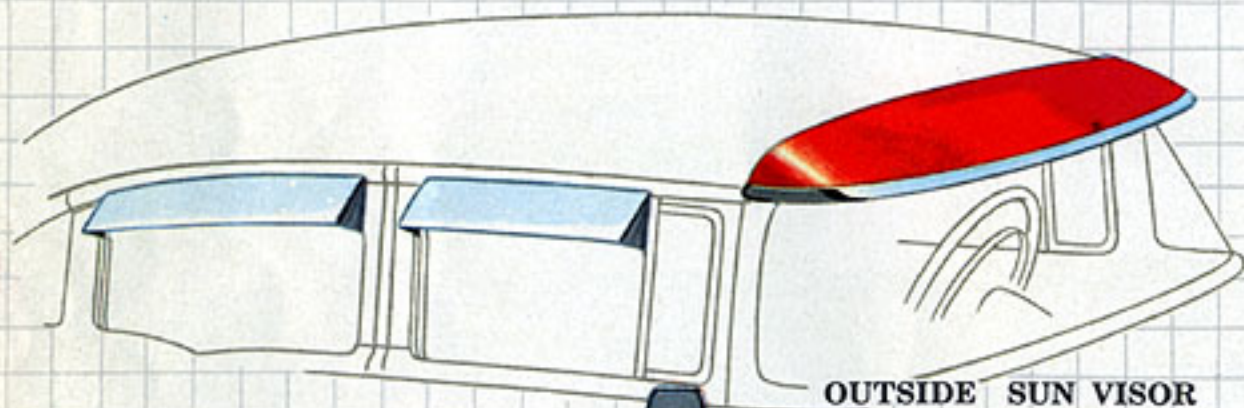
ACCESSORIES HELP MAKE THE STATION WAGON THE GREAT FAMILY CAR



THE ACCESSORIES-EQUIPPED BEL AIR NOMAD

ACCESSORIES HELP MAKE THE NOMAD KING OF THE WAGONS

ACCESSORIES ADD MORE



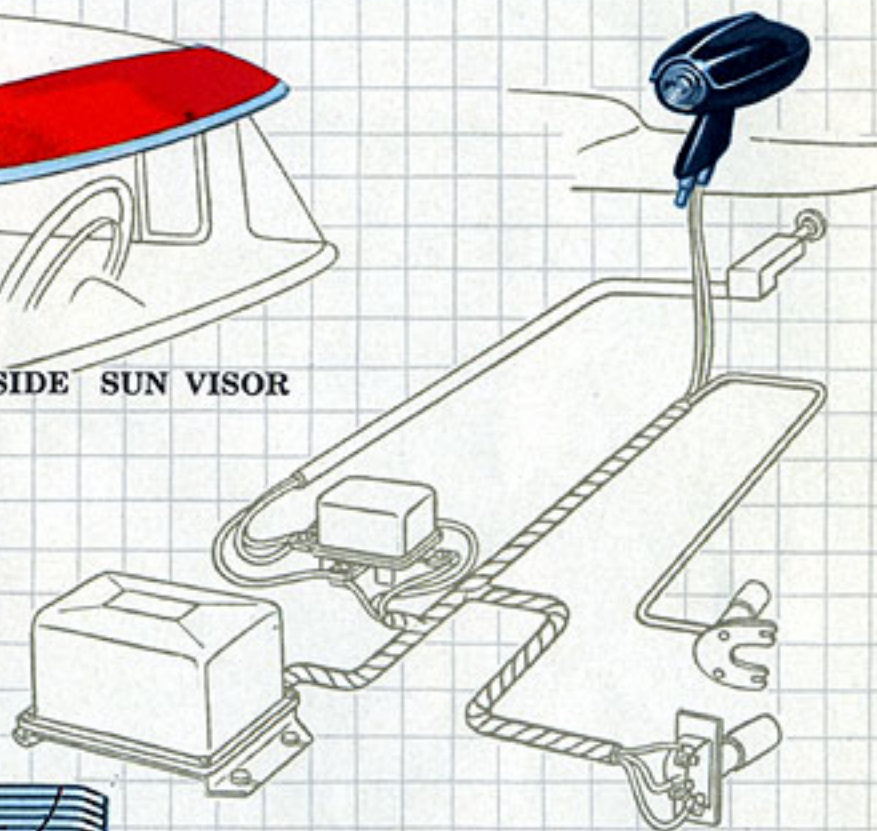
VENTSHADES permit windows to be lowered a few inches when driving in the rain or when parked.



WHEEL SPINNERS. Fits either wheel covers or hubcaps.

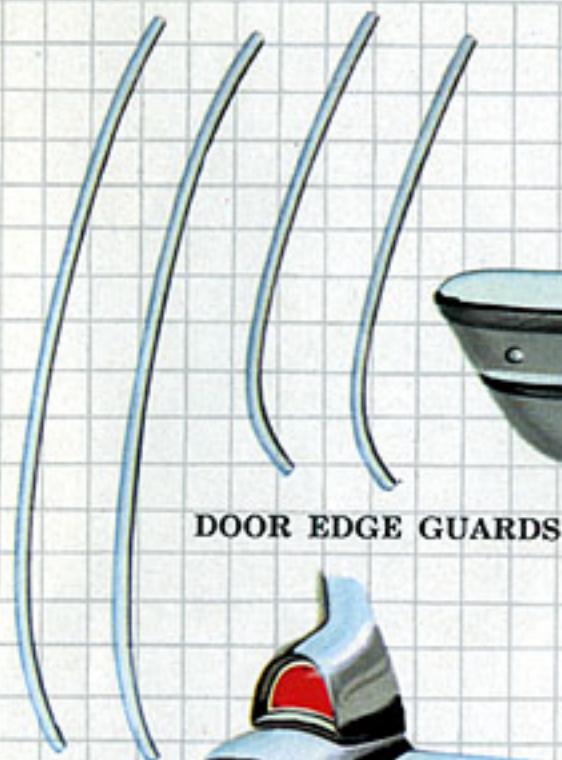


DECK LID MOLDING



AUTRONIC EYE. Automatically controls headlamp beams.

PLEASURE TO YOUR MOTORING



DOOR EDGE GUARDS

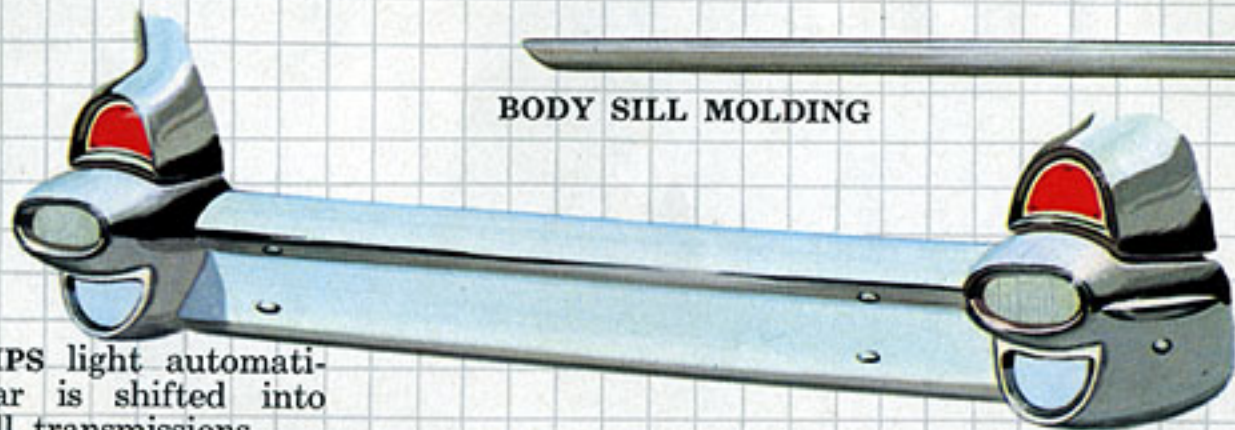
FRONT BUMPER
RUBBER CUSHION



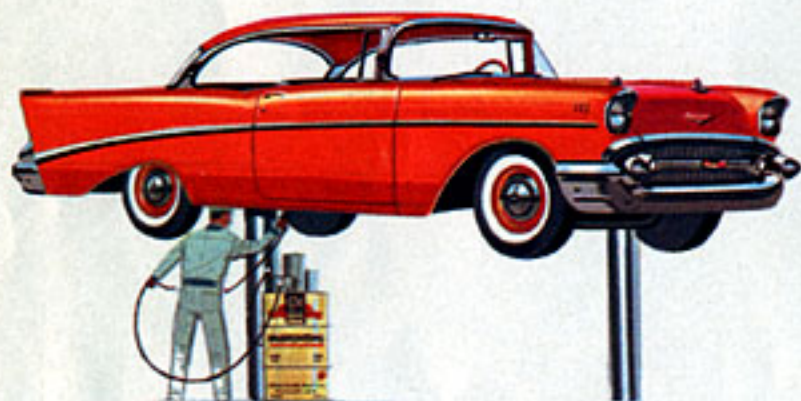
PRESSURE SPRAY
TOUCH-UP PAINT.
All 1957 passenger car
colors are available.



BODY SILL MOLDING



BACK-UP LAMPS light automati-
cally when car is shifted into
reverse. Fits all transmissions.



G. M. UNDERCOATING. Provides a tough coating, sealing the underside of the car and fenders against rust, corrosion and abrasion; deadens road noises.



TOUCH-UP PAINT. A convenient touch-up paint available in all the new Chevrolet colors. A quick, easy way to fix nicks and scratches.



G. M. PERMANENT type Anti-freeze is non-evaporating, with high boiling point and rust and corrosion inhibitor.

G. M. METHANOL. Anti-freeze is an economical cooling system protection with rust and corrosion inhibitor.



G. M. PORCELAINIZE. A paint treatment that gives any car a long-lasting high luster finish.



AS YOUR FRIENDLY CHEVROLET DEALER. We are always at your service . . . ready and able to assist you with all your automotive requirements so that you can enjoy all the pleasures . . . comfort . . . and safety from your Chevrolet. We extend you a cordial invitation to make our dealership your headquarters for all your automotive needs. Our staff of experienced personnel knows your Chevrolet and Chevrolet products best . . . and can offer you prompt and courteous attention at all times.

