

CHEVROLET *Advance-Design* TRUCKS



NEW

POWER ★ PERFORMANCE ★ SAFETY ★ DURABILITY ★ ECONOMY

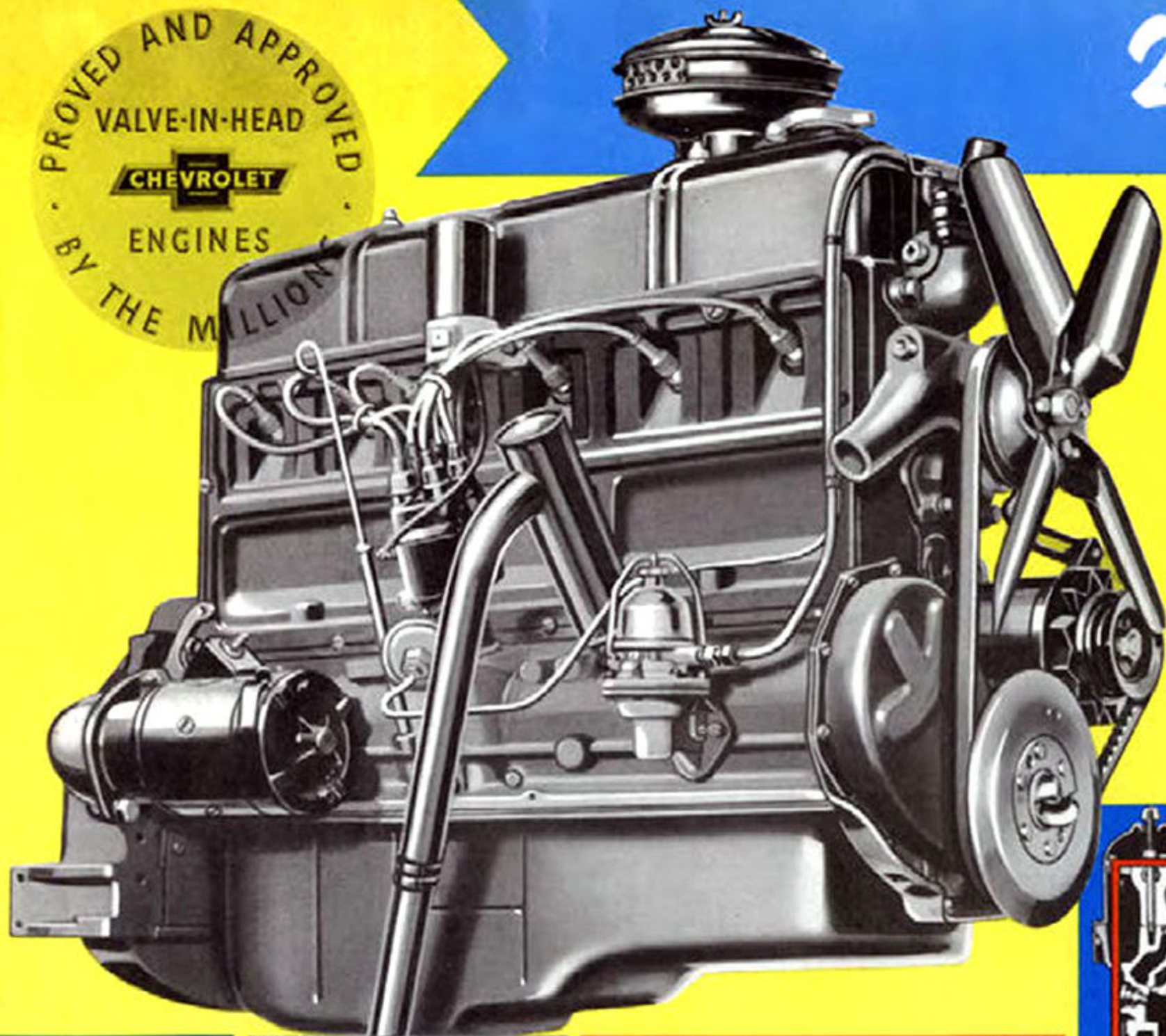
PROVED AND APPROVED
VALVE-IN-HEAD
CHEVROLET
ENGINES
BY THE MILLIONS

2 FAMOUS VALVE-

Again the **THRIFTMASTER** means
more economical power
over the long hauls and short ones, too

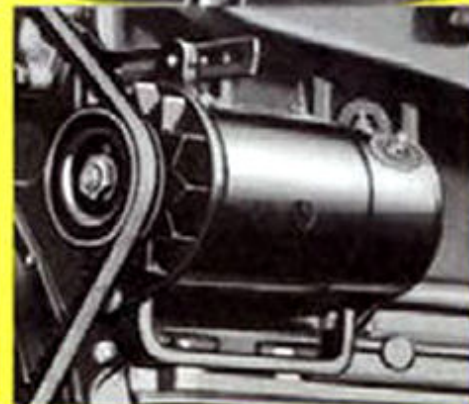
In the Thriftmaster engine are incorporated all the outstanding features, tried and proved over many years, in valve-in-head engine design. The durable Thriftmaster delivers those extra miles of engine life at low cost per mile—a *traditional Chevrolet characteristic!*

With ample power to respond quickly to every traffic situation, the Thriftmaster for 1953, with new Advance-Design features, presents an even sounder investment which will be reflected in both performance and economy.



FUEL PUMP

Refinements in the fuel pump add to its dependability and effectiveness.



GENERATOR

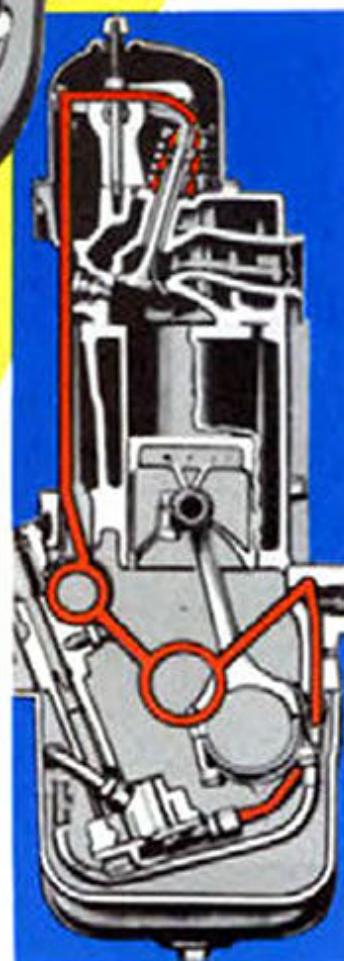
Higher capacity 45-ampere generator, standard on all truck models, provides greater output capacity to prevent battery discharge under maximum electrical load.

NEW SPARK PLUG COVERS, an additional ignition feature, provide easier starting under all climatic conditions.



MUFFLER

Noises of exhaust gases are throttled but their passage is unrestricted. Chevrolet's "straight through" muffler design permits smoother engine operation.



4-WAY LUBRICATION

Another Chevrolet "First"—a major factor in the long life of Chevrolet's two famous valve-in-head truck engines, 4-way lubrication combines the best features of the full pressure and splash systems. It provides: (1) direct pressure to crankshaft main and camshaft bearings; (2) pressure streams to connecting rod bearings; (3) metered pressure to valve-operating mechanisms; (4) controlled lubrication of cylinder walls. Lubrication in the right amount is supplied to each moving part to reduce wear to a minimum and effect maximum oil economy.

SHORT PISTON STROKE

An important factor in Chevrolet's enviable reputation for power and economy, the short piston stroke is an inherent part of the Advance-Design valve-in-head performance and long life. Millions of satisfied truck operators know the value of this feature.



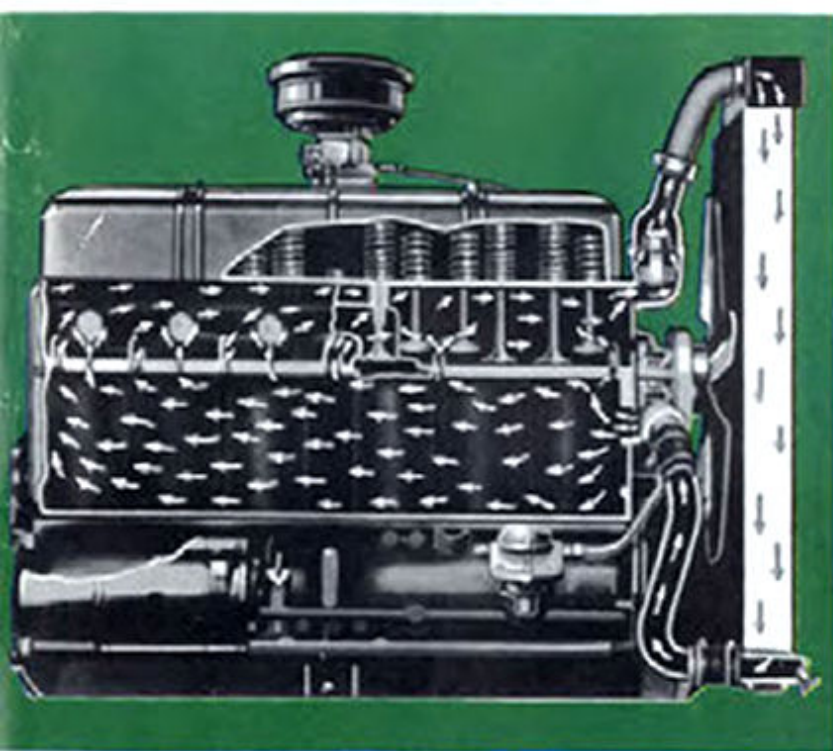
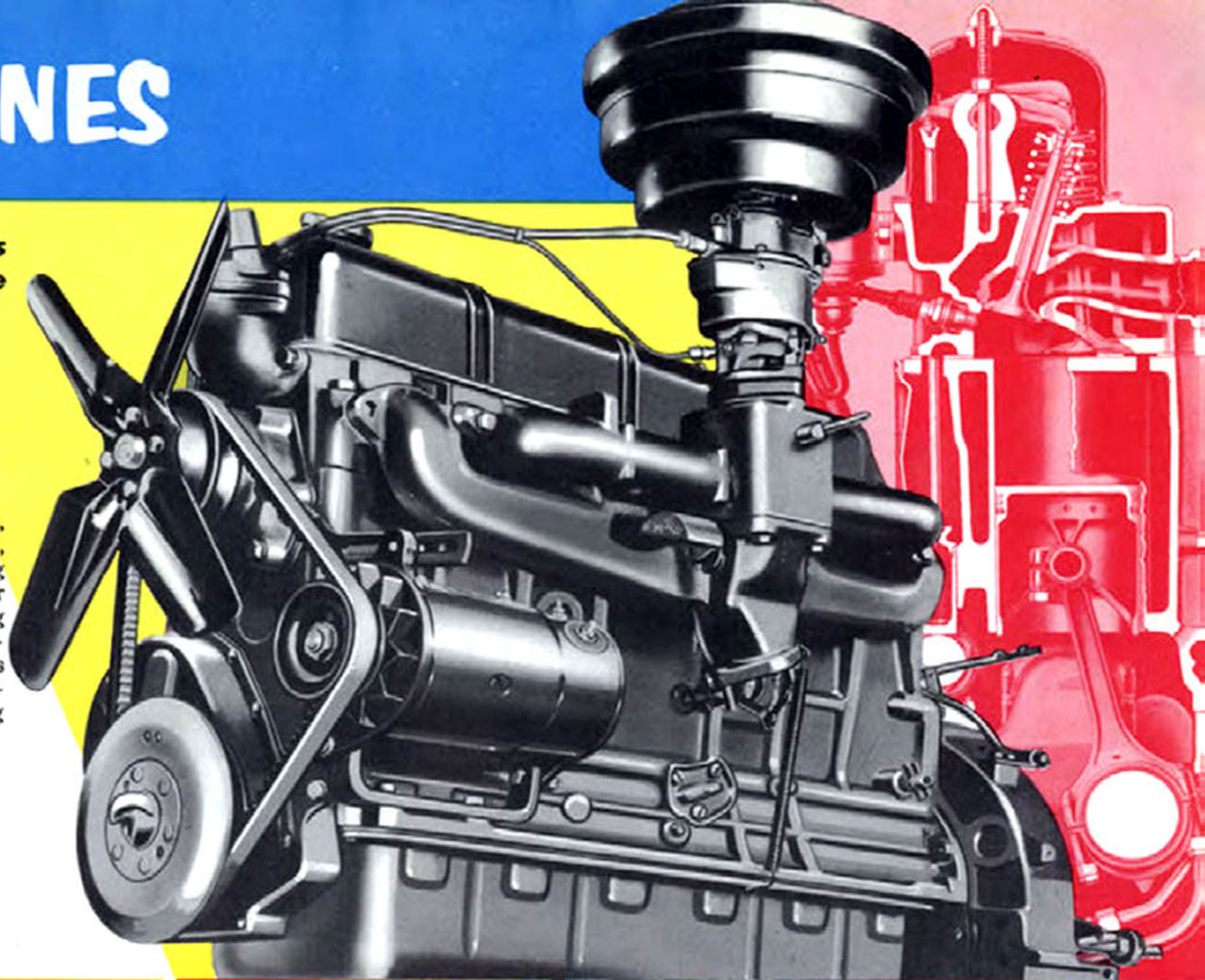
IN-HEAD ENGINES

Traditional Dependability Unites with Chevrolet's Unmatched Design Experience to Bring You the

GREATER THAN EVER LOADMASTER

**NEW 108 HORSEPOWER
NEW 7.1 to 1 COMPRESSION RATIO
NEW 200-FT.-LB. TORQUE**

Increased compression ratio provides greater economy, more horsepower and torque, resulting in higher top speed, faster acceleration for passing and improved hill climbing ability. Engineered for greater dependability and longer life, the Loadmaster engine for 1953 has many outstanding features, such as: heavier crankshaft—sturdier crankcase—stronger connecting rods—chrome plated top piston rings—revised combustion chamber—valve rotators—new ignition system—new 45-ampere generator and by-pass cooling system.



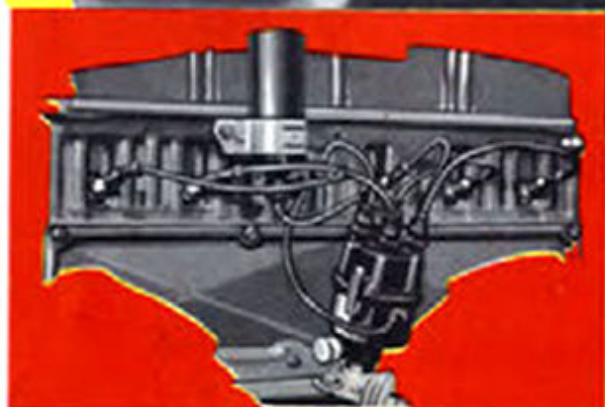
CONTROLLED COOLING

The efficient Chevrolet cooling system virtually rules out distortion of cylinders, pistons, or valves, due to overheating. Uniform cooling of the Loadmaster engine during warmup is assured by the addition of a passage that permits circulation of the water in the engine even though the thermostat is closed.



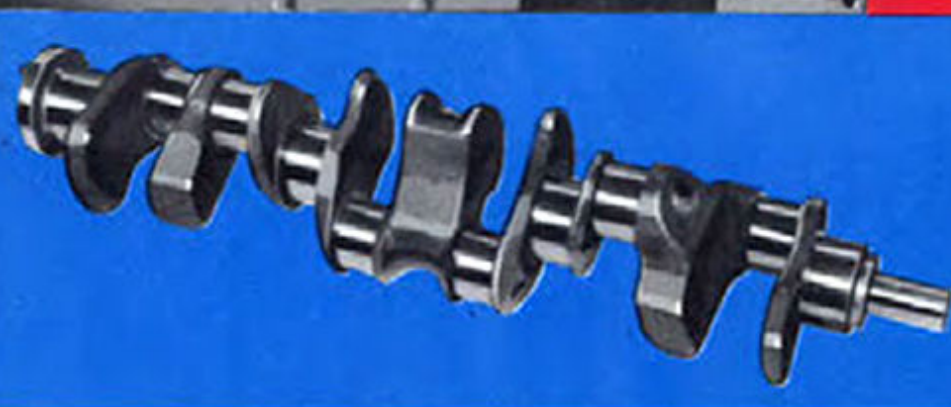
POWER-JET CARBURETION

Power-Jet carburetion and 2-way control ignition, offered in these two famous valve-in-head engines, provide the right fuel mixture with correctly timed combustion. Regardless of speed or load, the greatest usable horsepower is combined with low-cost operation.



IGNITION SYSTEM

To provide proper operation of the higher compression engine, a new ignition system includes high tower distributor cap, new breaker arm and cam and spark plug terminal covers. In addition, easier starting under all climatic conditions is achieved.



CRANKSHAFT AND CRANKCASE

The harmonically balanced heavy drop-forged crankshaft of sturdier construction, with increased counterweighting and the stronger and stiffer crankcase, minimize vibration and deflection.

CHEVROLET

*Advance-
Design*

CABS FEATURE COMFORT,



VENTIPANES

Added comfort is provided by easily adjusted ventipanes and cowl ventilator. They can be opened or closed to control the circulation of fresh air in the cab under all weather conditions.



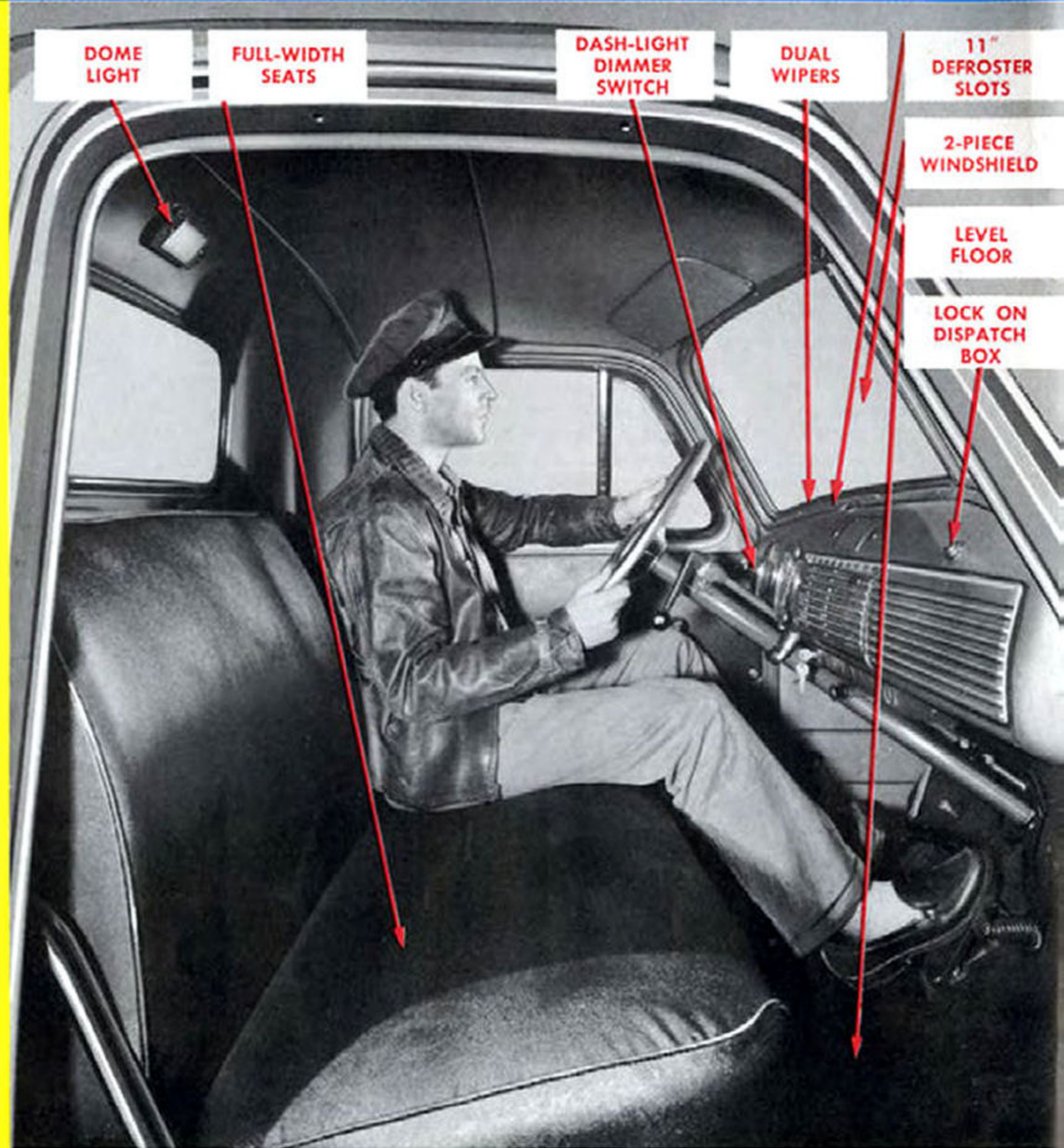
SEAT CONSTRUCTION

Maximum comfort is offered in Chevrolet truck seats with double deck springs and non-matting latex and cotton pads covered with modern, durable leatherette.

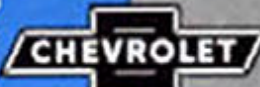


ADJUSTABLE BACK AND SEAT

Eye level vision and comfortable shoulder support are automatically provided with the finger-tip adjustable seat. As the seat moves forward it rises and the back tilts. The adjustment range is $3\frac{3}{8}$ inches.



CONVENIENCE and SAFETY



Cab-Over-Engine



BATTLESHIP CONSTRUCTION

The Advance-Design Chevrolet cab is built for safety and durability. Double steel wall construction welded into a single unit, with one piece steel roof and heavy steel floor, provide added protection for the driver. Interior insulation and lining contribute to driver comfort.



FLEXI-MOUNTED CAB AND SHEET METAL

Flexi-mounting of the unitized front end sheet metal and cab is the most effective method of absorbing chassis shock and vibration, as well as frame twist. The flexi-mounting consists of (1) rubber cushioned single mount stabilized front end; (2) rubber cushioned tension and shear mount at each front corner of the cab; (3) shackle mounts in the cab rear corners.



THREE-MAN CAB

Wide, deep and roomy, side to side, top to bottom, front to rear, with all controls located for ease of operation. That describes the roominess provided in Chevrolet cabs which are built to accommodate three people comfortably.

NEW E-Z-EYE GLASS is optional at extra cost in all windshields and windows of all models except rear panel door windows and the Sedan Delivery. It reduces glare and transmission of heat which provides greater comfort and safety for the driver.



ALL-AROUND VISION AND SAFETY

Rear corner windows, optional at extra cost, provide greater vision for the driver, especially when backing the truck at close quarters. Rubber-mounted safety glass gives the same margin of protection as the other cab windows.

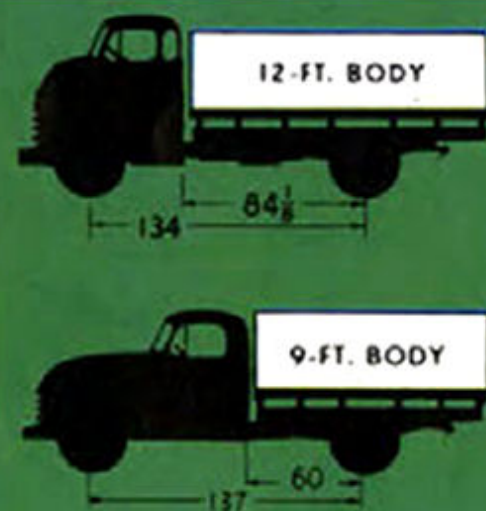


ALL-ROUND SAFETY, COMFORT AND EASE OF OPERATION

Choose Chevrolet Cab-over-Engine Models to Get These Big Six All-Star Features:

1. All-steel cab construction
2. Normal position of shift lever
3. Roomy, full-width seat cushion
4. Free, full and unrestricted leg room
5. All-round vision (rear corner windows optional at extra cost)
6. Minimum floor obstruction

Chevrolet engineers give careful attention to over-the-engine cabs. Here you'll find all the controls in easy, natural handling range, all the safety and comfort features offered in Chevrolet's conventional cabs. Cab-over-Engine trucks give more load space with less vehicle length; shorter wheelbase contributes to ease in driving and parking. Greater road visibility is an added safety factor.



CHEVROLET *Unit-Design* BODIES

BUILT IN THE WORLD'S LARGEST EXCLUSIVELY COMMERCIAL BODY PLANT



From this great Indianapolis plant come truck bodies that are Chevrolet designed and Chevrolet built to equal Chevrolet chassis in excellence. Bodies are built under an advanced method of manufacturing, known as unit-design system, which brings to truck body building unsurpassed precision of manufacture and unequalled uniformity of product, assuring highest quality at lowest cost.

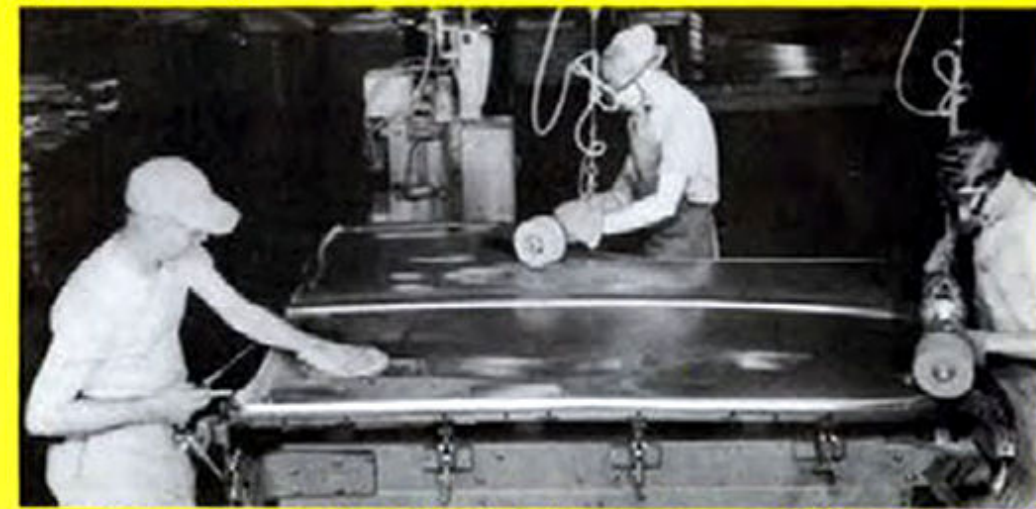


UNIT DESIGNED DOORS

Outer panels are "sewed" to door frames by automatic welding machines.



UNIT DESIGNED FLOORS In process of assembly here is the floor of large stake body. All parts are cut to exact dimension, assembled, rigidly fastened together in this specially designed fixture.

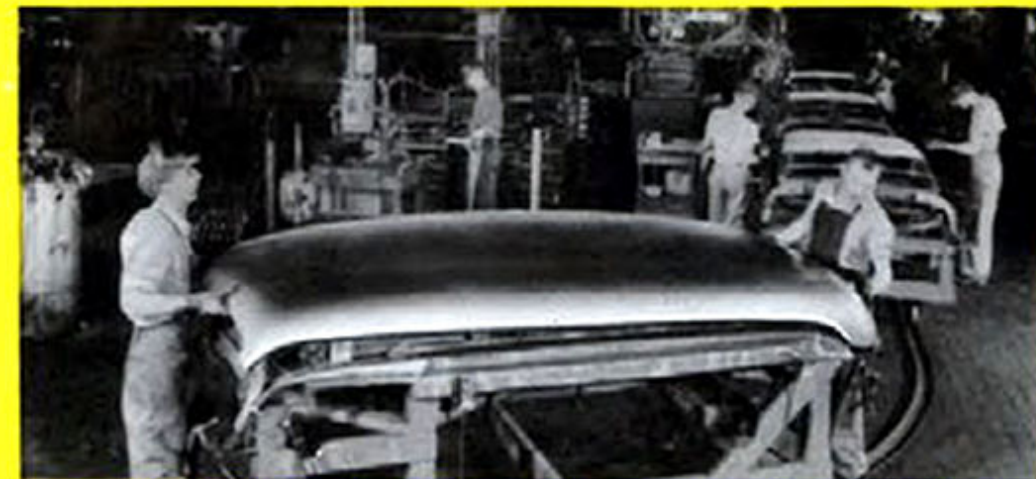
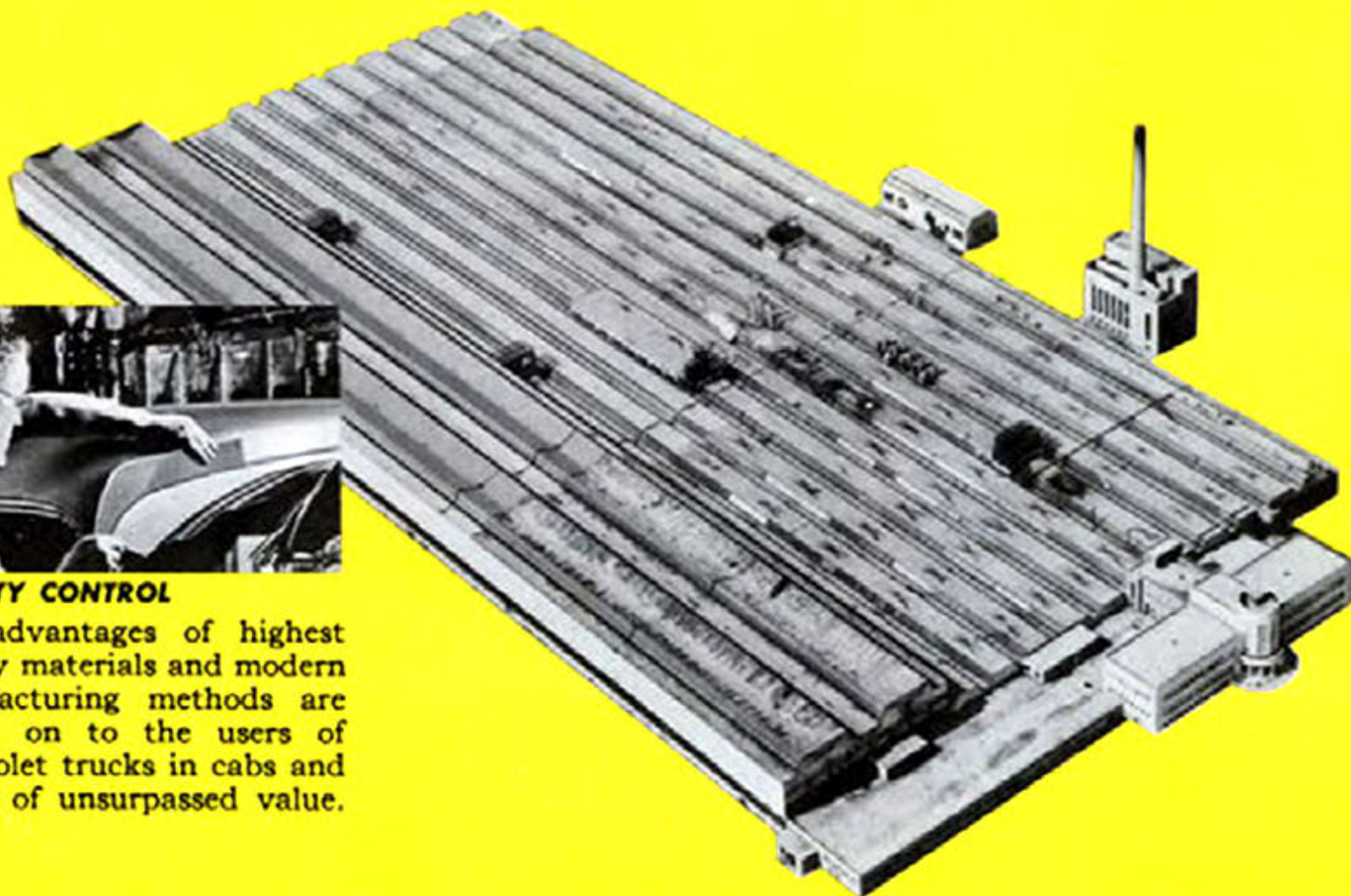


UNIT DESIGNED SIDE PANELS Surfaces are carefully inspected and ground to eliminate any irregularities. High quality finish matches high quality construction.



QUALITY CONTROL

The advantages of highest quality materials and modern manufacturing methods are passed on to the users of Chevrolet trucks in cabs and bodies of unsurpassed value.



UNIT DESIGNED ROOFS All-steel tops are assembled with steel ribs and fabric interliner to be welded into a single rugged unit.

MODERN MANUFACTURING METHODS... MASS PRODUCTION ECONOMY...

LOWER FIRST COST... GREATER LOAD PROTECTION... MAXIMUM DRIVER CONVENIENCE



MAN-SIZED DOOR OPENINGS

DRIP MOULDINGS

DOOR CHECKS

RUGGED STEEL SIDE SUPPORTS

EASY ENTRANCE AND EXIT

WELDED CONSTRUCTION

STURDY STEEL ROOF BOWS

SMOOTH LONG-WEARING FLOOR

SWINGING SIDE GATE

SEAT BACK PROTECTED BY STEEL PANEL

INSULATED TOP AND SIDES

STEEL SKID STRIPS

CONVENIENT DOOR LATCH

WOOD STAKES NO RUSTING OR BENDING

ONE-PIECE RUNNING BOARD

STAKE POCKETS FOR EXTENDED SIDES

UNIFORM WIDTH FLOOR BOARDS

FLUSH-TYPE SKID STRIPS OVER EXPANSION JOINTS

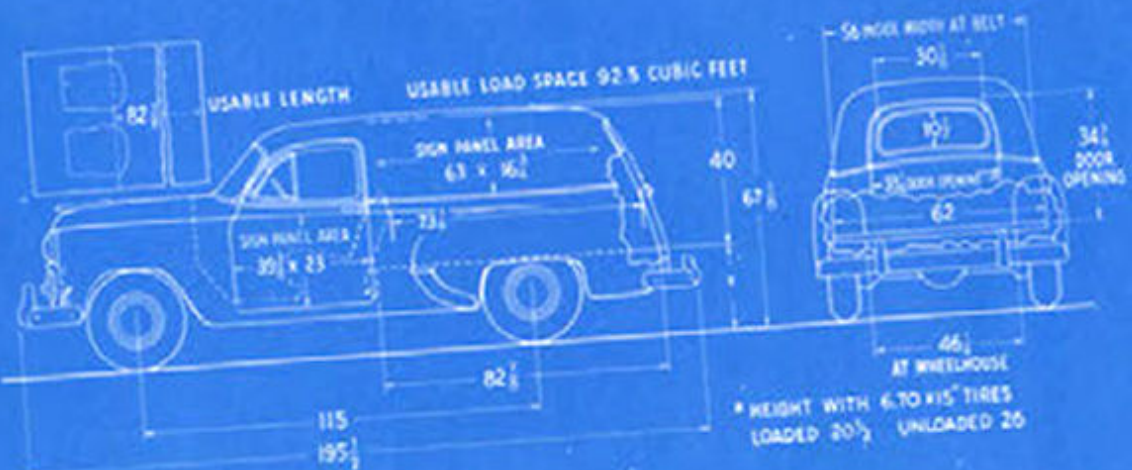
STURDY RIGID END GATE WILL HOLD 200-LB. WEIGHT EVEN WHEN SUPPORTED AT ONLY ONE END

STEEL RUB RAIL

LOCKED REAR STAKE SECTIONS

CHEVROLET-BUILT BODIES FOR CHEVROLET TRUCKS

LIGHT-DUTY Models



MODEL 1508 SEDAN DELIVERY 115" WHEELBASE, MAXIMUM G.V.W. 4100 LB.

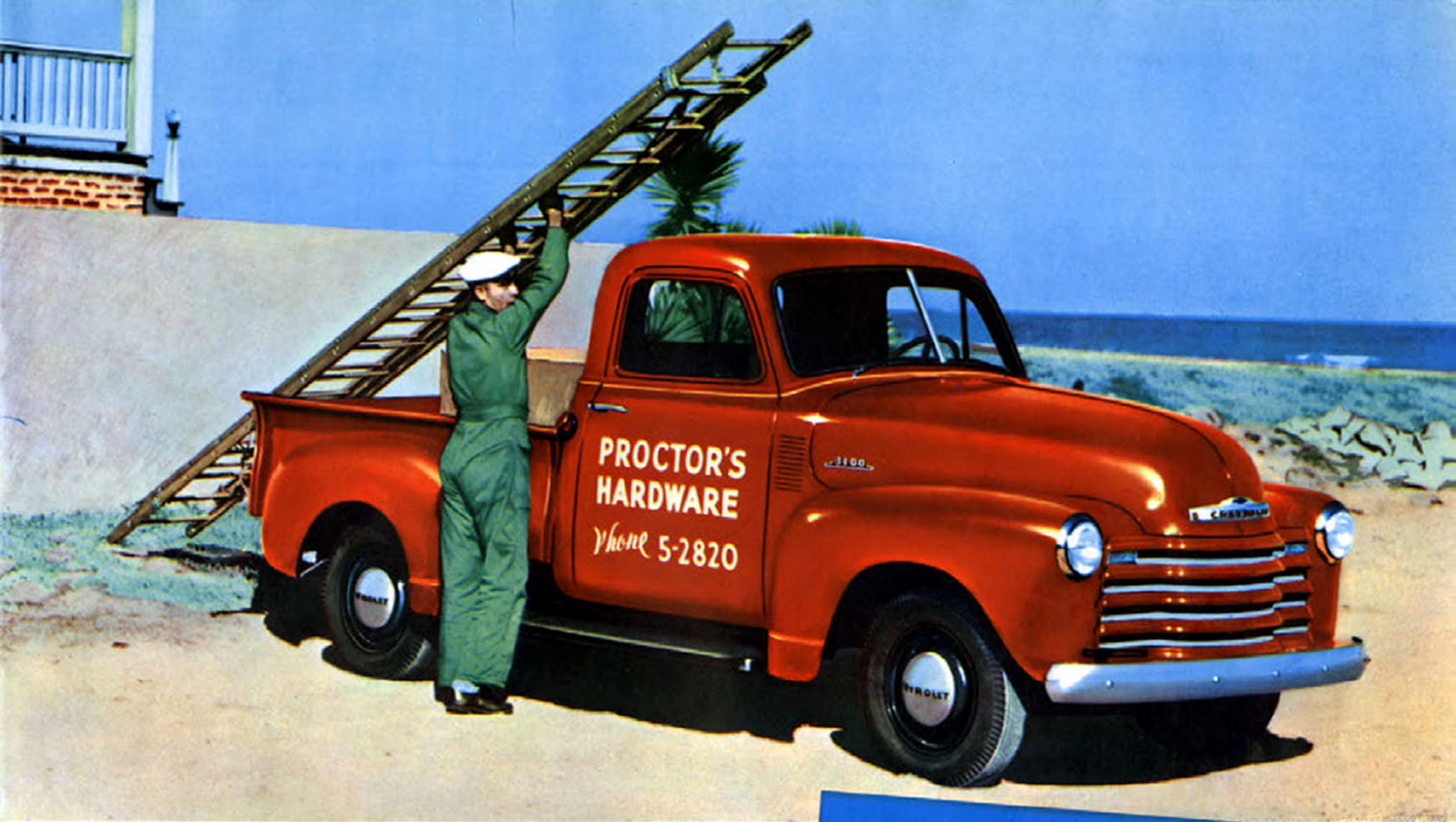
Brilliant new styling of the Body by Fisher makes this *the* standout sedan delivery of 1953. Using the passenger car chassis, this model is ideal for transporting lightweight merchandise quickly and economically. As attractive as it is useful, it is a valuable advertisement contributing importantly to business prestige.

STANDARD EQUIPMENT

Knee-Action front suspension • Steering column gearshift • Three-speed Synchro-Mesh transmission • Rear axle ratio, 4.11:1 • Tires, 6.70-15, 4-ply rating • Direct double-acting shock absorbers, front and rear • Thriftmaster engine • Bumpers, front and rear • Ignition key starting • 45-amp. generator.

OPTIONAL EQUIPMENT

Heavy-duty three-speed Synchro-Mesh transmission • Tires, maximum, 6.70-15, 6-ply rating • Heavy-duty clutch, 10 3/4-in. diameter • Truck type oil-bath air cleaner • Heavy-duty rear springs • Governor • 8 Passenger car colors • 45-amp. generator • 50-amp. generator.



MODEL 3104 PICKUP 116" WHEELBASE, MAXIMUM G.V.W. 4800 LB.

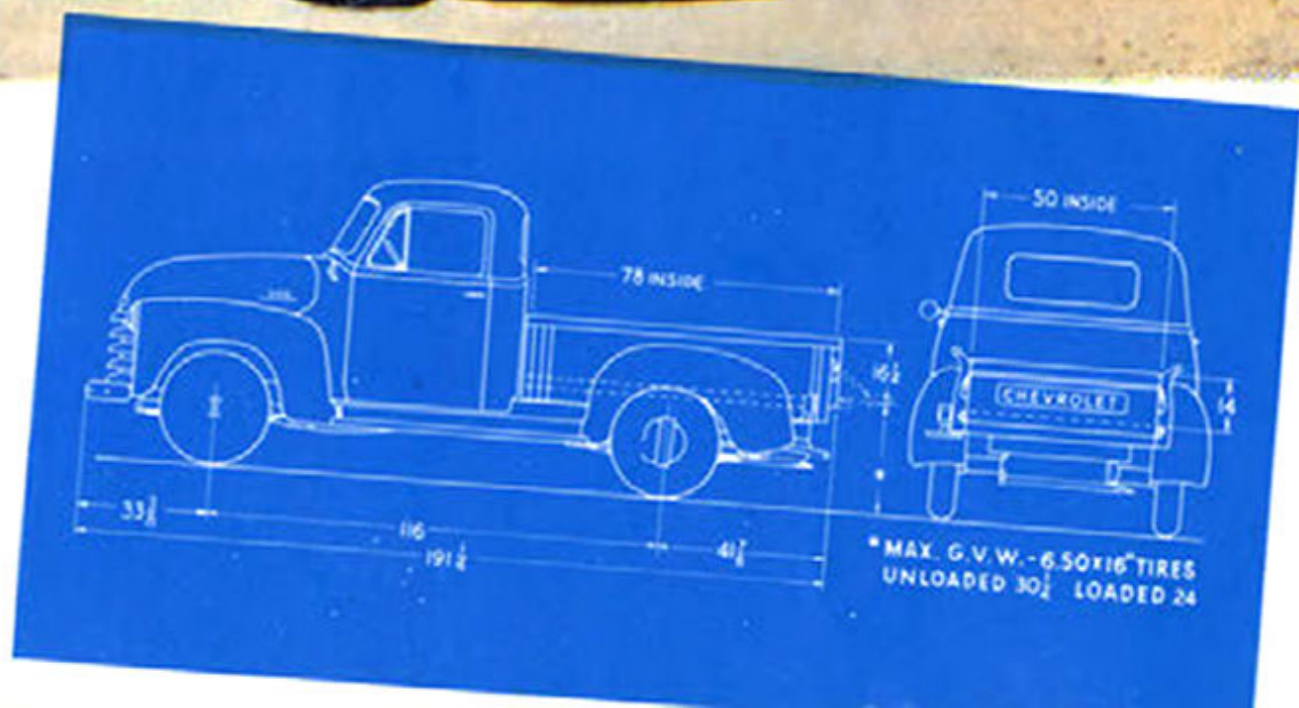
This model is most popular for a wide variety of uses. It has approximately 27 square feet of smooth, usable floor space unobstructed by wheel houses. High quality wood floor with flush steel skid strips is practical and long-wearing. Four stake pockets permit quick installation of high sides or canopy top. The sturdy non-sagging tail gate can be leveled to support the load or dropped to a vertical position to facilitate loading or unloading.

STANDARD EQUIPMENT

Ventipanes • Right-hand push-button door lock • Thriftmaster engine • Dual windshield wipers • Clutch 9 $\frac{1}{8}$ -in. diameter • Three-speed Synchro-Mesh transmission • Tires, 6.00-16, 6-ply rating • Direct double-acting shock absorbers, front and rear • Steering column gearshift • Foot-operated parking brake • Front bumper • 45-amp. generator.

OPTIONAL EQUIPMENT

Side-mounted tire carrier • E-Z-Eye Glass • Tires, maximum, 15", 6-ply rating • 45-, 50- and 55-amp. generator • Left-hand push-button door lock • Oil-bath air cleaner • Heavy-duty clutch, 10 $\frac{3}{4}$ -in. diameter • Four-speed Synchro-Mesh transmission • 9-leaf rear springs • Rear corner windows • Governor • Rear shock absorber shields.





MODEL 3107 CANOPY EXPRESS 116" W.B., MAX. G.V.W. 4800 LB.
Over-all dimensions are similar to those of 3105, Panel



MODEL 3105 PANEL 116" WHEELBASE, MAXIMUM G.V.W. 4800 LB.

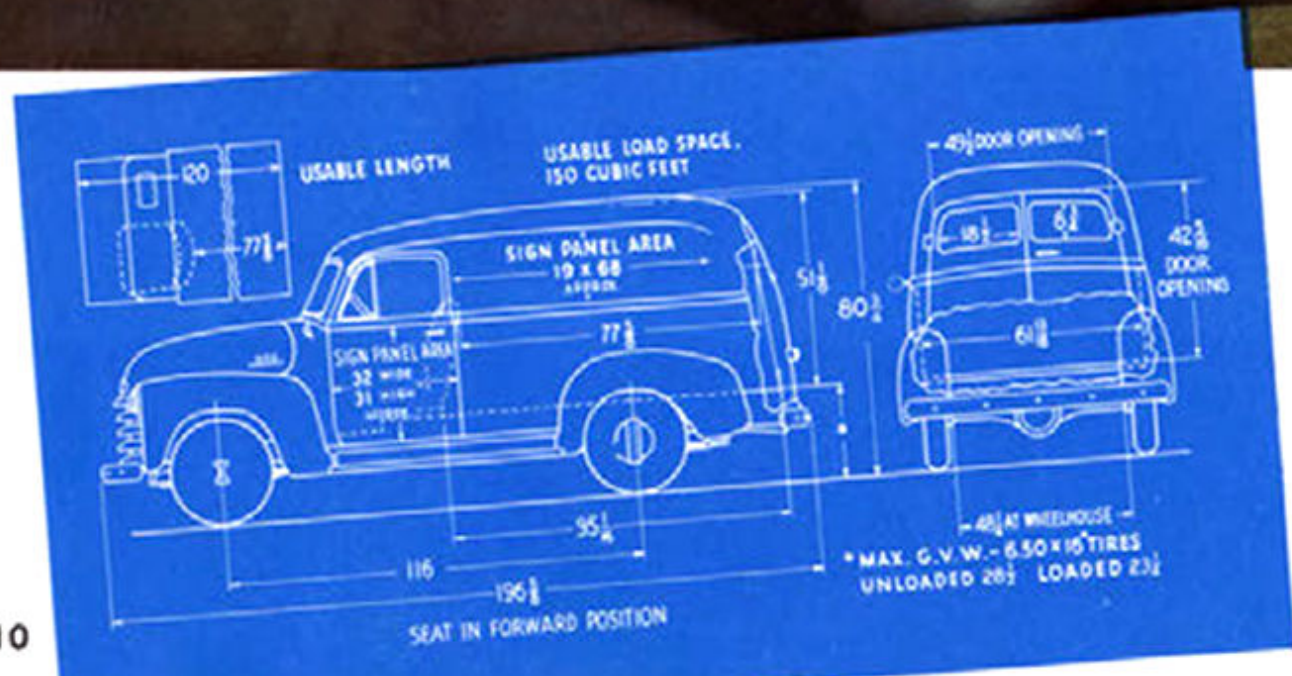
A practical, convenient closed body truck where load protection is paramount. The all-steel body, with insulated sides and top combined with the tightly sealed sturdy plywood floor with steel skid strips, offers unmatched merchandise protection. Large rear doors open to 90° or 180°; facilitate loading and unloading. Steering column gearshift and foot-operated parking brake eliminate floor obstructions, permitting easy entrance and exit.

STANDARD EQUIPMENT

Ventipanes • Right-hand push-button door lock • Thriftmaster engine • Three-speed Synchro-Mesh transmission • Gearshift on steering column • Foot-operated parking brake • Tires, 6.00-16, 6-ply rating • Front and rear bumpers • Ride stabilizer, 3105 only • Direct double-acting shock absorbers, front and rear • Dual windshield wipers • 45-amp. generator.

OPTIONAL EQUIPMENT

E-Z-Eye Glass except rear-door windows • Left-hand push-button door lock • Oil-bath air cleaner • Tires maximum, 15", 6-ply rating • Auxiliary seat • Choice of 12 colors • Four-speed Synchro-Mesh transmission • Governor • Heavy-duty clutch, 10 3/4-in. diameter • 45-, 50- or 55-amp. generator.





MODELS 3106 AND 3116 CARRYALL SUBURBAN 116" W.B., MAX. G.V.W. 4800 LB.

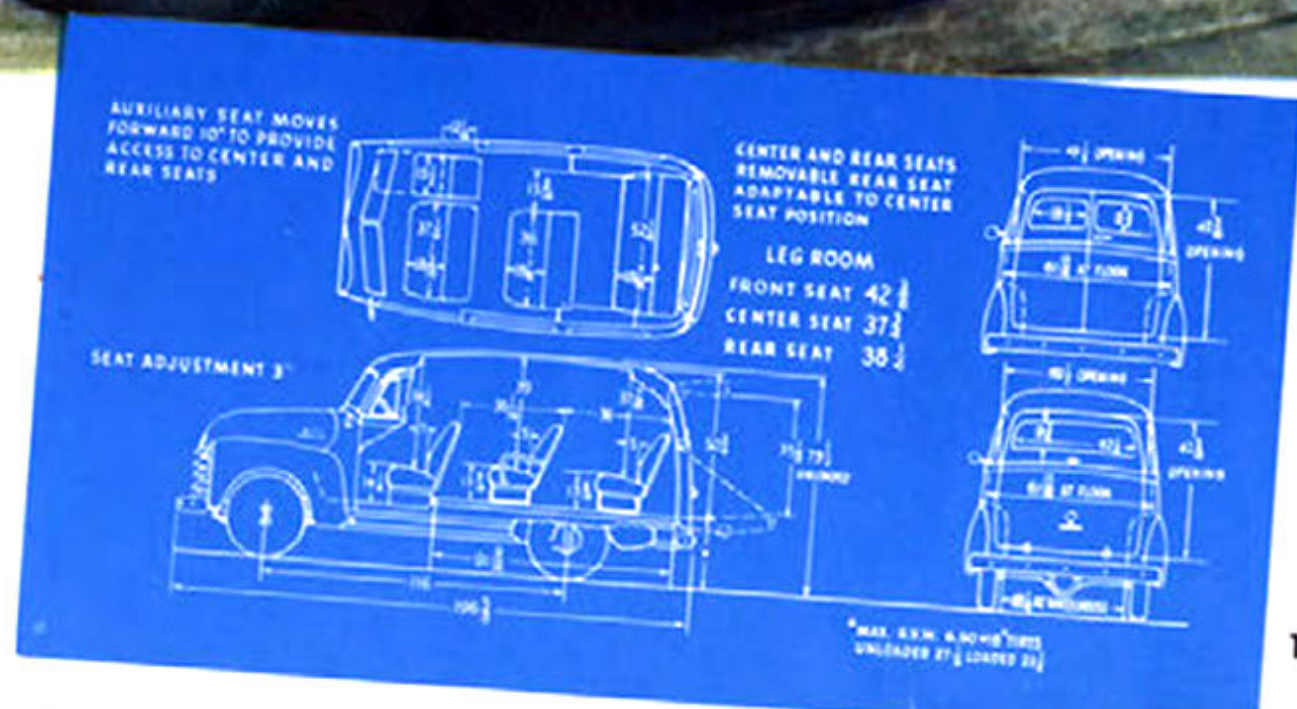
The flexibility of the Carryall Suburban makes it adaptable to many uses. Built with comfortable seating capacity for eight passengers, it can be quickly converted for handling equipment or supplies by removing one or both rear seats. Rear panel doors are available on the Model 3106—tail gate and upper lift gate on Model 3116. Front and rear double-acting shock absorbers and a ride stabilizer contribute to smooth riding qualities.

STANDARD EQUIPMENT

Right-hand push-button door lock • Ventipanes in side door windows • Thriftmaster engine • Standard air cleaner • Clutch 9 $\frac{1}{4}$ -in. diameter • Three-speed Synchro-Mesh transmission • Tires, 6.00-16, 6-ply rating • Steering column gearshift • Foot-operated parking brake • Front and rear bumpers • 45-amp. generator.

OPTIONAL EQUIPMENT

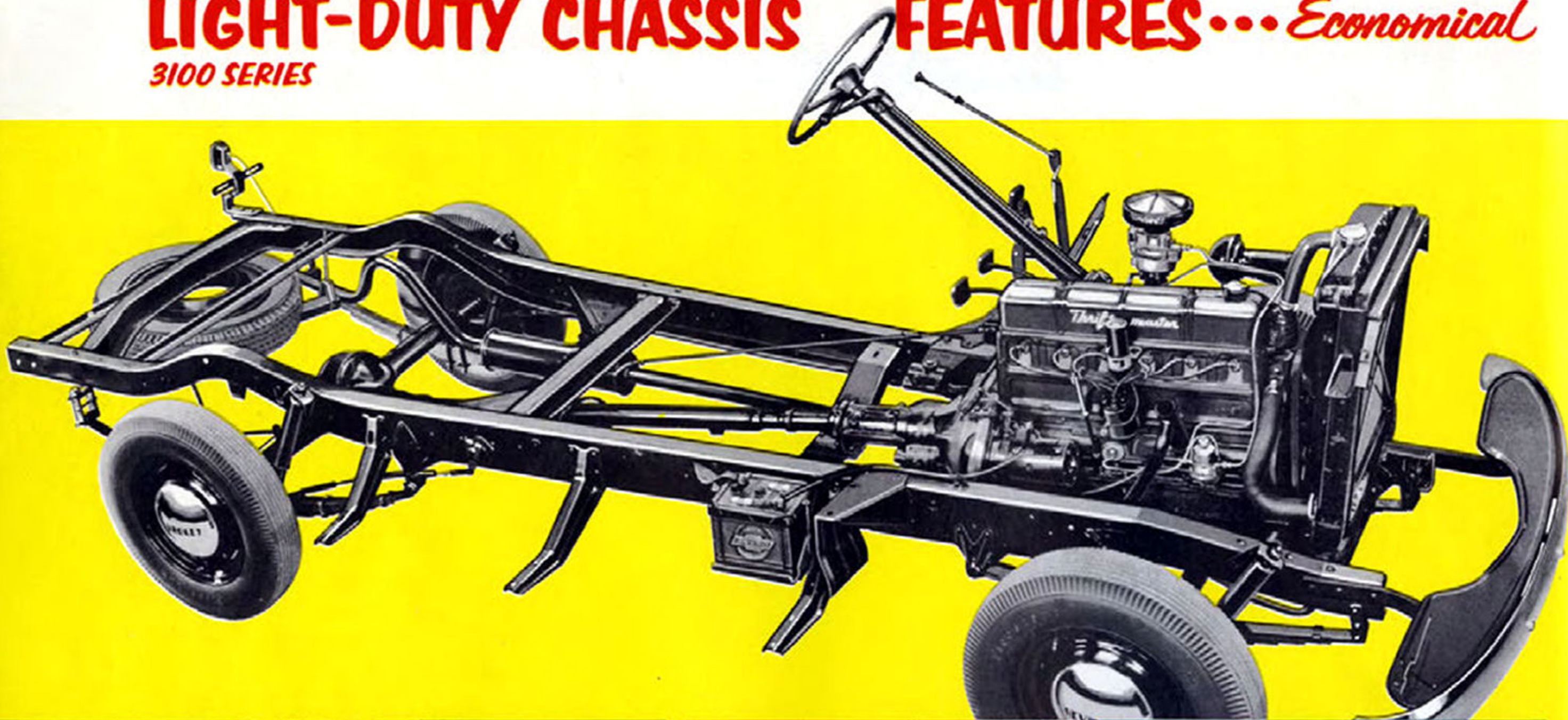
E-Z-Eye Glass • Choice of 12 colors • Left-hand push-button door lock • Oil-bath air cleaner • Heavy-duty clutch, 10 $\frac{3}{4}$ -in. diameter • Four-speed Synchro-Mesh transmission • 15", 6-ply rating tires • Governor • 45-, 50- or 55-amp. generator.



LIGHT-DUTY CHASSIS

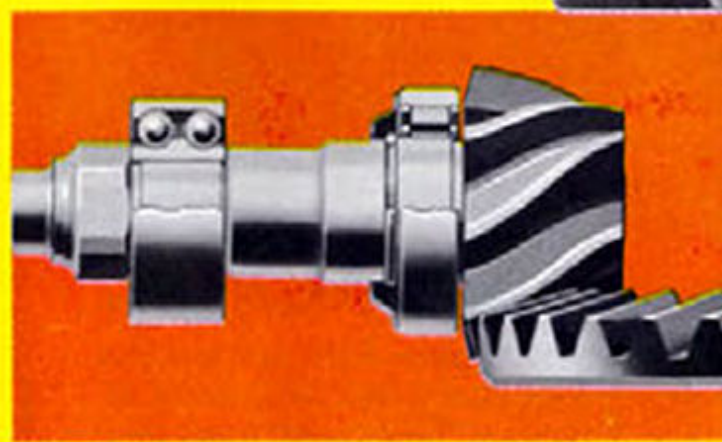
3100 SERIES

FEATURES... *Economical*



HYPOID REAR AXLE

Chevrolet semi-floating design and single unit housing with hypoid ring and pinion gear offer the advantages of more durable construction—greater strength—less maintenance.



NEW PINION BEARING

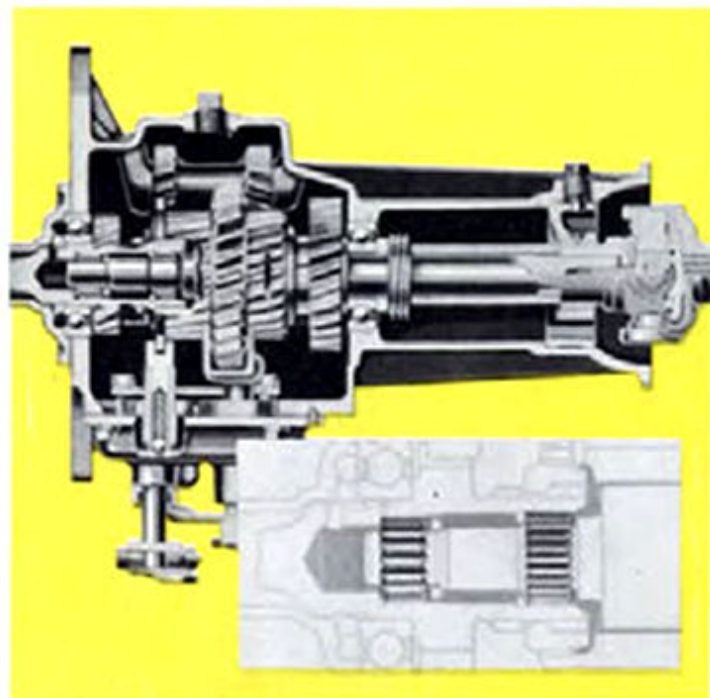
A new, improved double row ball thrust bearing has greater carrying capacity, longer life and increased self-aligning ability.



DURABLE FRONT AXLE

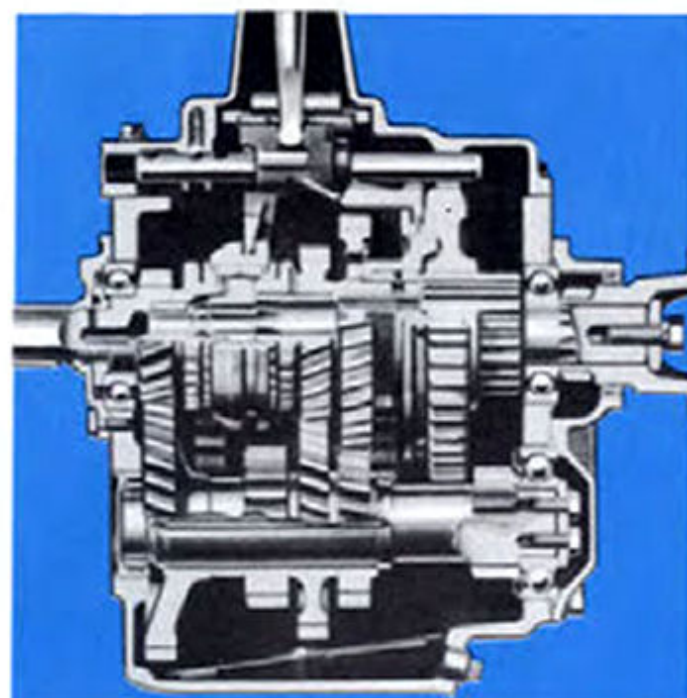
The I-beam type front axle of 2200-pound capacity is built to withstand road shock and carry maximum loads. Durable spindles provide maximum safety at this vital point.

Transportation **FOR PAYLOADS UP TO 1500 POUNDS**



3-SPEED TRANSMISSION

Positive action 3-speed transmission. New *double* row pilot roller bearing gives added stability to the main shaft.



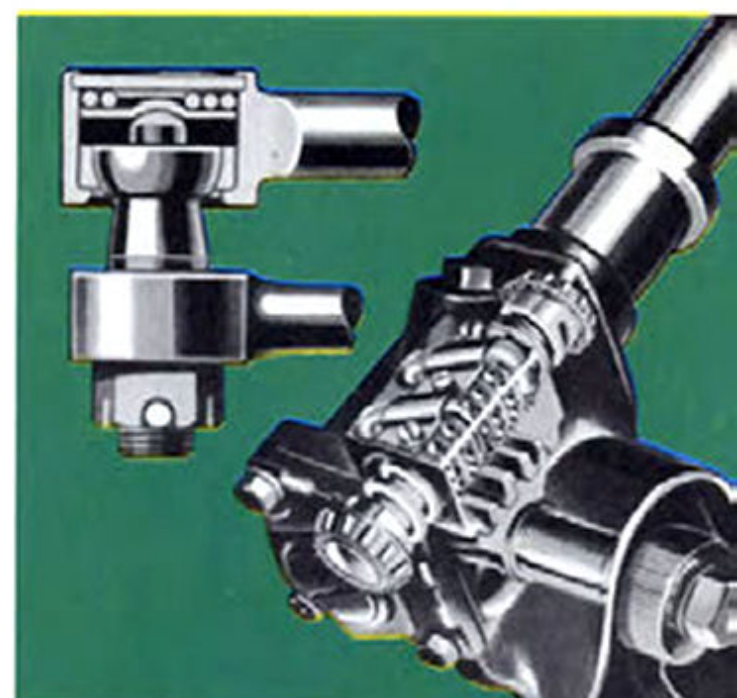
4-SPEED TRANSMISSION

4-Speed Synchro-Mesh transmission—available at extra cost—permits quick, safe shifting. Wide-face helical gears substantially reduce tooth pressure loads—contribute to quiet operation and long life.



TORQUE-ACTION BRAKES

Torque design utilizes the turning action of brake drum. Better control and greater braking effectiveness, quick heat dissipation, and better protection against dirt and moisture are provided for safe, positive stops. Bonded lining eliminates rivet scoring of drums.



BALL GEAR STEERING

Easier steering and longer gear life is made possible by ball-gear design which reduces friction to a minimum. More durable steering connecting rod ends provide greater safety.

STEERING COLUMN GEARSHIFT FOOT-OPERATED PARKING BRAKE

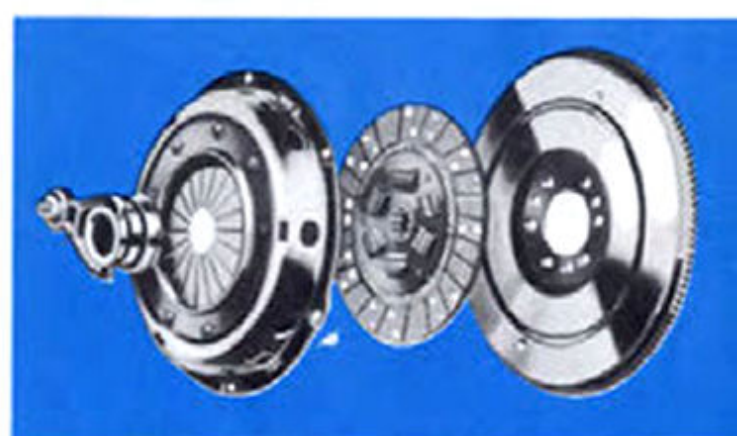


GEARSHIFT CONTROL LOCATED ON FLOOR



DIRECT DOUBLE-ACTING SHOCK ABSORBERS

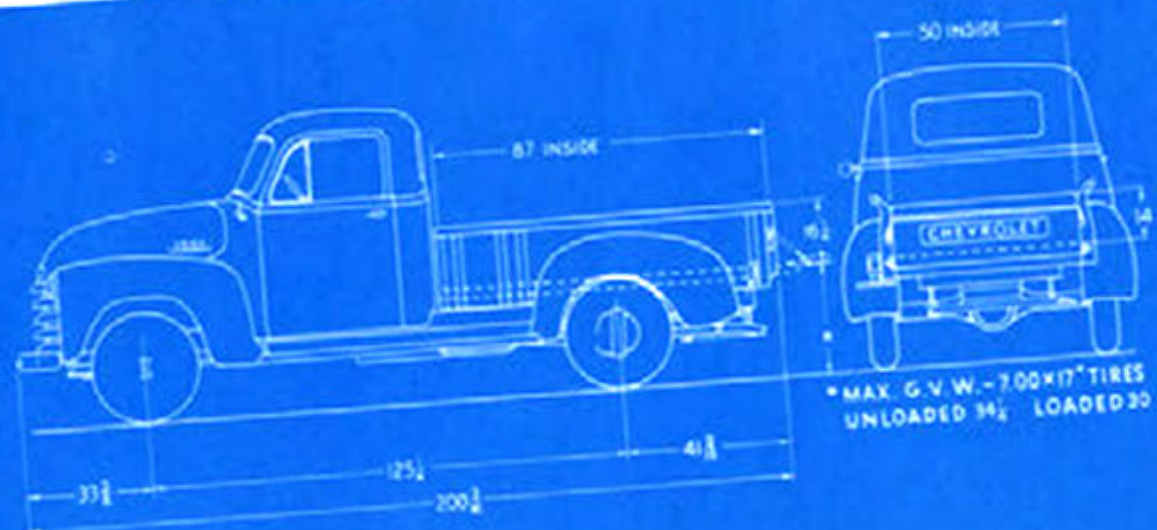
These shock absorbers—mounted front and rear contribute to the smooth, comfortable riding qualities of 3100 Series models. The direct double-acting shock absorbers need no maintenance . . . they're sealed for life.



DIAPHRAGM SPRING CLUTCH

Ease of operation through reduced pedal pressure, simplified construction and fewer operating parts are notable features of Chevrolet's popular diaphragm-spring clutch. Throwout bearing and pilot bearing have sealed-in lubrication.

MEDIUM-DUTY Models



MODEL 3604 PICKUP 125 $\frac{1}{4}$ " WHEELBASE, MAXIMUM G.V.W. 5800 LB.

The $\frac{3}{4}$ ton Pickup combines dependability and utility at low cost. For convenient loading and unloading the large pickup box 87" long, 50" wide and 16 $\frac{1}{4}$ " high, is unobstructed by wheel houses. Six built-in stake pockets simplify the addition of stake racks or canopy top.

STANDARD EQUIPMENT

Ventipanes • Thriftmaster engine • Front bumper • Clutch, 10 $\frac{3}{4}$ -in. diameter • Three-speed Synchro-Mesh transmission • Tires, 15-inch, 6-ply rating • Direct double-acting shock absorbers, front and rear • Fuel tank, 17 $\frac{1}{2}$ gallons • Foot-operated parking brake • Right-hand push-button door lock • Torque-action brakes • 45-amp. generator.

OPTIONAL EQUIPMENT

E-Z-Eye Glass • Side mounted tire carrier • Oil-bath air cleaner • Heavy-duty cooling system, capacity 16 quarts • Four-speed Synchro-Mesh transmission • Tires, maximum, 7.50-17, 8-ply rating, with wide-base wheels • Rear corner windows • Rear axle ratio, 5.14:1 • Left-hand push-button door lock • Rear bumper • 45-, 50- or 55- amp. generator.



MODEL 3609 STAKE 125 $\frac{1}{4}$ " WHEELBASE, MAXIMUM G.V.W. 5800 LB.

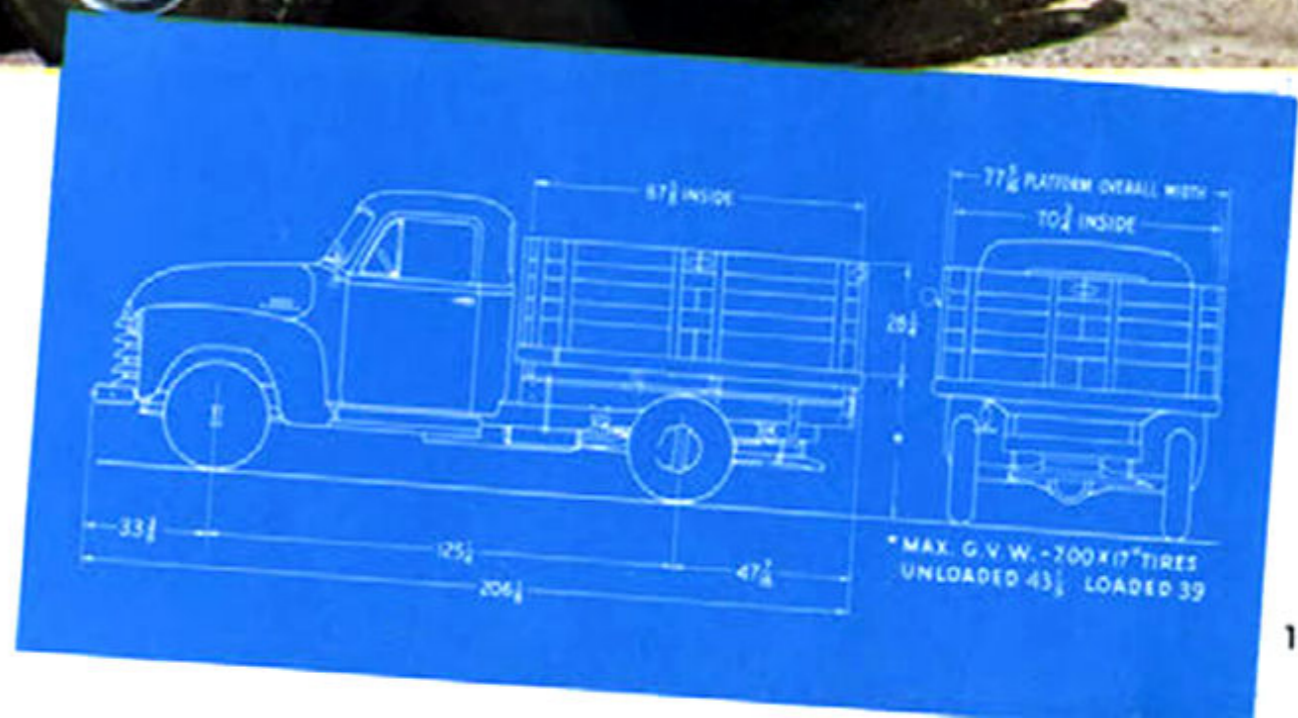
Specially adaptable for bulky merchandise handling, this roomy stake body may be loaded from both sides or rear. Interlocking stake sides are firmly supported by reinforced steel pockets built into the rub rail. Approximately 43 sq. ft. of durable hardwood floor space is reinforced with steel skid strips. Foot-operated parking brake; torque action brakes, front and rear, and Chevrolet's large 3-man cab add driver comfort and safety to its utility.

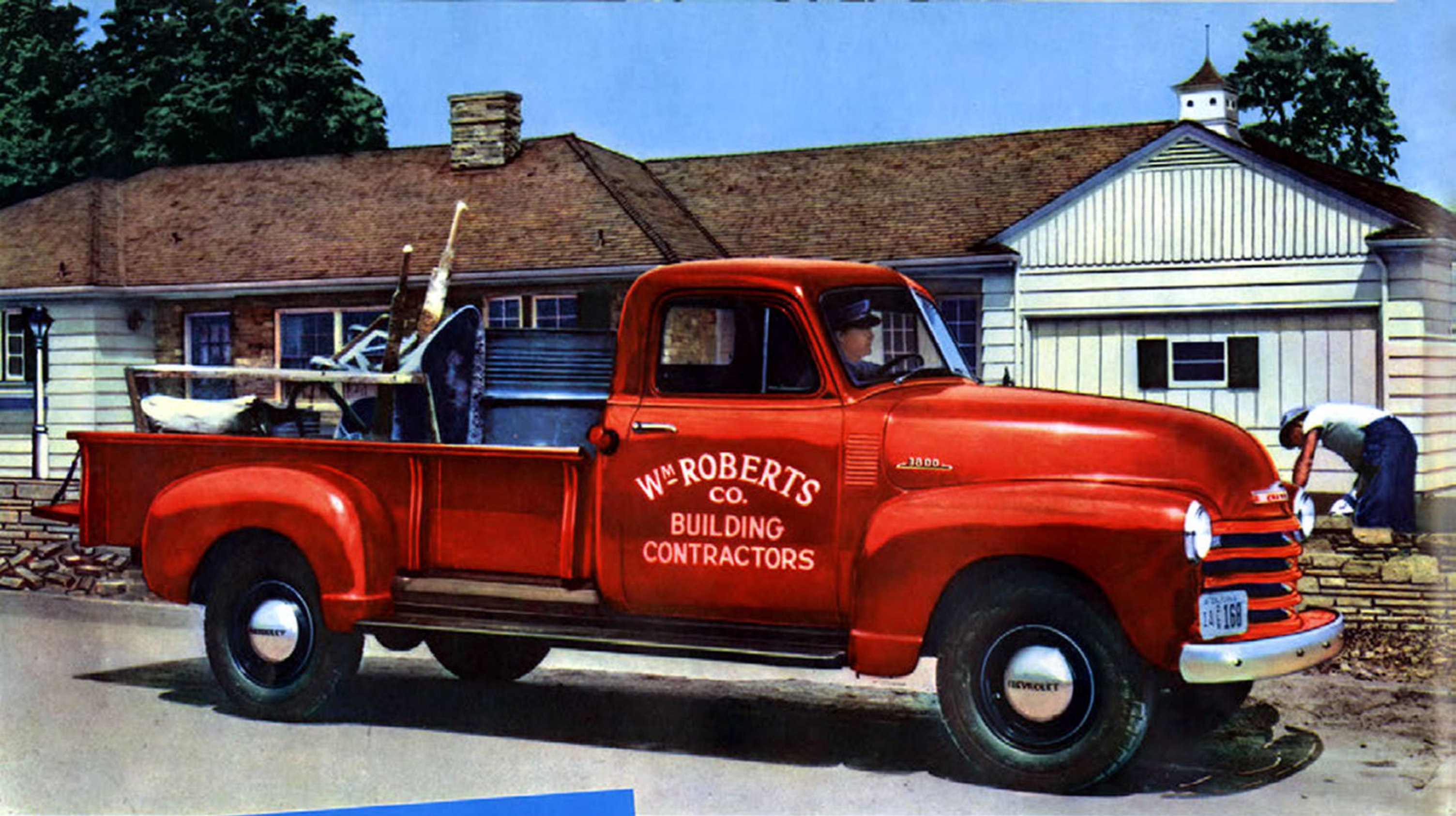
STANDARD EQUIPMENT

Ventipanes • Thriftmaster engine • Standard air cleaner • Cooling system capacity, 15 quarts • Three-speed Synchro-Mesh transmission • Tires, 15-inch, 6-ply rating • Direct double-acting shock absorbers, front and rear • Fuel tank, 17 $\frac{1}{2}$ gallons • Heavy-duty clutch, 10 $\frac{3}{4}$ -in. diameter • Right-hand push-button door lock • 45-amp. generator.

OPTIONAL EQUIPMENT

E-Z-Eye Glass • Oil-bath air cleaner • Heavy-duty cooling system, capacity 16 quarts • Four-speed Synchro-Mesh transmission • Tires, maximum, 7.50-17, 8-ply rating • Governor • Rear corner windows • Rear axle ratio, 5.14:1 • Left-hand push-button door lock • 45-, 50- or 55-amp. generator.





MODEL 3804 PICKUP 137" WHEELBASE, MAXIMUM G.V.W. 7000 LB.

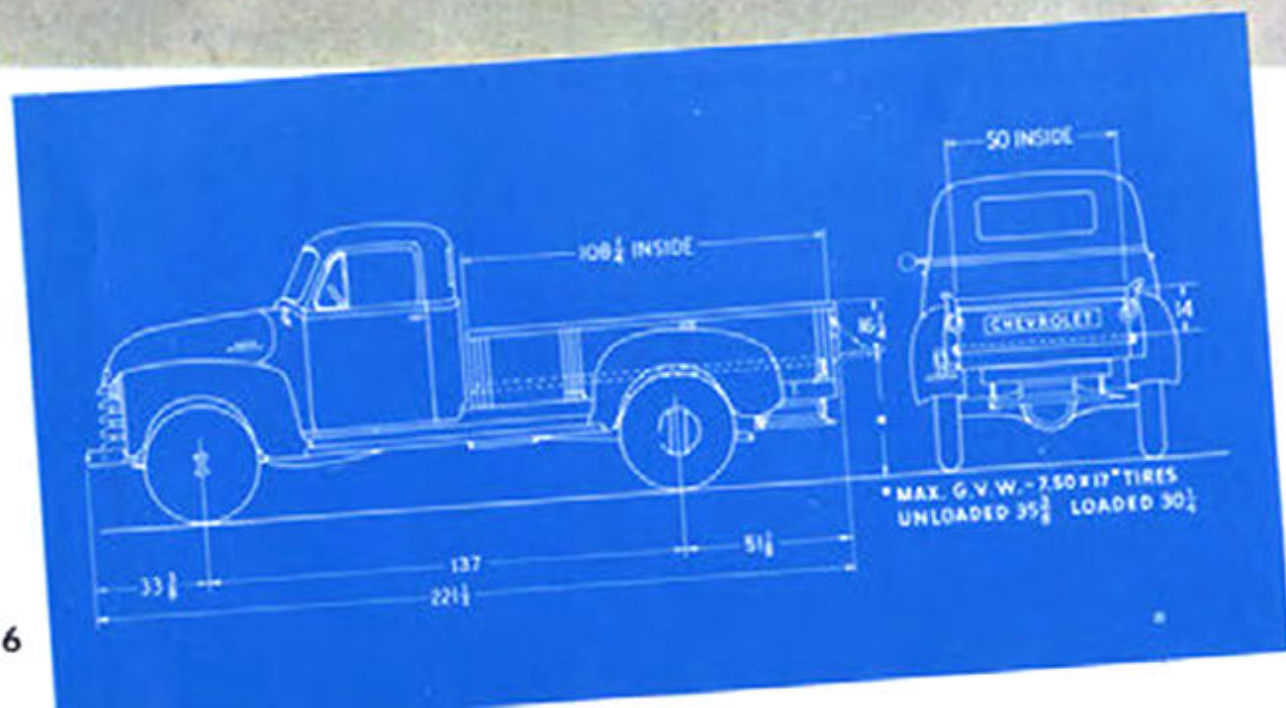
Designed to carry up to 2900 lb. payload, equipped with the powerful but "budget-minded" Thriftmaster engine—new torque action brakes and Synchro-Mesh 4-speed transmission, this model meets the requirements of many truck users. Conversion to stake body or canopy roof may be easily accomplished by using the eight conveniently located stake pockets.

STANDARD EQUIPMENT

Ventipanes • Right-hand push-button door lock • Thriftmaster engine • Heavy-duty clutch, 10 $\frac{3}{4}$ " • Cooling system capacity, 15 quarts • Four-speed Synchro-Mesh transmission • Tires, 7.00-17, 6-ply rating front, 8-ply rating rear • Direct double-acting front shock absorbers • Foot-operated parking brake • 45-amp. generator.

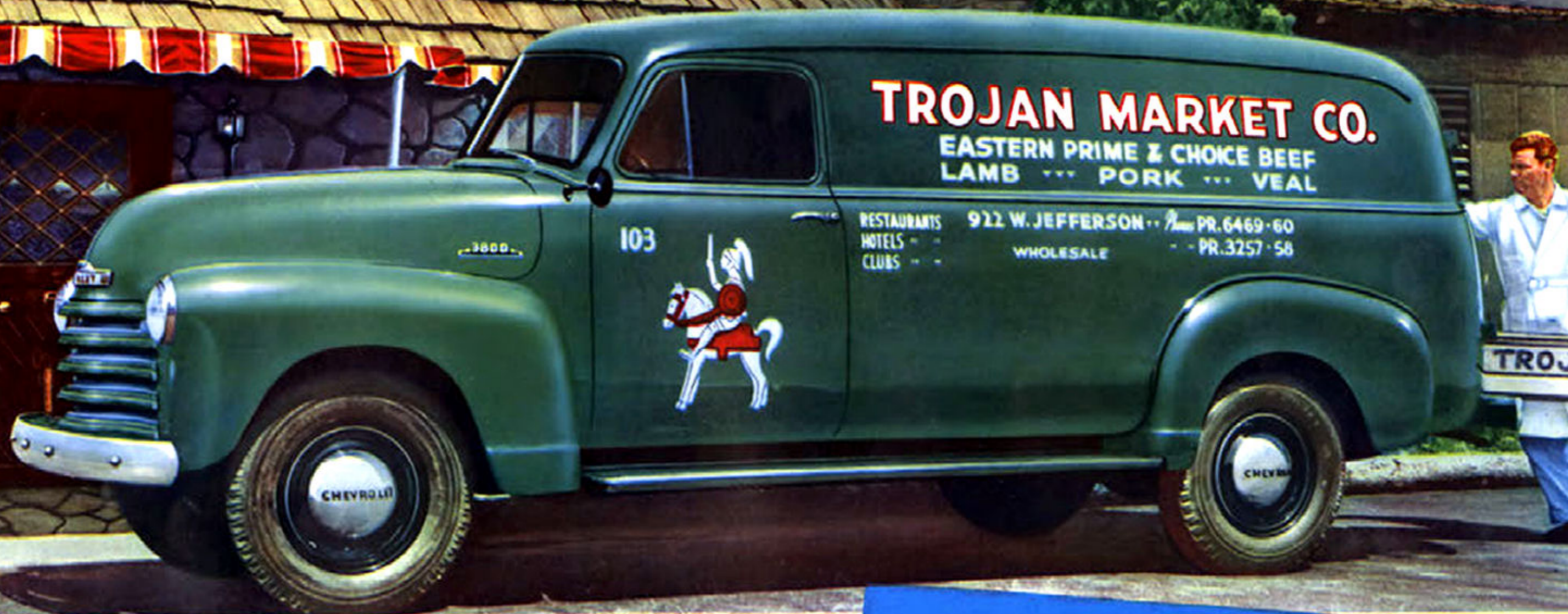
OPTIONAL EQUIPMENT

E-Z-Eye Glass • Rear corner windows • Side-mounted tire carrier • Left-hand push-button door lock • Oil-bath air cleaner • Heavy-duty cooling system, capacity 16 quarts • Tires, maximum, 7.50-17, 8-ply rating • Direct double-acting rear shock absorbers • Auxiliary rear springs • Governor • 45-, 50- or 55-amp. generator.





MODEL 3807 CANOPY EXPRESS 137" W.B., MAX. G.V.W. 7000 LB.
Over-all dimensions are similar to those of 3805, Panel



MODEL 3805 PANEL 137" WHEELBASE, MAXIMUM G.V.W. 7000 LB.

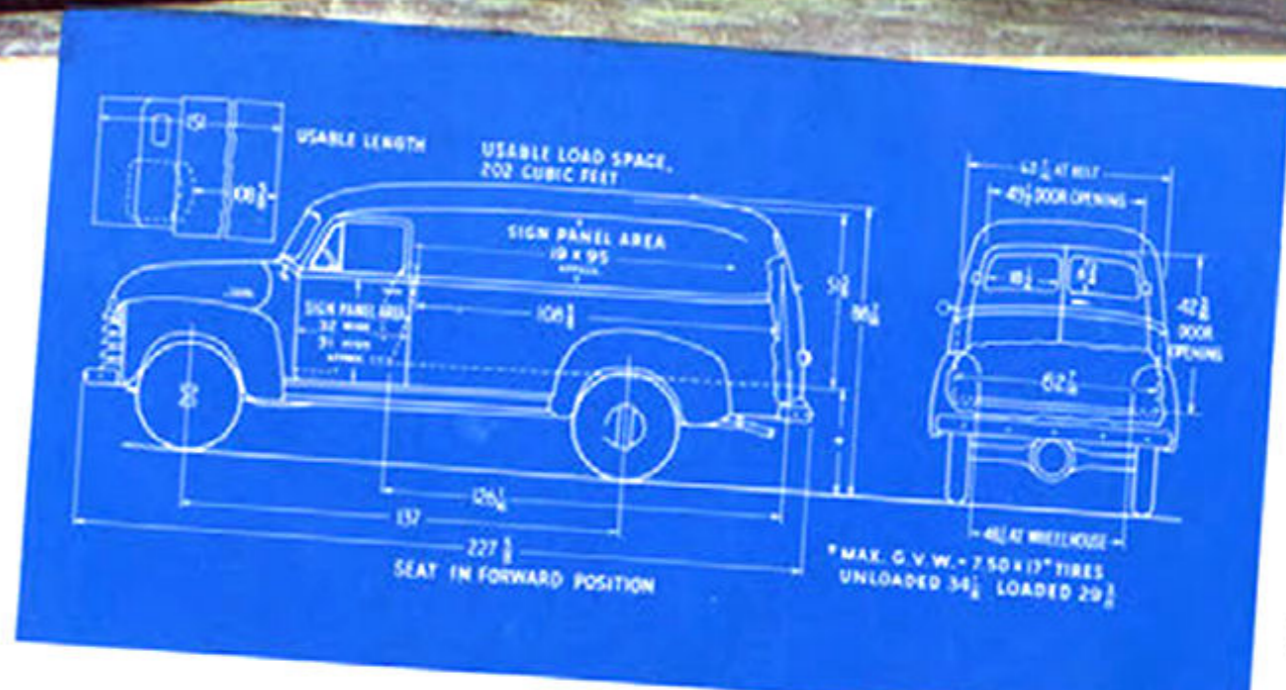
For long, bulky loads that require all-weather protection this model provides the ideal answer. Load space length is 151" maximum while bulk capacity is 202 cu. ft. The all-steel body with insulated sides and top combined with the tightly sealed sturdy plywood floor with steel skid strips provides complete merchandise protection. Large rear doors opening to 90° or 180° simplify curbside or dock loading.

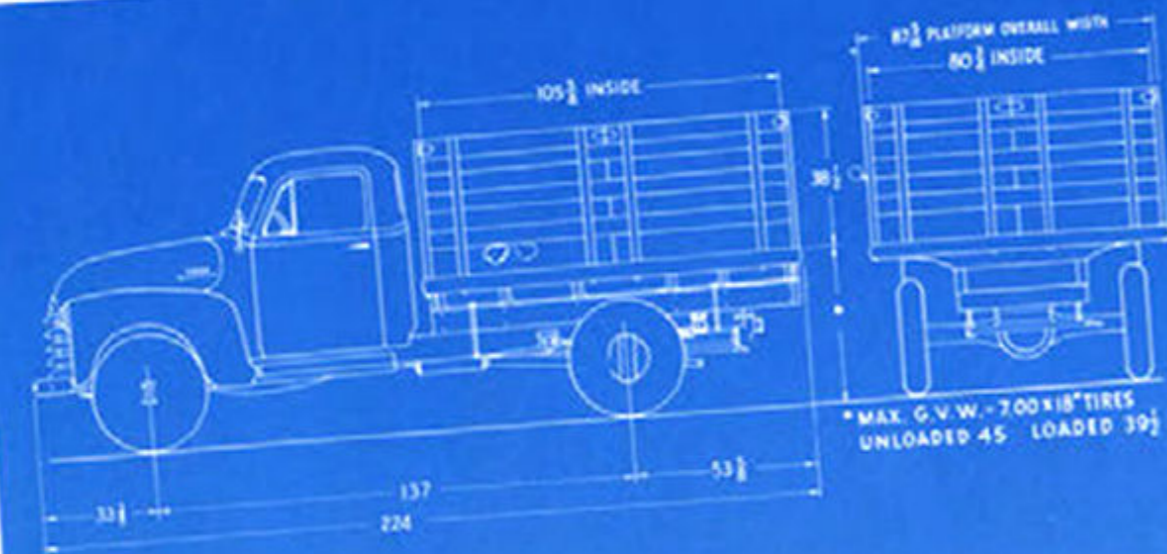
STANDARD EQUIPMENT

Ventipanes • Thriftmaster engine • Cooling system capacity, 15 quarts • Four-speed Synchro-Mesh transmission • Front and rear bumpers • Tires, 7.00-17, 6-ply rating, front and 8-ply rear • Direct double-acting front shock absorbers • Heavy-duty clutch, 10³/₄" • Foot-operated parking brake • Right-hand push-button door lock • 45-amp. generator.

OPTIONAL EQUIPMENT

E-Z-Eye Glass • Oil-bath air cleaner • Heavy-duty cooling system, capacity 16 quarts • Tires, maximum, 7.50-17, 8-ply rating • Direct double-acting rear shock absorbers • Auxiliary seat • Auxiliary rear springs • Governor • Left-hand push-button door lock • 45-, 50- or 55-amp. generator.





MODEL 3809 STAKE 137" WHEELBASE, MAXIMUM G.V.W. 8800 LB.
Model 3808, Platform Truck, also available

Facilities for rapid loading and unloading with economy of operation make this model an ideal multi-purpose unit. Famous Thriftmaster engine, 4-speed Synchro-Mesh transmission and heavy-duty clutch furnish ample power and driving flexibility. The full-floating rear axle (7200 lb. rating) coupled with the heavy-duty frame assure strong, full load support. Two-stage rear springs provide adequate load carrying capacity and comfortable ride.

STANDARD EQUIPMENT

Ventipanes • Thriftmaster engine • Heavy-duty clutch, 10 $\frac{3}{4}$ -in. • Cooling system capacity, 15 quarts • Four-speed Synchro-Mesh transmission • Tires, 7.00-17, 6-ply rating front, 8-ply rating, single, rear • Direct double-acting front shock absorbers • Foot-operated parking brake • Right-hand push-button door lock • 45-amp. generator.

OPTIONAL EQUIPMENT

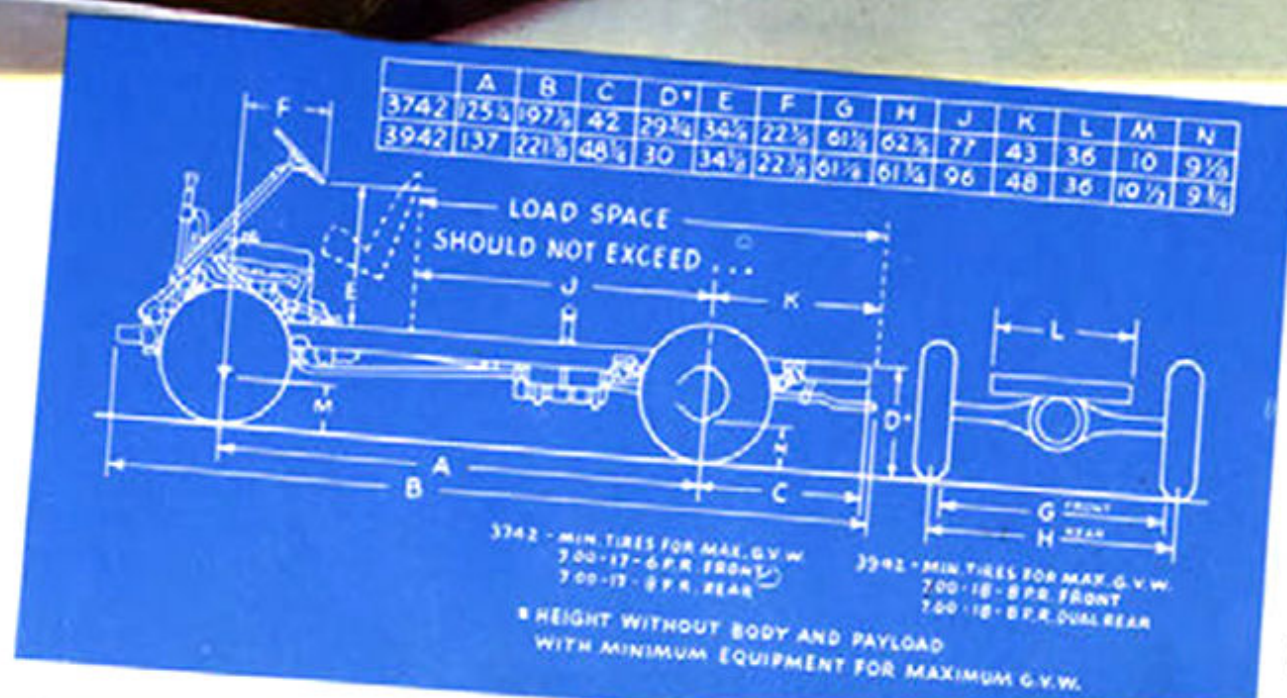
Oil-bath air cleaner • Heavy-duty cooling system, capacity 16 quarts • Tires, maximum, 7.00-18, 8-ply rating (dual rear) • Direct double-acting rear shock absorbers • Auxiliary rear springs • Governor • Rear corner windows • Left-hand push-button door lock • 45-, 50- or 55-amp. generator • E-Z-Eye Glass.



FORWARD CONTROL CHASSIS

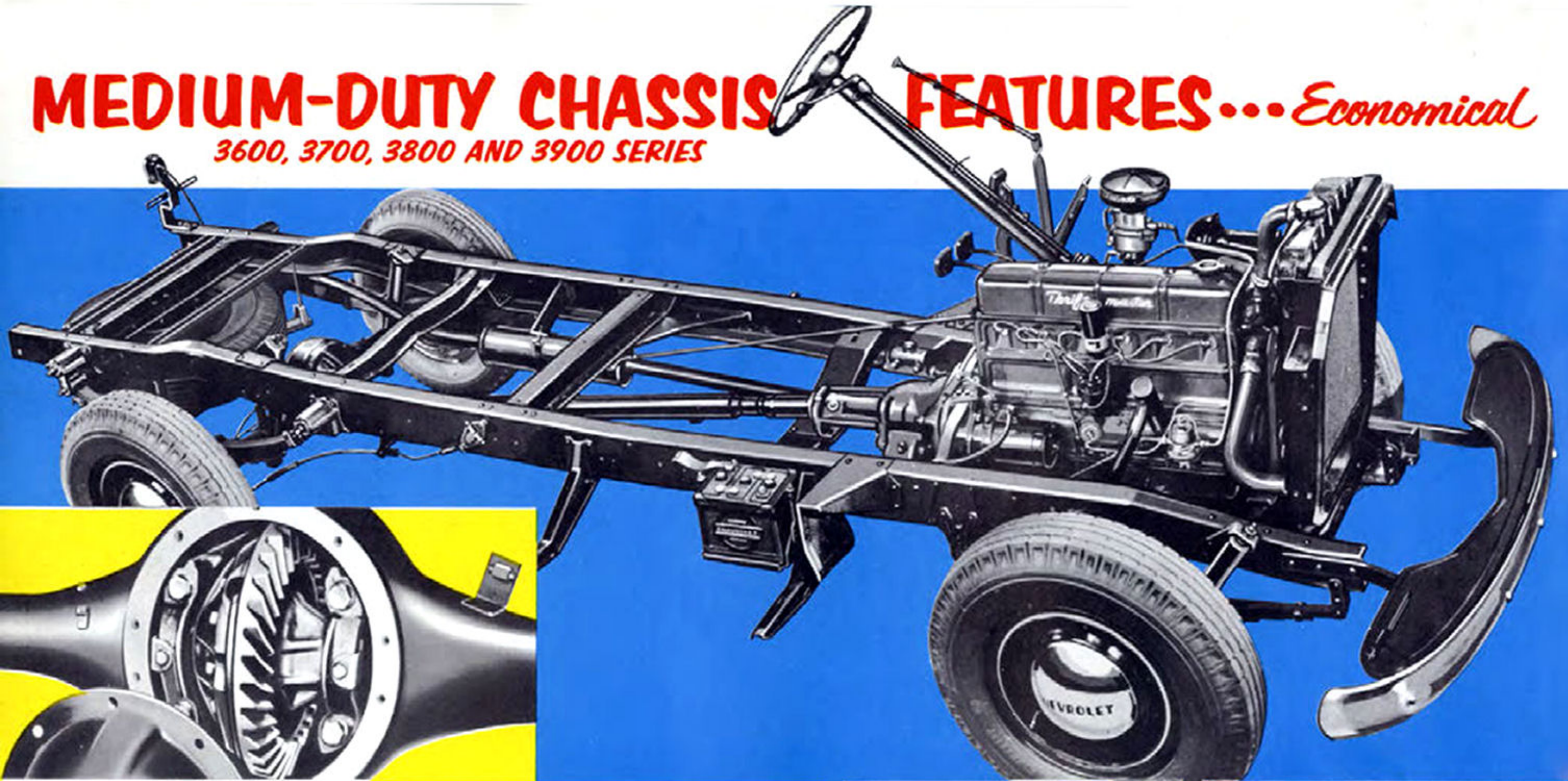
MODEL 3742, 125 $\frac{1}{4}$ " W.B., MAX. G.V.W. 7000 LB. MODEL 3942, 137" W.B., MAX. G.V.W. 10,000 LB.

Powered by the Loadmaster engine and with full-floating rear axles having 5.14 to 1 ratio, these popular models produce the rapid acceleration needed for economical door-to-door delivery. Further, because all the controls are moved forward, double the cubic load capacity is available without additional wheelbase. Closed crankcase ventilation system prolongs engine life by effectively preventing the formation of sludge, rust, corrosion or the harmful gases generated during periods of enforced idling. Steering column gearshift, push button starting, foot-operated parking brake contribute to driver convenience and ease of operation. Numerous tire combinations are available to meet load requirements. Oil bath air cleaner optional on both models. Synchro-mesh 4-speed transmission, optional on Model 3742. Propeller-shaft parking brake optional on Model 3942. All options at extra cost.



MEDIUM-DUTY CHASSIS FEATURES... *Economical*

3600, 3700, 3800 AND 3900 SERIES

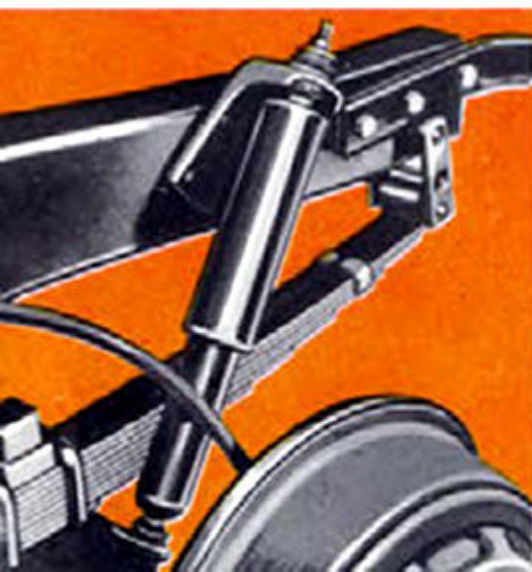


HYPOID REAR AXLE

Hypoid gear design permits extra-heavy construction of this vital unit to provide strength and stamina for long trouble-free service. Axle shafts are full-floating type which eliminates weight carrying stress. Large removable cover permits easy inspection of gears.

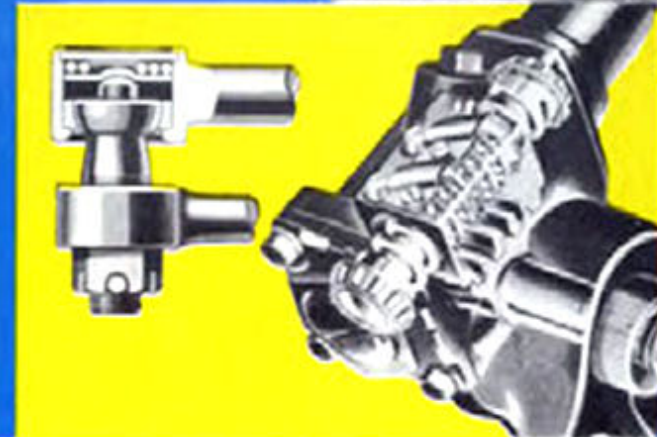
DIRECT DOUBLE-ACTING SHOCK ABSORBERS

Positive control of spring action contributes to riding ease and load protection. Direct double-acting shock absorbers are standard front and rear on 3600 and 3700 series; standard front on 3800 and 3900; optional on rear of 3800 series. Sealed for life, these shock absorbers require no lubrication or maintenance. Cam and lever double-acting shock absorbers are optional on rear of 3900 series.



DIAPHRAGM SPRING CLUTCH

With long clutch facing life, quiet performance under heavy loads and requiring unusually light pedal pressure for operation, this heavy-duty clutch features a single disc spring eliminating numerous coil springs and levers, thus reducing the number of working parts.



MORE DURABLE STEERING CONNECTING ROD

A new feature of the steering system is the more durable design of the steering connecting rod ends to further reduce wear. Easy steering is achieved by Chevrolet's recirculating ball-gear design, an engineering development that virtually eliminates friction.



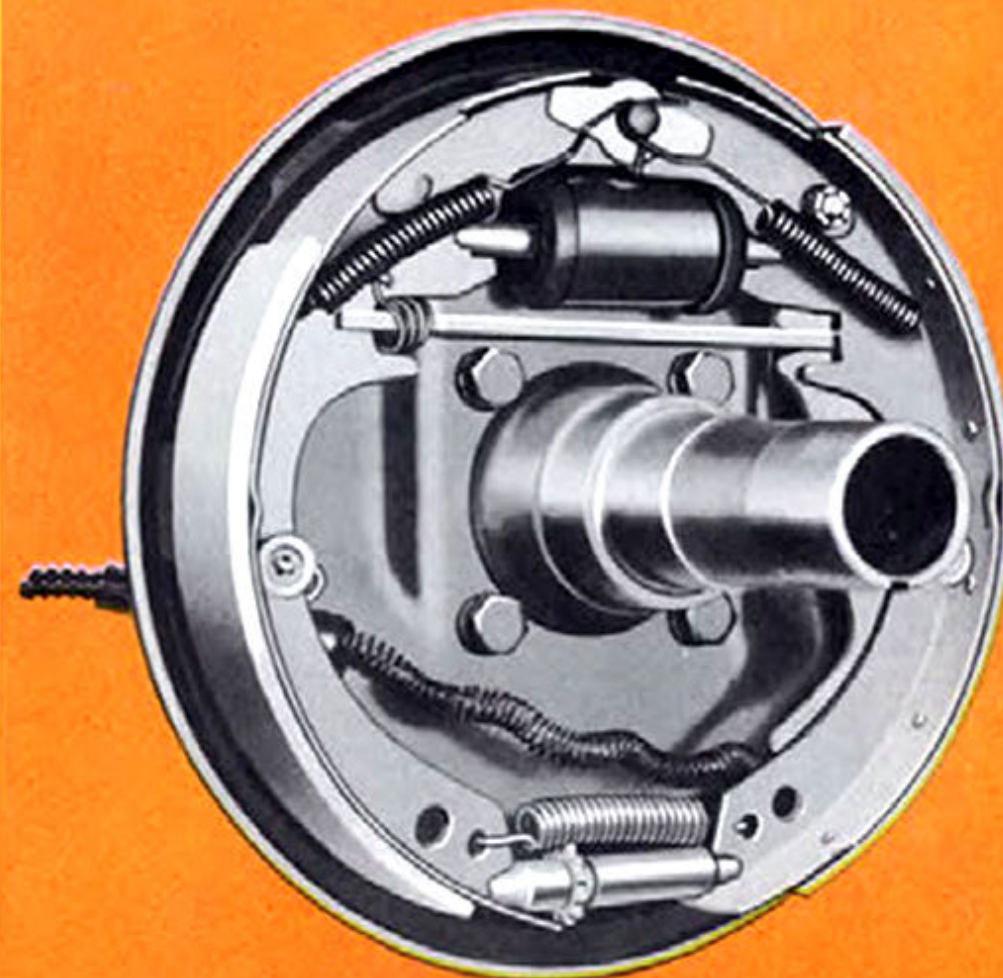
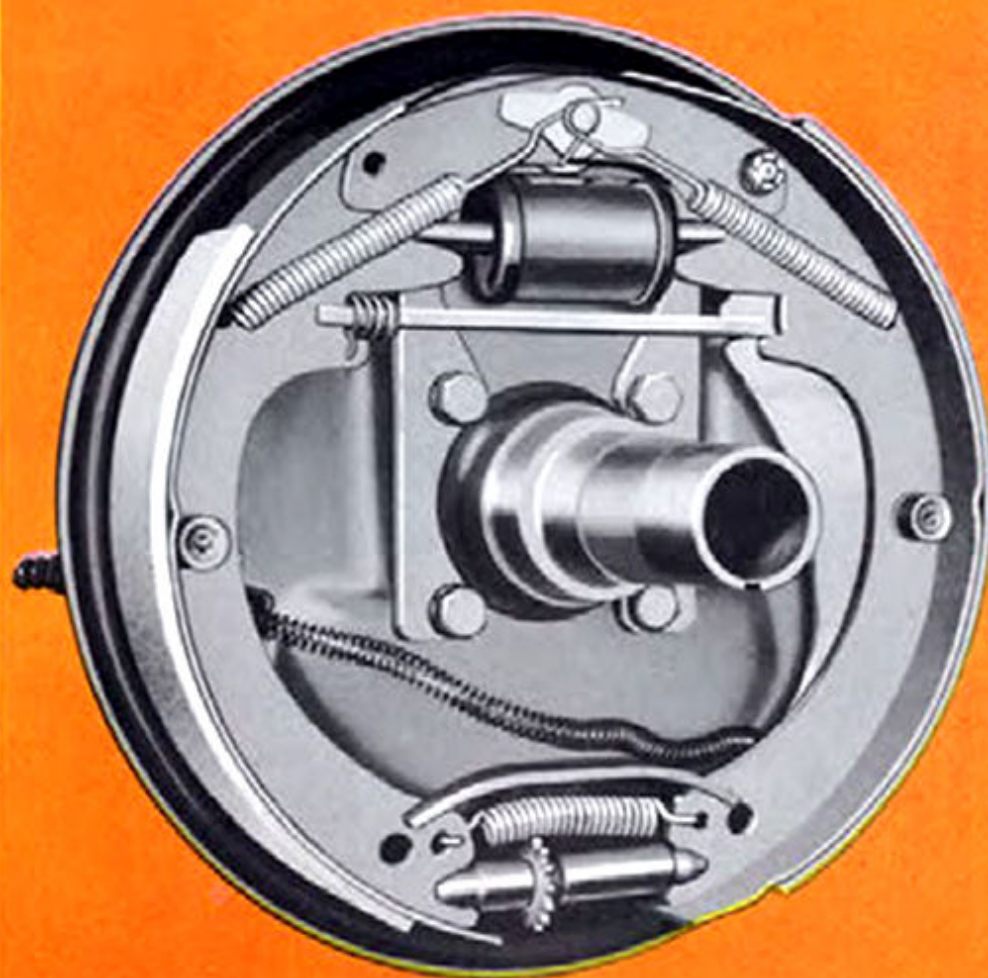
STURDIER FRONT AXLE

Built-in strength where it's needed is truly demonstrated in the new and sturdy front axles of the 1953 medium-duty line. Increased spindle diameters, added thickness of spring pads and lengthened steering knuckles, result in even greater durability at these important points.

Transportation **FOR PAYLOADS UP TO 4300 POUNDS**

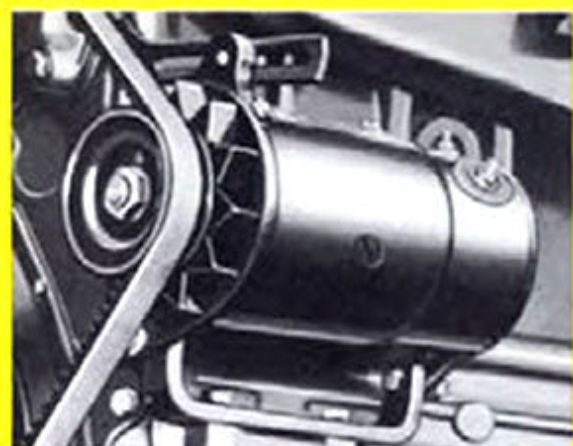
NEW *Torque-Action* **BRAKES**

Safer, smoother stops and greater operating ease are provided with the new torque-action brakes. Full-length contact of the facings with uniform wear on each is a feature of this type brake and fewer adjustments are required. Bonding of long-wearing brake material eliminates rivets and consequent scoring of drums which results in longer brake lining life.



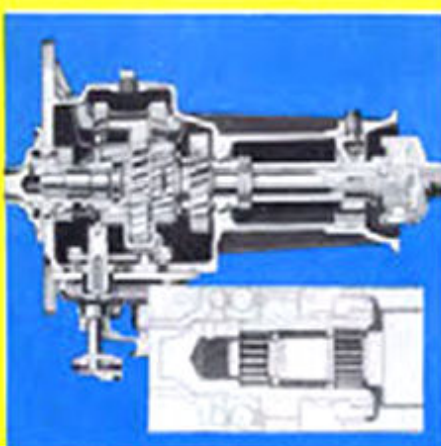
DUAL SHOE PARKING BRAKE

This popular feature of the Heavy-Duty trucks is now available, and optional at extra cost on Models 3802, 3812 and 3942. With vise-like grip, this dual shoe propeller shaft parking brake provides maximum holding power and safety.



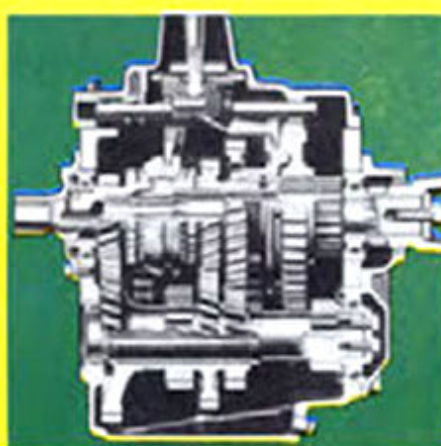
GENERATOR

Higher capacity 45-ampere generator, standard on all truck models, provides greater output capacity to prevent battery discharge under maximum electrical load. A 45-ampere generator, for slow truck speed operation, also 50- and 55-ampere generators are optional at extra cost.



NEW "DOUBLE-ROW" PILOT BEARING

Gives additional stability to the 3-speed transmission driveshaft. The rolling contact of the wide teeth and constant mesh of gears result in smooth, noiseless operation. Heavy gear case, and strong rugged shifter forks increase transmission life.



4-SPEED TRANSMISSION

Extra pulling power is available when needed. The large diameter, durable wide-faced helical gears are smooth and quiet in operation. Main shaft and countershaft are mounted on anti-friction bearings. Power take-off opening is provided. (Standard on Series 3800 and 3900; optional at extra cost on 3600 and 3700.)



GEARSHIFT CONTROL

of the 4-speed Synchro-Mesh transmission is floor mounted. Shifting is easy, smooth and quiet due to the Synchro-Mesh of second, third and fourth gears.



STEERING COLUMN GEARSHIFT

of the three-speed transmission (standard on 3600 and 3700 series) provides convenient shifting and allows clear floor space for easier entrance or exit from either side of cab.

HEAVY-DUTY Models



MODEL 4108 PLATFORM 137" WHEELBASE, MAXIMUM G.V.W. 14,000 LB.
 Also available: 4109 Stake Truck and in 6100 Series

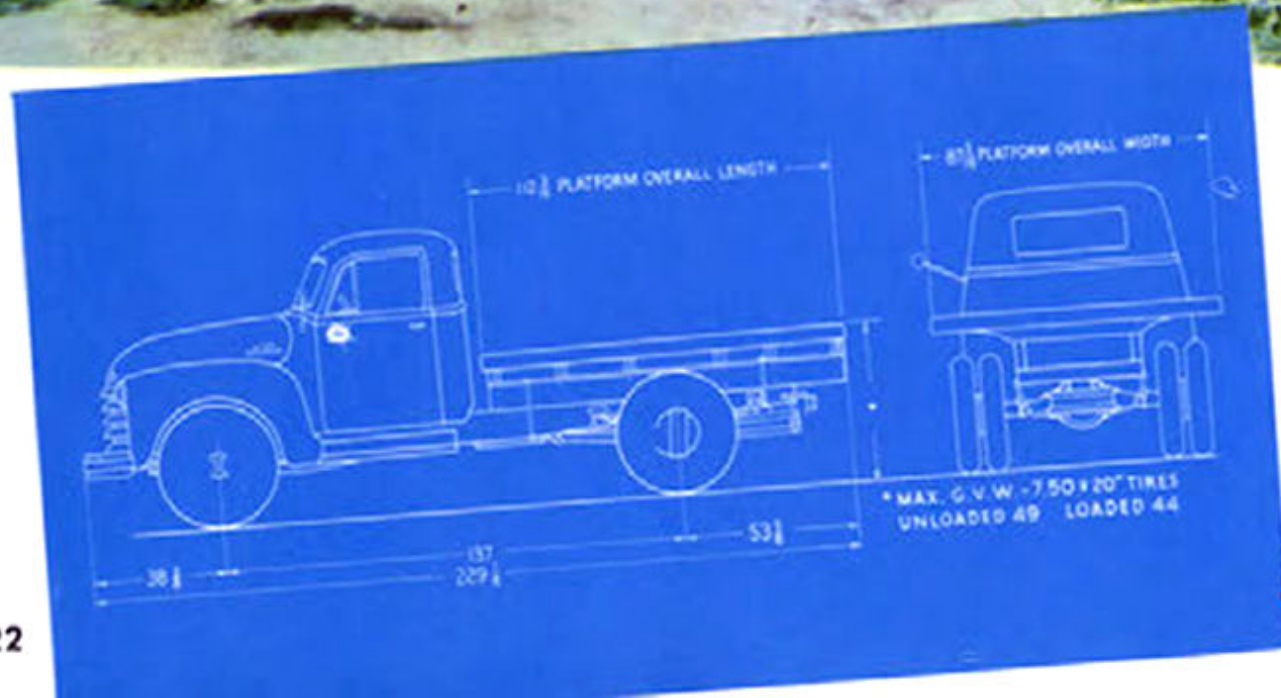
Flexibility, economy and utility are offered in this platform model. Large, smooth hardwood floor with steel skid strips provides efficient loading and unloading. It can be quickly converted to a stake body by the installation of racks. Optional frame, springs, engine, wheels and tires make this model highly adaptable for hauling loads up to 8,900 lbs.

STANDARD EQUIPMENT

Torque-Action, front and Twin-Action rear brakes • Ventipanes • Thriftmaster engine • Cooling system capacity, 15 quarts • Four-speed Synchro-Mesh transmission • Six tires, 6.50-20, 6-ply rating • Rear axle ratio 6.17:1 • Rear springs 4465-lb. capacity at ground, each • Dual-Shoe propeller shaft type parking brake • Right-hand push-button door lock • 45-amp. generator.

OPTIONAL EQUIPMENT

Loadmaster engine • Heavy-duty cooling system capacity, 16 quarts • Heavy-duty frame • Tires, maximum, 7.50-20, 10-ply rating (dual rear) • Rear axle ratio 5.43:1 • Hydrovac power brake • Auxiliary (6-leaf) springs • Rear corner windows • Governor • Double-acting shock absorbers, front and rear • Left-hand push-button door lock • 45-, 50- or 55-amp. generator • E-Z-Eye Glass.





MODEL 4409 STAKE 161" WHEELBASE, MAXIMUM G.V.W. 14,000 LB.
 Also available: 4408 Platform Truck and in 6400 Series.

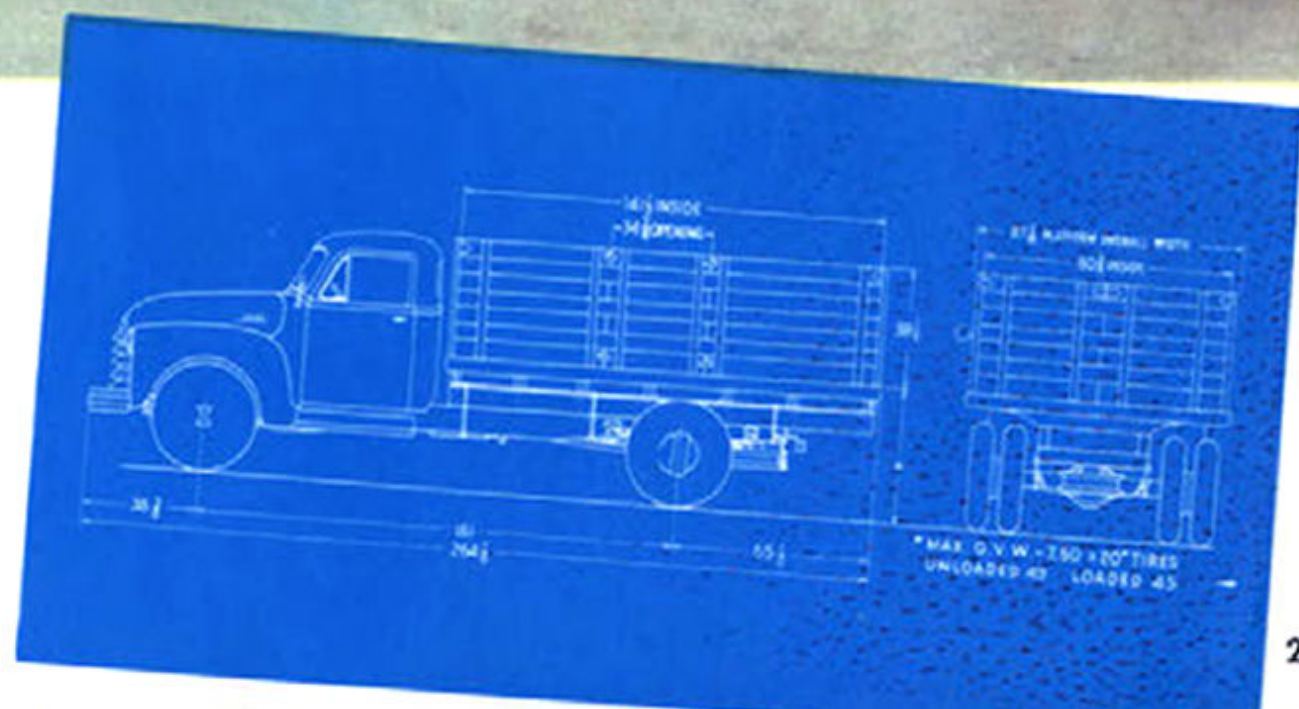
Loads up to 8500 lbs. are easily accommodated by the roomy 12-ft. body of this powerful stake model. The sturdy frame provides full length support for body and payload. The 4-speed Synchro-Mesh transmission and new torque action front brakes, with twin-action rear brakes, combine maximum load capacity with safety for driver and merchandise.

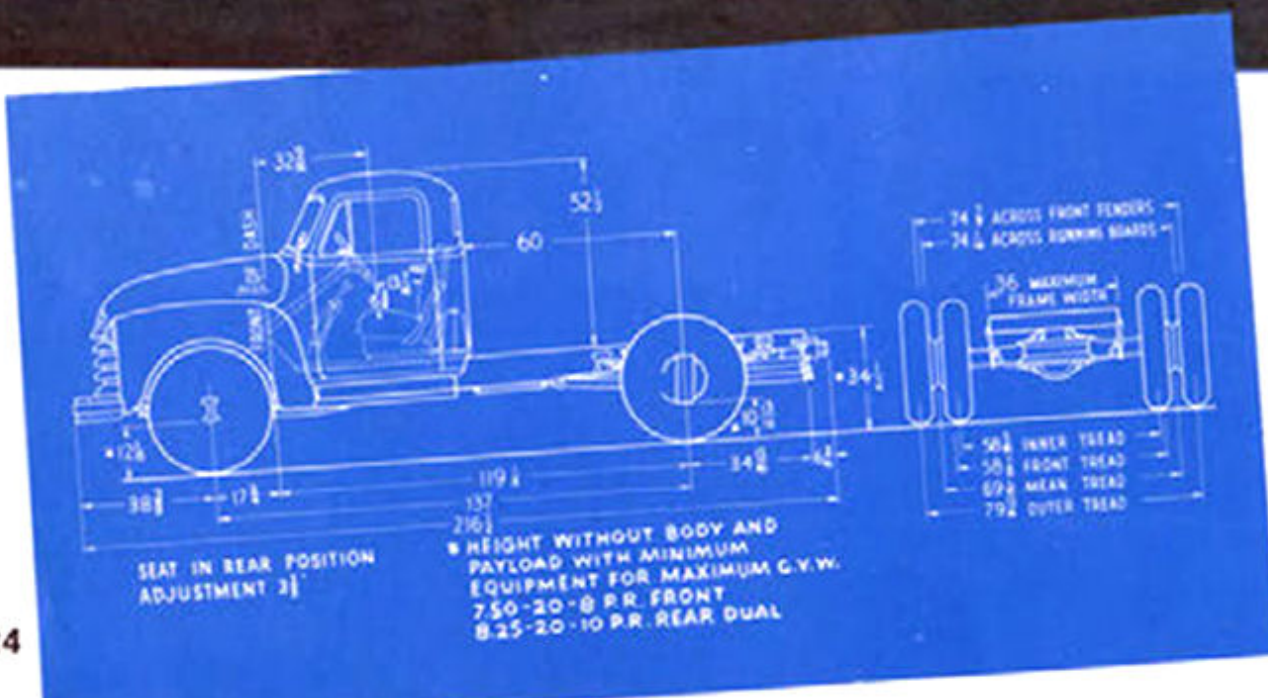
STANDARD EQUIPMENT

45-amp. generator • Torque-Action front and Twin-Action rear brakes • Ventipanes • Thriftmaster engine • Cooling system capacity, 15 quarts • Four-speed Synchro-Mesh transmission • Six tires, 6.50-20, 6-ply rating • Rear axle ratio 6.17:1 • Rear springs, 4465-lb. capacity at ground, each • Heavy-duty frame • Wide-base wheels • Dual-Shoe propeller shaft type parking brake.

OPTIONAL EQUIPMENT

Loadmaster engine • Oil-bath air cleaner • Heavy-duty cooling system capacity, 16 quarts • Tires, maximum, 7.50-20, 10-ply rating (dual rear) • Rear axle ratio 5.43:1 • Hydrovac power brake • Auxiliary (6-leaf) springs • Double-acting shock absorbers, front and rear • Governor • Rear corner windows • 45-, 50- or 55-amp. generator • E-Z-Eye Glass.





MODEL 6103 CHASSIS AND CAB 137" WHEELBASE, MAXIMUM G.V.W. 16,000 LB.
Model 4103 also available

This popular wheelbase cab and chassis is designed to give long uninterrupted service hauling maximum loads both on and off the highway. Materials can be moved faster and more economically because of the dependability and increased horsepower of the Loadmaster engine. Optional tires up to 8.25-20 front and 9.00-20 rear available at extra cost.

STANDARD EQUIPMENT

Torque-Action front and Twin-Action rear brakes • Ventipanes • Loadmaster engine • Oil-bath air cleaner • Cooling system, 16 quarts • Four-speed Synchro-Mesh transmission • Six tires, 7.50-20, 8-ply rating • Rear axle ratio, 6.17:1 • Hydrovac power brake • Rear springs, 7800-lb. capacity at ground, each • Dual-Shoe propeller shaft type parking brake • 45-amp. generator.

OPTIONAL EQUIPMENT

E-Z-Eye Glass • Rear corner windows • 45-, 50- and 55-amp. generator • Tires, maximum, (6) 8.25-20, 10-ply rating front, 9.00-20, 10-ply rating (dual rear) • Two-speed rear axle • Double-acting front shock absorbers • Governor • Left-hand push-button door lock • Heavy-duty cooling system, 17-quart capacity.



MODEL 6403 CHASSIS AND CAB 161" WHEELBASE, MAXIMUM G.V.W. 16,000 LB.
Also available: 4403

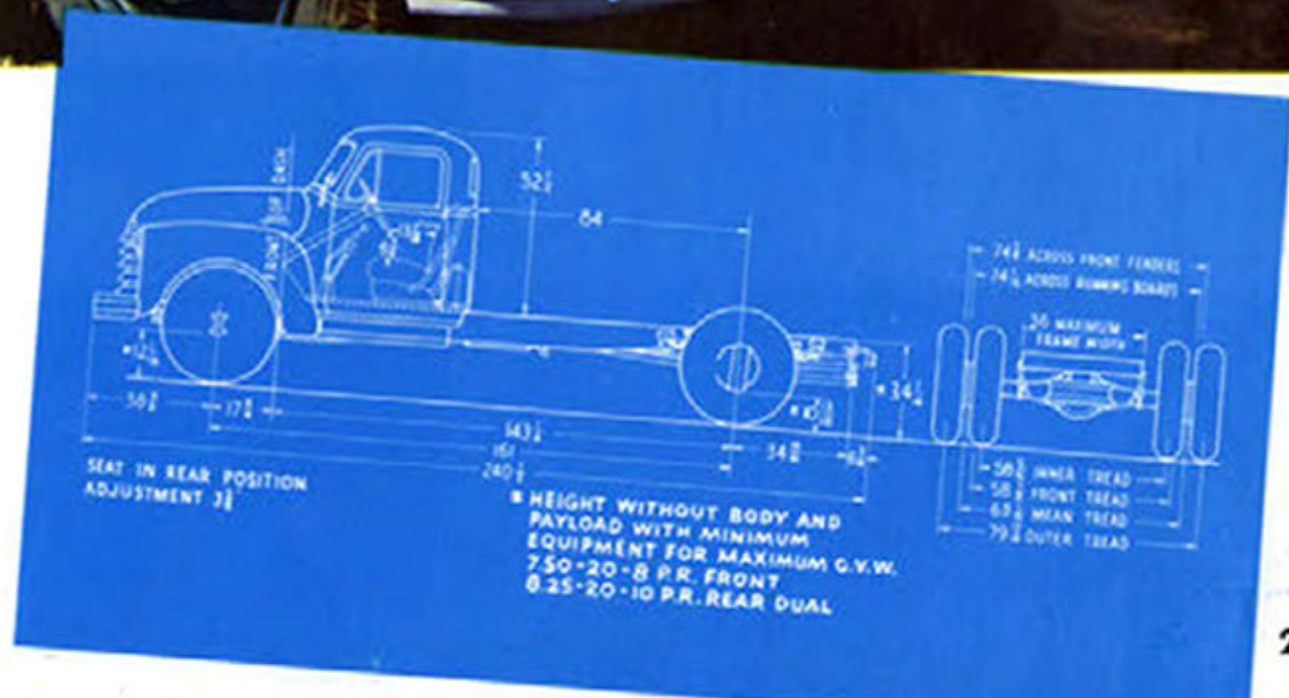
Matched components consisting of the 108-horsepower Loadmaster engine, heavy-duty clutch, 4-speed Synchro-Mesh transmission and Hypoid rear axle provide ample power and flexibility for many types of hauling. Heavy-duty frame and springs are designed to support body and maximum payload under the most rugged operating conditions.

STANDARD EQUIPMENT

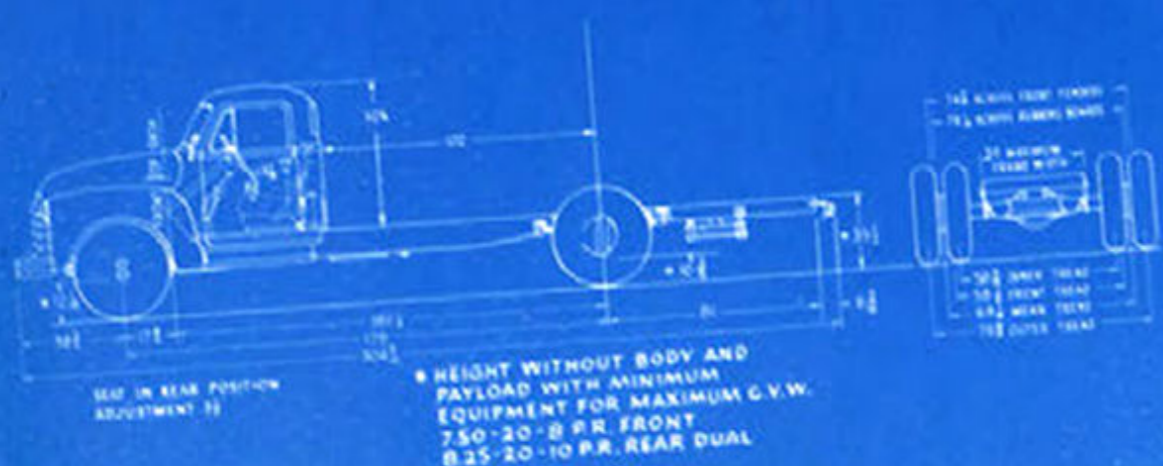
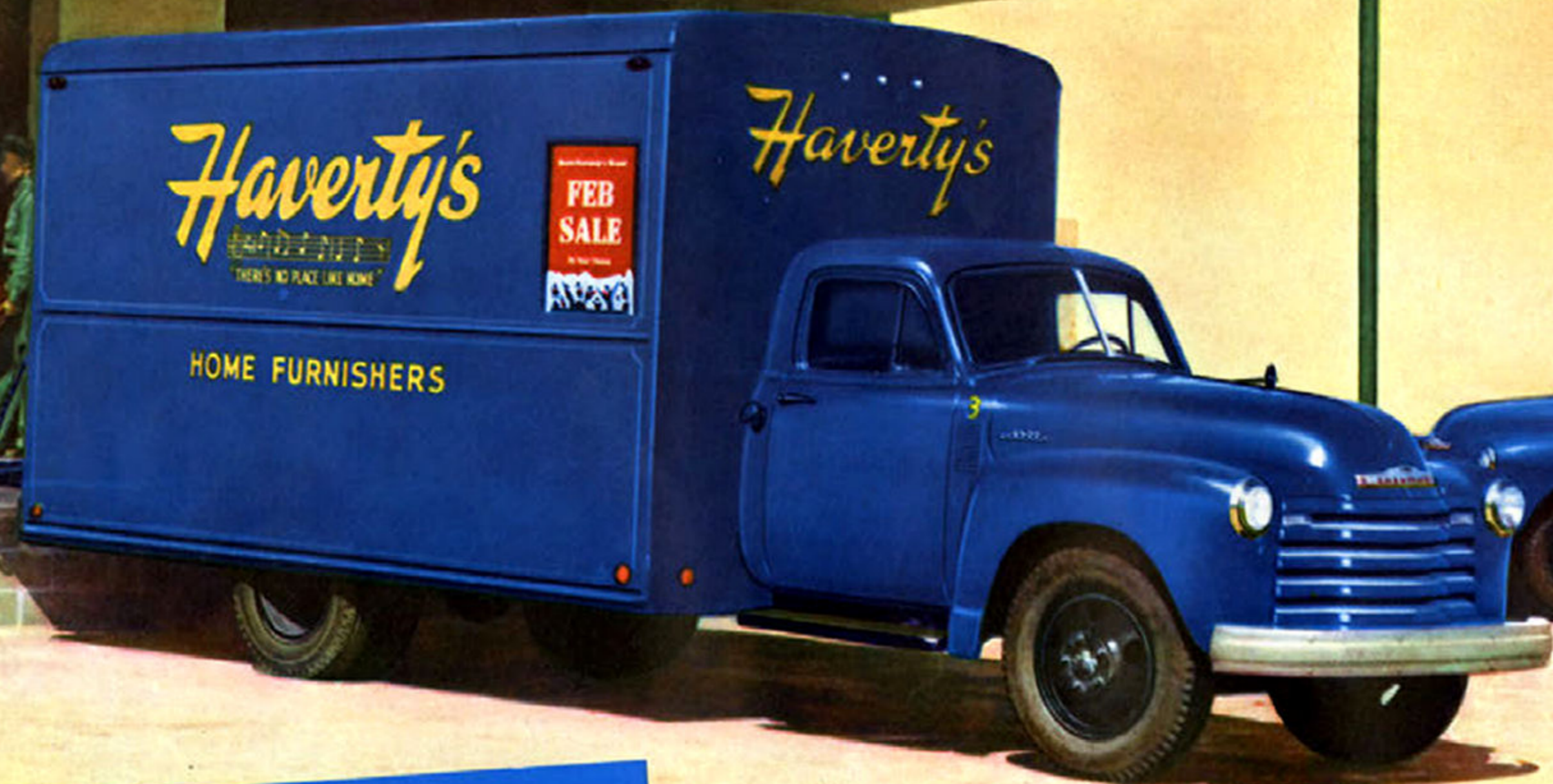
Torque-Action front and Twin-Action rear brakes • Ventipanes • Loadmaster engine • Oil-bath air cleaner • Cooling system, 16 quarts • Four-speed Synchro-Mesh transmission • Six tires, 7.50-20, 8-ply rating • Rear axle ratio, 6.17:1 • Hydrovac power brake • Rear springs, 7800-lb. capacity at ground, each • Heavy-duty frame • 45-amp. generator.

OPTIONAL EQUIPMENT

Heavy-duty cooling system, 17-quart capacity • Tires, maximum, (6) 8.25-20, 10-ply rating front, 9.00-20, 10-ply rating (dual rear) • Two-speed rear axle • Double-acting front shock absorbers • Governor • Rear corner windows • Left-hand push-button door lock • 45-, 50- or 55-amp. generator • E-Z-Eye Glass.



HAVERTY'S WAREHOUSE



MODEL 6503 CHASSIS AND CAB 179" WHEELBASE, MAXIMUM G.V.W. 16,000 LB.

Special bodies up to 16 feet in length can be accommodated on this model. The long, sturdy frame with seven steel cross members assures side rail alignment and ample support for body and payload. Ball gear steering provides easy maneuverability. This model is ideal for extra long or bulky loads, such as; pipe, lumber, building materials, waste materials or van type bodies.

STANDARD EQUIPMENT

45-amp. generator • Torque-Action front and Twin-Action rear brakes • Ventipanes • Loadmaster engine • Oil-bath air cleaner • Cooling system, 16 quarts • Four-speed Synchro-Mesh transmission • Six tires, 7.50-20, 8-ply rating • Rear springs 7800-lb. capacity at ground, each • Dual-Shoe propeller shaft type parking brake.

OPTIONAL EQUIPMENT

Tires, maximum, 8.25-20, 10-ply rating front, 9.00-20, 10-ply rating dual rear • Two-speed rear axle • Double-acting front shock absorbers • Governor • Rear corner windows • Left-hand push-button door lock • Heavy-duty cooling system, 17-quart capacity • 45-, 50- or 55-amp. generator • E-Z-Eye Glass.



MODEL 5703 CHASSIS AND CAB 158" WHEELBASE, MAXIMUM G.V.W. 16,000 LB.
 Also available: 5103 (110" W.B.), 5403, 5408 Platform and 5409 Stake (134" W.B.)

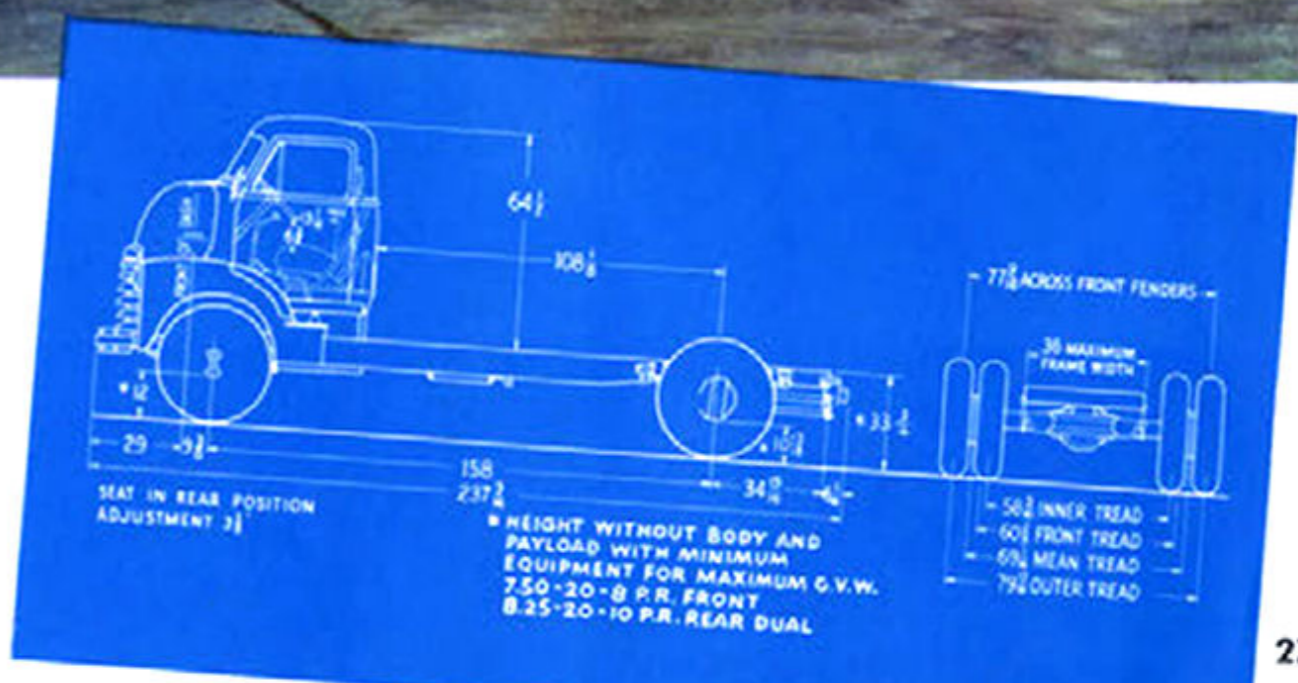
This popular cab-over-engine model accommodates bodies up to 16 feet long and is capable of hauling loads up to five tons. Safety-height platform type steps, wide door openings, grab handles and ventipanes win driver approval. It is particularly designed for easy maneuverability in congested areas.

STANDARD EQUIPMENT

Loadmaster engine • Oil-bath air cleaner • Cooling system, 16 quarts • Four-speed Synchro-Mesh transmission • Tires (6), 7.50-20, 8-ply rating • Rear axle ratio 6.17:1 • Hydrovac power brake • Rear springs, 7800-lb. capacity at ground, each • Torque-Action, front and Twin-Action rear brakes • 45-amp. generator.

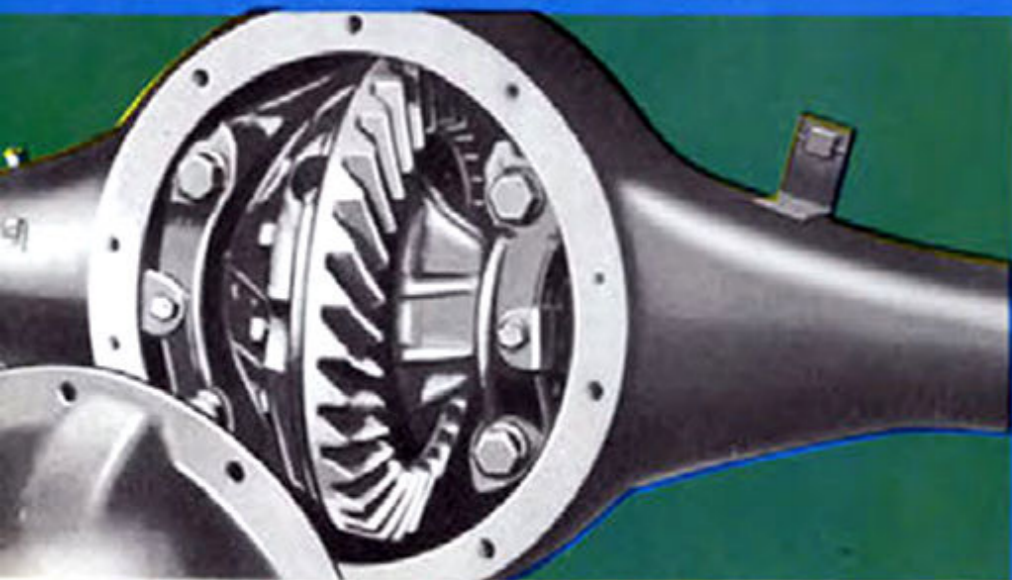
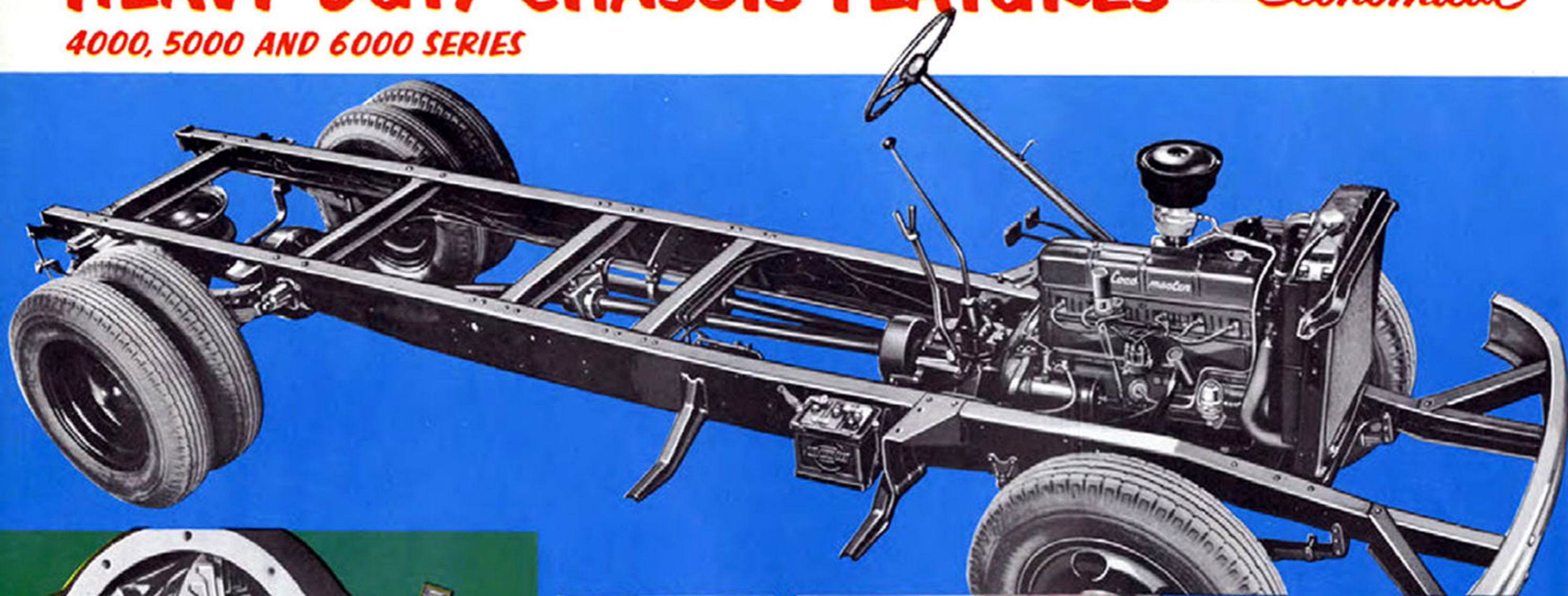
OPTIONAL EQUIPMENT

Double-acting shock absorbers, front and rear • Tires, maximum, 8.25-20, 10-ply rating front, 9.00-20, 10-ply rating, dual rear • Two-speed rear axle • Rear corner windows • Governor • Left-hand push button door lock • Heavy-duty cooling system, 17-quart capacity • 45-amp. generator • E-Z-Eye Glass.



HEAVY-DUTY CHASSIS FEATURES...*Economical*

4000, 5000 AND 6000 SERIES



MASSIVE STRENGTH IN HYPOID REAR AXLE

Hypoid gear design plus the rugged single unit housing of Chevrolet's heavy-duty rear axle offers dependable service in moving and carrying heavy loads. Straddle-mounted pinion and adjustable thrust pad keep the Hypoid ring and pinion gears in alignment reducing wear and adding to gear life. The single unit housing formed as a tubular steel beam provides maximum strength and rigidity. Four-pinion differential distributes the stress and shock of power and movement over four gears to give long trouble-free service.

SPLINED AXLE TO HUB

This design reduces axle stress by evenly distributing the driving load through direct mating of axle shaft splines with wheel hub. Grease leakage is prevented by the cap which is relieved of all driving strain.

2-SPEED REAR AXLE

Greater pulling power with maximum economy is offered in the Chevrolet double reduction two-speed axle. With pre-selective double line vacuum power shift, it requires only a flip of the finger and a touch of the toe to change to high or low axle ratio. The 6.13 to 1 high and 8.10 to 1 low ratio multiply engine power and add to flexibility in the handling of heavy loads. Optional at extra cost on 5000 and 6000 series.

FRONT AXLE

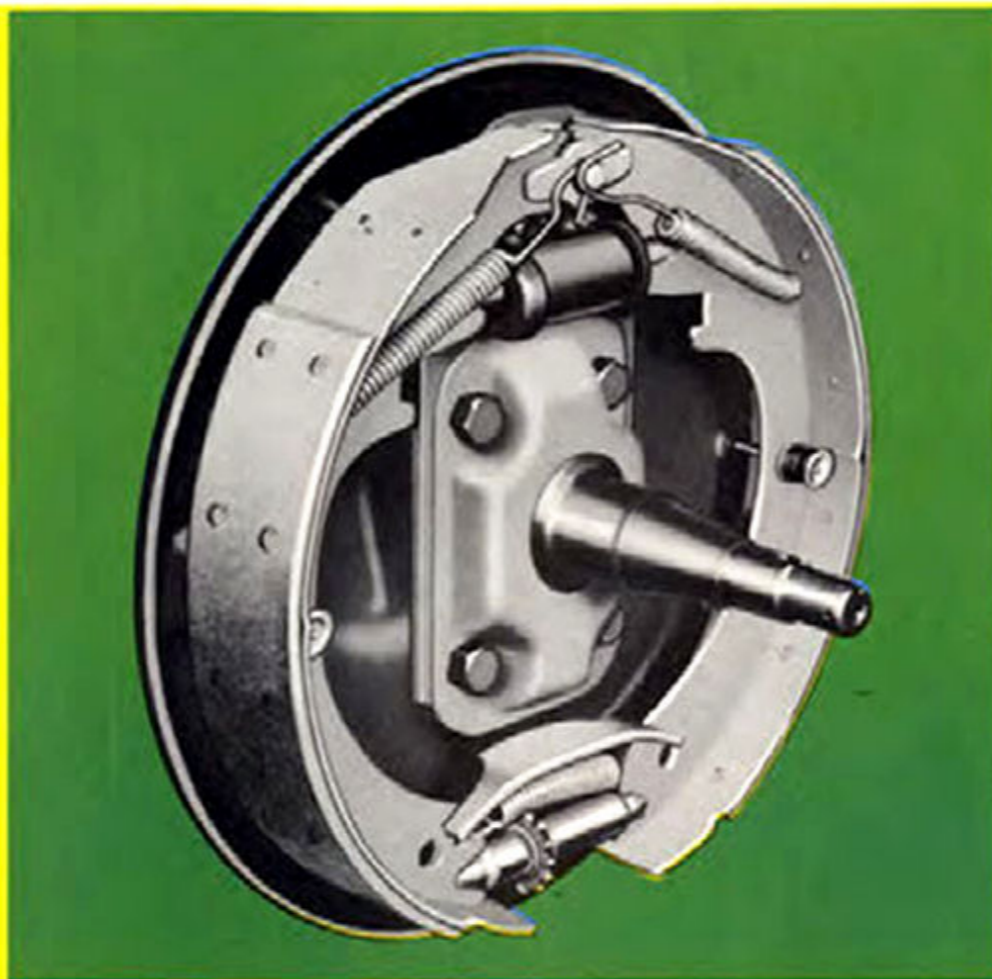
Increased width of the spring pads and the lower flange of the I-beam combined with the sturdy spindles on the 6000 series, provide greater durability to withstand load and road shocks.

The front axle of the 4000 series has been redesigned to accommodate maximum loads.

Transportation **FOR PAYLOADS UP TO 5 TONS**

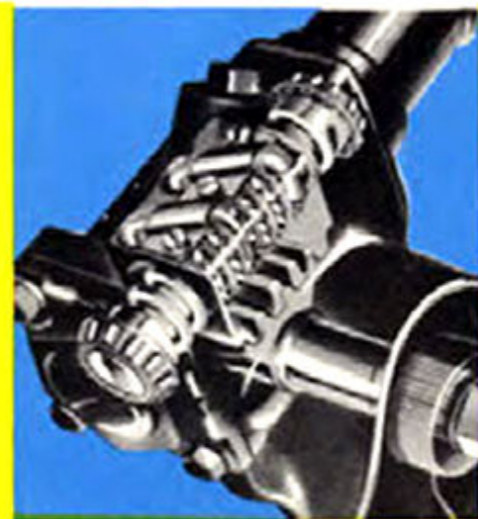
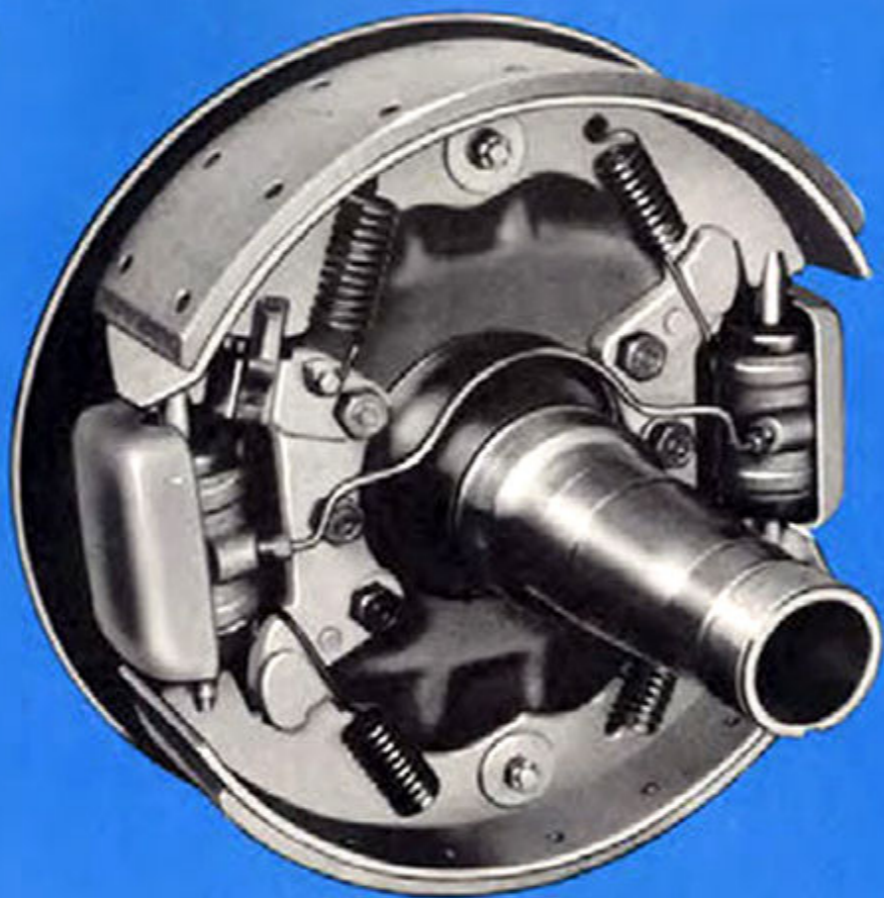
NEW *Torque-Action* **FRONT BRAKES**

Greater safety is offered with the installation of new torque action front brakes on all 1953 Heavy-Duty trucks. The self-energizing action of the large 14" x 2 1/2" brake shoes (either in forward or reverse motion of the truck) develops greater braking effectiveness. Improved sealing guards against the entrance of moisture and dirt. Brake drum construction results in rapid heat dissipation.



Twin-Action **REAR BRAKES**

Braking effectiveness is achieved with two double-acting hydraulic wheel cylinders actuating both shoes to assure full contact of linings with drums which minimizes lining wear. Large braking area of the molded facings, 15" diameter and 4" width, stops maximum loads easily. Brake flange and drum are designed to keep out grit and moisture, thus reducing facing wear.



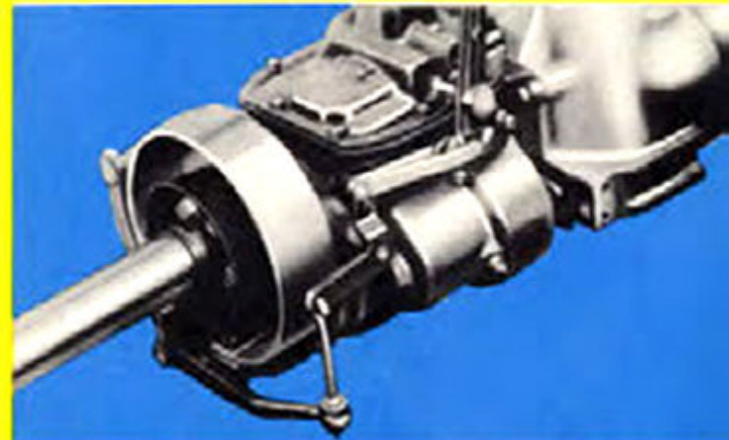
BALL GEAR STEERING

Recirculating ball steering gear minimizes friction and combines driving ease with durability. Steering gear is bolted directly to the frame by four bolts and is further strengthened by the heavy mast jacket which is pressed into the gear housing.



4-SPEED SYNCHRO-MESH TRANSMISSION

Helical gears assure quiet operation, and long transmission life. Gears can be shifted easily and quickly. No "double clutching" is required either on hills or level roads. Standard equipment in all Heavy-Duty trucks. Left side power take-off opening is provided.

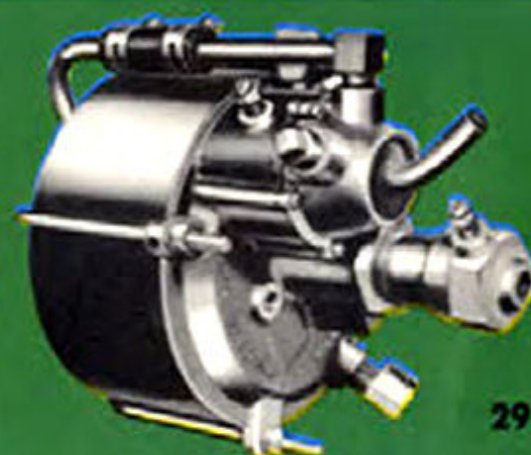


DUAL-SHOE PROPELLER-TYPE PARKING BRAKES

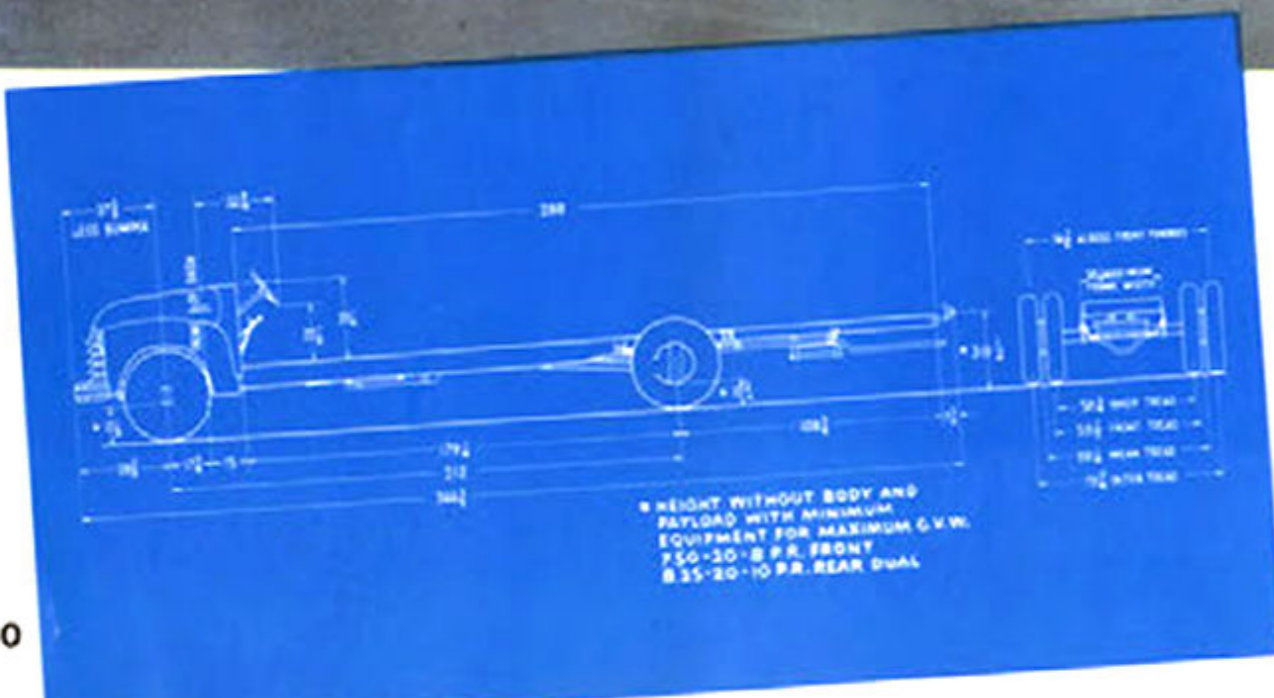
This safety feature mounted at rear of transmission is of the two-shoe type, and by engaging *both* inside and outside of drum in a vice-like grip affords a powerful positive parking brake. Universal joint shield protects brake drum and internal shoe against grease or oil.

HYDROVAC POWER BRAKE

Vacuum actuated power braking of the Hydrovac Booster actually relieves the driver of two-thirds of the effort of brake application. This ease of operation contributes to driving efficiency. The 7" long stroke hydrovac power brake is standard equipment on the 5000 and 6000 series and is optional at extra cost on Series 4000.



SCHOOL BUS



MODEL 6802 SCHOOL BUS CHASSIS 212" W.B. MAXIMUM G.V.W. 16,000 LB.

In the design of Chevrolet school bus chassis, particular attention has been given to safety, dependability and economy of operation. This has resulted in chassis which meet every requirement of the National Minimum Standards as well as those of practically all states.

STANDARD EQUIPMENT

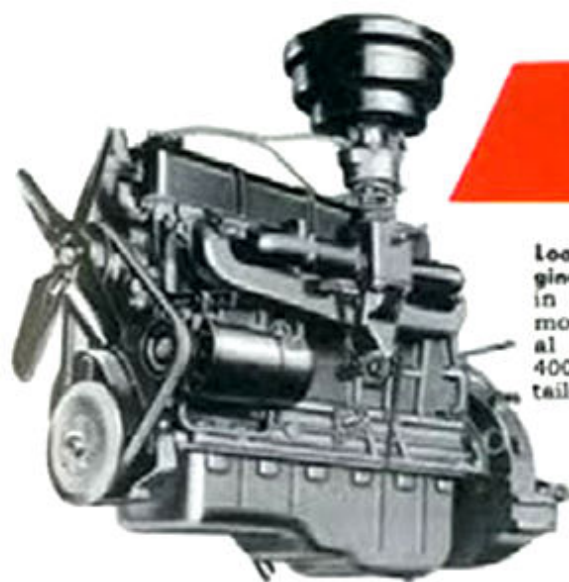
Loadmaster engine • Governor • Oil-bath air cleaner • Heavy-duty radiator, capacity 16 quarts • Four-speed Synchro-Mesh transmission • Special heavy-duty bus frame • Tires (6), 7.50-20, 8-ply rating • Hydrovac power brake • Two-stage rear springs, 5600-lb. capacity, each • Dual-Shoe propeller shaft parking brake • Propeller shaft guards • Torque-Action front and Twin-Action rear brakes • 45-amp. generator.

OPTIONAL EQUIPMENT

45-, 50- or 55-amp. generator • Tires, maximum, 8.25-20, 10- or 12-ply rating (dual rear) • Two-speed rear axle • Double-acting shock absorbers, front and rear • Fuel and vacuum pump • Heavy-duty cooling system, 17-quart capacity.

See page 35 for standard and optional equipment of Models 3802, 4502 and 6702.

OPTIONS



Loadmaster Engine—Standard in the heavier models, optional in Series 4000. (For details see page 3.)



Four-Speed Synchro-Mesh Transmission—Optional on all models with three-speed Synchro-Mesh transmission as standard, except Sedan Delivery.



Six-leaf Auxiliary Rear Springs—Available for 4100 and 4400 Series models, standard on 5000, 6100, 6400 and 6500. Three-leaf auxiliary available for 3800 and 3900 Series.



Hydrovac Power Brake—Vacuum-power operated. Reduces driver fatigue and promotes safety. Optional on Series 4000.

A CHOICE OF 12 ATTRACTIVE COLORS

Commercial Red	Mariner Blue
Yukon Yellow	Transport Blue
Burgundy Maroon	Shell White
Coppertone	Juniper Green
Cream Medium	Ocean Green
Autumn Brown	Jet Black

Eight passenger car colors only are available on the Sedan Delivery.



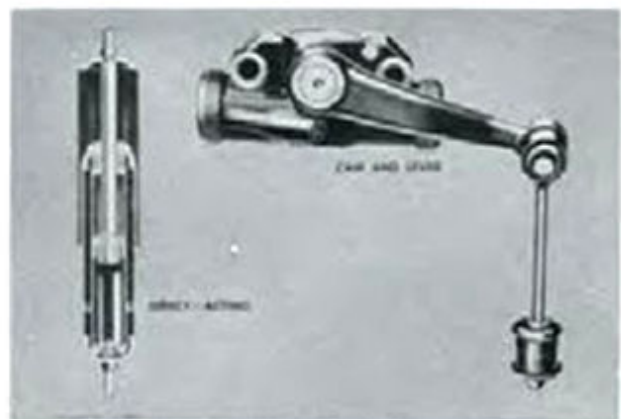
Governor—Available for installation on Thriftmaster and Loadmaster engines. Controls road speed where desirable.



Heavy-Duty Cooling System—Capacity 16 quarts. For 3600, 3800 and 4000 Series models using standard 15-quart units, in regions of excessive heat or high altitudes. 17-quart on 5000 and 6000 Series.



Rear-View Mirrors—Long or short brackets for left-hand or right-hand mounting.



Double-Acting Shock Absorbers—Smooth out bounces when wheels hit bumps or holes. Direct double-acting shock absorbers are used on trucks with lower G.V.W. ratings, the cam and lever type on trucks with the highest G.V.W. ratings.



Oil Filter—Protects engine bearing surfaces by removing dirt and grit from the engine oil.



Rear Bumper—Greater protection for rear end of truck. Available for Models 3102-03-04-12. And 3602-03-04-12.



Oil-Bath Air Cleaner—A heavy-duty unit for trucks that operate in dusty regions.



Side Mounted Tire Carrier—Convenient location for spare wheel and tire. Available for pickup models 3104-3604 and 3804.



Optional Generators—Greater output for increased electrical loads. 45 ampere—Series 3000-4000-5000-6000 and Model 1508. 50 ampere—Series 3100-3600-3800-4000-6000 and Model 1508. 55 ampere—Series 3100-3600-3800-4000-6000.



Two-Speed Rear Axle—Increases maximum pulling ability, promotes economy. Vacuum-power shift to change ratios. Series 5000 and 6000.



Combination Fuel and Vacuum Pump—Provides added power for operation of windshield wipers under heavy loads.



Right-Hand Seat—Provides accommodation for a passenger in Panel or Canopy Express models.



Heavy-Duty Clutch (10 3/4-inch)—For use in place of the regular 9 1/4-inch clutch of 3100 Series or Sedan Delivery. Recommended for vehicles in multi-stop delivery service.



Rear Corner Windows—Available in all cab models.



E-Z-Eye Gloss—Available in all windshields and windows except rear panel truck doors and the Sedan Delivery.

Positive Crankcase Ventilation—Reduces condensation, oil dilution, sludge formation, corrosion and engine wear. Optional for Models 3802—4102 and 5000-6000 Series.

ACCESSORIES



Outside-Air Ventilator, Heater and Defroster—A combination outside-air ventilating, heating and defrosting unit. Draws the air from outside, heats it, circulates it throughout the cab. All trucks except flat-face cowl or forward-control.



Truck Grille Guard—Protects the truck grille, front fenders and head lamps from damage. 3000 Series type shown. Heavy-duty type also available.



Safety Light—For all model trucks. Operated and controlled from inside the cab by one hand. Throws powerful 1000-foot, all-round beam.

Illuminated Cigarette Lighter—Push-button type.



Dual Horns—Matched electric two-tone horns give a long-distance warning signal with pleasant notes.



Truck Windshield Washer—Quickly cleans a dirty windshield. Foot operated. Two jets of clean water spray the glass.

Truck Direction Signals—Set of 4 lamps, for front and rear mounting. Convenient switch on steering column controls their operation. Readily visible day or night.



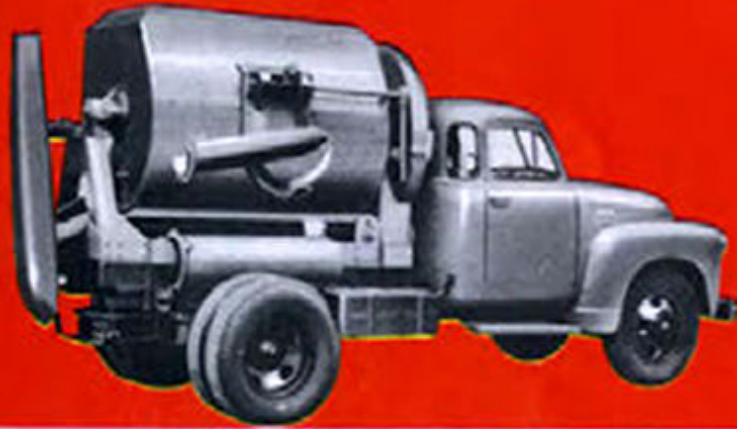
De Luxe Radio and Antenna—Automatic five-button, fine-tuning, de luxe radio with whip-type antenna. Fits all truck models.

CHASSIS MODELS FOR A WIDE VARIETY



CONVENTIONAL

COWL AND WINDSHIELD



Model	Body Length	Weight of Body and Payload	Wheel-base	Model	Body Length	Weight of Body and Payload	Wheel-base
3103	66" to 78"	1800 lb.	116"	3112	66" to 84"	2100 lb.	116"
3603	72" to 92"	2400 lb.	125 1/4"	3612	72" to 98"	2700 lb.	125 1/4"
3803	92" to 116"	4900 lb.	137"	3812	92" to 124"	5200 lb.	137"
4103	92" to 116"	9500 lb.	137"	4112	92" to 124"	9800 lb.	137"
4403	116" to 164"	9400 lb.	161"	4412	116" to 170"	9700 lb.	161"
6103	92" to 116"	11,200 lb.	137"	6112	92" to 124"	11,500 lb.	137"
6103s	92" to 116"	10,200 lb.	137"	6112s	92" to 124"	10,500 lb.	137"
6403	116" to 164"	11,100 lb.	161"	6412	116" to 170"	11,400 lb.	161"
6403s	116" to 164"	10,100 lb.	161"	6412s	116" to 170"	10,400 lb.	161"
6503	156" to 198"	11,000 lb.	179"	6512	156" to 204"	11,300 lb.	179"
6503s	156" to 198"	10,000 lb.	179"	6512s	156" to 204"	10,300 lb.	179"



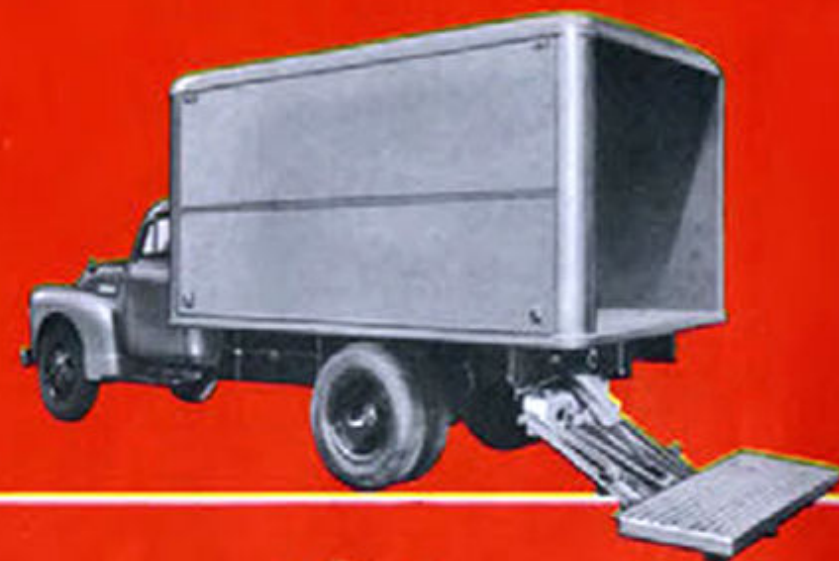
OF VOCATIONAL BODIES AND EQUIPMENT

FLAT-FACE COWL

CAB-OVER-ENGINE



Model	Body Length	Weight of Body and Payload	Wheel-base	Model	Body Length	Weight of Body and Payload	Wheel-base
3102	66" to 84"	2200 lb.	116"	5103	92" to 116"	11,200 lb.	110"
3602	72" to 98"	2800 lb.	125 1/4"	5103s	92" to 116"	10,200 lb.	110"
3802	92" to 124"	5300 lb.	137"	5403	120" to 168"	11,100 lb.	134"
4102	92" to 124"	9900 lb.	137"	5403s	120" to 168"	10,100 lb.	134"
4402	116" to 170"	9800 lb.	161"	5703	164" to 212"	11,000 lb.	158"
6102	92" to 124"	11,600 lb.	137"	5703s	164" to 212"	10,000 lb.	158"
6102s	92" to 124"	10,600 lb.	137"	Specifications for: Forward-Control Chassis, see pages 19 and 35. School Bus Chassis, see pages 30 and 35.			
6402	116" to 170"	11,500 lb.	161"				
6402s	116" to 170"	10,500 lb.	161"				
6502	156" to 204"	11,400 lb.	179"				
6502s	156" to 204"	10,400 lb.	179"				



S P E C I F I

CONVENTIONAL MODELS

S E R I E S	1500	3100	3600	3800	4100	4400	6100S	6100	6400S	6400	6500S	6500	
	Sedan Delivery	Chassis, Chassis and Cab, Pick-up, Panel, Carryall, Suburban, Canopy Express	Chassis, Chassis and Cab, Pick-up, Platform, Stake	Chassis, Chassis and Cab, Pick-up, Panel, Canopy Express, Platform, Stake	Chassis, Chassis and Cab, Platform, Stake	Chassis, Chassis and Cab, Platform and Stake	Chassis, Chassis and Cab, Platform, Stake	Chassis, Chassis and Cab, Platform, Stake	Chassis, Chassis and Cab, Platform and Stake	Chassis, Chassis and Cab, Platform and Stake	Chassis, Chassis and Cab	Chassis, Chassis and Cab	
WHEELBASE	115"	116"	123 1/4"	137"	137"	161"	137"	161"	179"	179"	179"	179"	
C. A. DIMENSION	—	39"	48 1/4"	60"	60"	84"	60"	84"	102"	102"	102"	102"	
GROSS VEHICLE WEIGHT, Maximum <small>(Maximum truck gross rating can be obtained only by adding Regular Production Options)</small>	4100 lb.	4800 lb.	5800 lb.	3804-5-7 7000 lb. others 8800 lbs.	14,000 lb.	14,000 lb.	15,000 lb.	16,000 lb.	15,000 lb.	16,000 lb.	15,000 lb.	16,000 lb.	
NOMINAL RATING	—	Half-ton	3/4-ton	One-ton	1 1/2-ton	1 1/2-ton	1 1/2-ton Special	2-ton	1 1/2-ton Special	2-ton	1 1/2-ton Special	2-ton	
FRAME	Type Box Girder	Channel						Channel					
	Side Rail—Size	4 3/8 x 2 1/4 x 1/4"	5 1/4 x 2 1/4 x 3/8"	5 3/8 x 2 1/4 x 3/8"	7 x 2 1/4 x 3/8"		8 3/8 x 2 3/8 x 1/4"						
	Number of Cross-members	3	5	5	5	6	5	6	6	6	7	7	
AXLE, REAR (Hypoid Gear)	Type	Semi-Floating			Full-Floating			Full Floating					
	Capacity	3000 lb.	3300 lb.	5000 lb.	7200 lb.	11,000 lb.	13,000 Pounds						
	Ratio	4.11 to 1	4.11 to 1	4.57 to 1 5.14 to 1 optional	5.14 to 1	6.17 to 1 (5.43 to 1 Optional)	6.17 to 1 (2-Speed—6.13 to 1 and 8.10 to 1 Optional at extra cost)						
AXLE, FRONT (I-Beam)	Rating	2300 lb.	2200 lb.	2500 lb.	3500 lb.	4000 lb.	4500 Pounds						
SPRINGS, REAR	Size	49 x 1 1/4"	54 x 1 1/4"	46 x 2"		46 x 2 1/2"							
	Number of Leaves	8—(8 leaf, 1600 lb. optional)	8 (9 leaf, optional)	7—Two-stage (8 leaf, optional)	8 Two-stage	11 11 leaf Two-stage, optional							
	Auxiliary Springs	None			Optional at Extra Cost			Yes, 6 Leaves, 31 x 2 1/2"					
	Capacity in Pounds, (At Ground) Each	1180	1450	2000	2500	4465	7800						
SPRINGS, FRONT	Size	.59 Dia. Bar	38 x 1 1/4"		40 x 2"			40 x 2"					
	Number of Leaves	Coil	8		7	(8 optional)	9						
	Capacity in Pounds, (At Ground) Each	1060	1000	1150	1740	(1740)	2200						
TIRES, REAR	Regular	6.70-15, 4 pr Single With Spare	6.00-16, 6 pr Single With Spare	15", 6 pr Single	7.00-17, 8 pr Single	6.50-20, 6 pr Dual	7.50-20, 8 pr Dual						
	Maximum	6.70-15, 6 pr Single With Spare	15", 6 pr Single With Spare	7.50-17, 8 pr Single	7.50-17, 8 pr Single, All Mod. 7.00-18, 8 pr DI. Exc. 3804-5 & 7	7.50-20, 10 pr Dual	9.00-20, 10 pr Dual						
TIRES, FRONT, Single	Regular	6.70-15, 4 pr	6.00-16, 6 pr	15", 6 pr	7.00-17, 6 pr	6.50-20, 6 pr	7.50-20, 8 pr						
	Maximum	6.70-15, 6 pr	15", 6 pr	7.50-17, 8 pr	7.50-17, 8 pr with Single Rr. 7.00-18, 8 pr with Dual Rear	7.50-20, 10 pr	8.25-20, 10 pr if 9.00-20, 10 pr on rear 8.25-20, 12 pr if 8.25-20, 12 pr on rear						
ENGINE, 6 Cylinder, Valve-in-Head	216.5 Cubic Inches, Standard						<small>(Heavy-duty, 233.3 cu. in. opt. on 4000 Series)</small>			Heavy-Duty; 235.5 Cubic Inches, 6 Cylinders, Valve-in-Head			
	Gross Torque, Maximum	176 Foot-Pounds, 1000 to 2000 RPM						<small>(200 Ft.-Lbs. at 2000 RPM, Opt. Engine)</small>			200 Foot-Pounds at 2000 RPM		
	Gross Horsepower, Maximum	92 at 3400 RPM, Standard Engine						<small>(108 at 3600 RPM, Optional Engine)</small>			108 at 3600 RPM		
	Net Horsepower, Maximum	85 at 3300 RPM						<small>(103 at 3500 RPM, Optional Engine)</small>			103 at 3500 RPM		
COOLING SYSTEM	Harrison Ribbed Cellular Core, 15 Qt.; Self-Adj. Centrifugal Pump; 16 Qt. Opt. on all except 1500 & 3100						Harrison Ribbed Cellular Core, 16 Qt.; Self-Adj. Cent. Pump (17 Qt. Opt. ex. cost)						
GOVERNOR	Optional at Extra Cost						Optional at Extra Cost						
AIR CLEANER	Combination Silencer & Flame Arrester Type, Oil Bath Type Optional at extra cost						Oil Bath Type						
CLUTCH, Single Disc, Diaphragm Spring	9 1/4" Diameter, 210 Ft.-Lb. Torque 10 1/4" Diameter, Optional at Extra Cost			10 1/4" Diameter, 210 Foot-Pounds Torque			10 1/4" Diameter, 210 Foot-Pounds Torque						
TRANSMISSION	3-Speed Synchro-Mesh 4-Speed Synchro-Mesh Optional on 3100 and 3600						4-Speed Synchro-Mesh, Provision for Power Take-off on Left Side						
GEAR SHIFT CONTROL LEVER	On Steering Column, Manual						In Floor of Driver's Compartment (Mounted on transmission)						
DRIVE SYSTEM	Torque-tube						Hotchkiss			Hotchkiss			
BRAKES, SERVICE	Front	11" x 2"	12" x 2"	12" x 2"	14" x 2 1/2"			15" x 4"					
	Rear	11" x 1 1/4"	12" x 2"	14" x 2 1/2"	15" x 4"			15" x 4"					
	Total Lining Area, Sq. In.	158	186	230	375			375					
	Hydrovac Power Brake	None						Optional at Extra Cost			Yes		
	Parking	Hand Operated	Foot-pedal Operated			Hand Operated on Propeller Shaft			Double-acting available at extra cost				
SHOCK ABSORBERS	Front	Direct Double-acting						None					
	Rear	Direct Double-acting			Direct D.-A., Opt.	Double-Acting, Optional			None				
STEERING GEAR	Ratio	19.4 to 1	26.24 to 1			27.76 to 1							
FUEL TANK	Capacity, Gallons	16	16, except cabs 17 1/2			18, except cabs 17 1/2							

Chevrolet Motor Division, General Motors Corporation, Detroit 2, Michigan, reserves the right to make changes at any time, without notice, in prices, colors, materials,

C A T I O N S

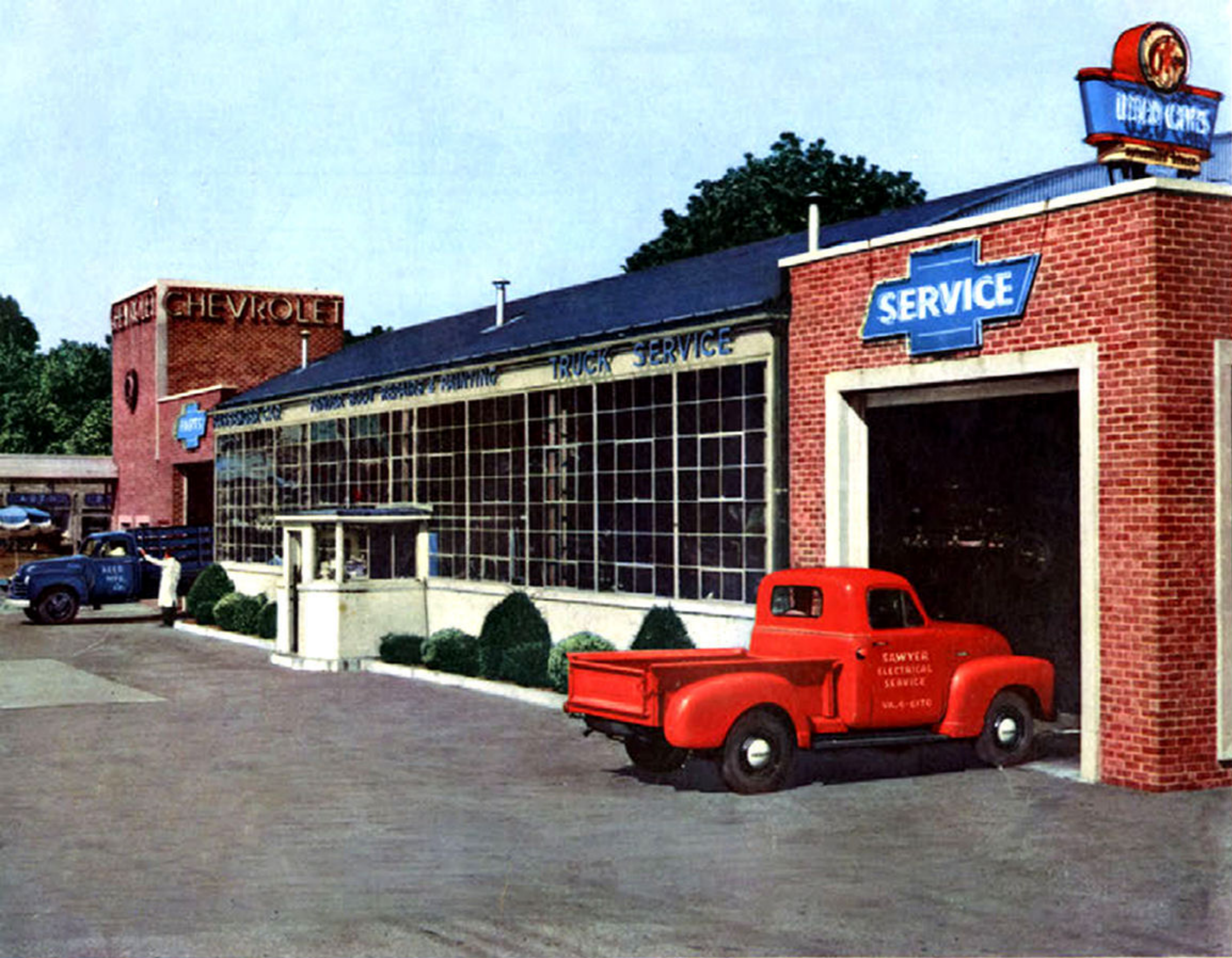
CAB-OVER-ENGINES MODELS

CHASSIS FOR SCHOOL BUSES

FORWARD CONTROL MODELS

5100S	5100	3400S	3400	5700S	5700	3802	4502	6702	6802	3742	3942	SERIES
Chassis and Cab		Chassis and Cab, Platform and Stake		Chassis and Cab		Chassis with Flat-Face Cowl				Chassis, Dual-Duty Forward-Control		
110"		134"		158"		137"	161"	199"	212"	125 1/4"	137"	WHEELBASE
60 1/2"		84 1/2"		108 1/2"		—	—	—	—	—	—	C. A. DIMENSION
15,000 lb.	16,000 lb.	15,000 lb.	16,000 lb.	15,000 lb.	16,000 lb.	7,600 lb. 16 pupils	12,000 lb. 30 to 36 pupils	16,000 lb. 42-48 pupils 42-54 pupils		7,000 lb.	10,000 lb.	GROSS VEHICLE WEIGHT, Maximum (Maximum truck gross rating can be obtained only by adding Regular Production Options)
1 1/2-ton, Special	2-ton	1 1/2-ton, Special	2-ton	1 1/2-ton, Special	2-ton	—	—	—		3/4-ton	One-ton	NOMINAL RATING
Channel		Channel		Channel		Channel		Channel		Channel		Type
8 3/4 x 2 3/8 x 1/4"		8 3/4 x 2 3/8 x 1/4"		8 3/4 x 2 3/8 x 1/4"		7 x 2 3/4 x 7/32"	8 3/4 x 2 3/8 x 1/4"	8 1/4 x 2 3/8 x 9/32"	5 7/8 x 2 1/4 x 9/16"	7 x 2 3/4 x 7/32"	7 x 2 3/4 x 7/32"	FRAME
5	5	5	5	6	6	5	8	9	9	5	5	Side Rail—Size
Full-Floating		Full-Floating		Full-Floating		Full-Floating		Full-Floating		Full-Floating		Type
13,000 Pounds		13,000 Pounds		13,000 Pounds		7200 lb.	11,000 lb.	13,000 lb.	13,000 lb.	5000 lb.	7200 lb.	AXLE, REAR (Hypoid Gear)
6.17 to 1 (2-Speed, 6.13 to 1 and 8.10 to 1, Optional at Extra Cost)		6.17 to 1 (2-Speed, 6.13 to 1 and 8.10 to 1, Optional at Extra Cost)		6.17 to 1 (2-Speed, 6.13 to 1 and 8.10 to 1, Optional at Extra Cost)		5.14 to 1	6.17 to 1 3.43 to 1 Optional	6.17 to 1 2-Speed Optional	6.17 to 1 2-Speed Optional	5.14 to 1	5.14 to 1	Ratio
4500 Pounds		4500 Pounds		4500 Pounds		3500 lb.	4500 lb.	4500 lb.	4500 lb.	3500 lb.	3500 lb.	Rating
46 x 2 1/2"		46 x 2 1/2"		46 x 2 1/2"		46 x 2"	46 x 2 1/2"	46 x 2 1/2"	46 x 2 1/2"	46 x 2"	46 x 2"	Size
11		11		11		9	11	11	11	8	8	SPRINGS, REAR
Yes, 6 Leaves, 31 x 2 1/2"		Yes, 6 Leaves, 31 x 2 1/2"		Yes, 6 Leaves, 31 x 2 1/2"		None	None	None	None	Opt. at extra cost	Opt. at extra cost	Auxiliary Springs
7800		7800		7800		2650	5600	5600	5600	2250	2250	Capacity in Pounds, (At Ground) Each
40 x 2"		40 x 2"		40 x 2"		40 x 2"	40 x 2"	40 x 2"	40 x 2"	40 x 2"	40 x 2"	Size
9	11	9	11	7	9	7	9	9	9	8	8	Number of Leaves
2200	2400	2200	2400	1740	2200	1740	2200	2200	2200	1740	1740	Capacity in Pounds, (At Ground) Each
7.50-20, 8 pr Dual		7.50-20, 8 pr Dual		7.50-20, 8 pr Dual		See Maximum	6.50-20, 6 pr Dual	7.50-20, 8 pr Dual	7.50-20, 8 pr Dual	15", 6 pr Single	7.00-17, 6 pr Single	TIRES, REAR
9.00-20, 10 pr Dual		9.00-20, 10 pr Dual		9.00-20, 10 pr Dual		7.50-17, 10 pr Single Only	7.00-20, 10 pr Dual	8.25-20, 12 pr Dual	8.25-20, 12 pr Dual	7.50-17, 8 pr Single	7.00-18, 8 pr Dual	Maximum
7.50-20, 8 pr		7.50-20, 8 pr		7.50-20, 8 pr		7.50-17, 8 pr	6.50-20, 6 pr	7.50-20, 8 pr	7.50-20, 8 pr	15", 6 pr	7.00-17, 6 pr	TIRES, FRONT, Single
8.25-20, 10 pr if 9.00-20, 10 pr on rear 8.25-20, 12 pr if 8.25-20, 12 pr on rear		8.25-20, 10 pr if 9.00-20, 10 pr on rear 8.25-20, 12 pr if 8.25-20, 12 pr on rear		8.25-20, 10 pr if 9.00-20, 10 pr on rear 8.25-20, 12 pr if 8.25-20, 12 pr on rear		7.50-17, 10 pr Single Only	7.00-20, 10 pr	8.25-20, 12 pr	8.25-20, 12 pr	7.50-17, 8 pr	7.50-17, 8 pr with Single Rear 7.00-18, 8 pr with Dual Rear	Maximum
Heavy-Duty; 235.5 Cubic Inches		Heavy-Duty; 235.5 Cubic Inches		Heavy-Duty; 235.5 Cubic Inches		216.5 Cu. In.	216.5 Cu. In. Standard 235.5 Cu. In. Optional	235.5 Cu. In. Heavy-Duty	235.5 Cu. In. Heavy-Duty	235.5 Cubic Inches	235.5 Cubic Inches	ENGINE, 6 Cylinder, Valve-in-Head
196 Ft.-Lb. at 1000 RPM		196 Ft.-Lb. at 1000 RPM		196 Ft.-Lb. at 1000 RPM		176 Ft.-Lb. 1000-2000 RPM	176 Ft.-Lb. 1000-2000 RPM	200 Ft.-Lb.	200 Ft.-Lb.	196 Ft.-Lb. at 1000 RPM	196 Ft.-Lb. at 1000 RPM	Gross Torque, Maximum
107 at 3600 RPM		107 at 3600 RPM		107 at 3600 RPM		92 at 3400 RPM	92 at 3400 RPM	108 at 3600 RPM	108 at 3600 RPM	107 at 3600 RPM	107 at 3600 RPM	Gross Horsepower, Maximum
102 at 3500 RPM		102 at 3500 RPM		102 at 3500 RPM		85 at 3300 RPM	85 at 3300 RPM	103 at 3500 RPM	103 at 3500 RPM	102 at 3500 RPM	102 at 3500 RPM	Net Horsepower, Maximum
Harrison Ribbed Cellular Core, 16 Qt.; Self-Adj. Cent. Pump (17 Qt. Opt. ex. cost)		Harrison Ribbed Cellular Core, 16 Qt.; Self-Adj. Cent. Pump (17 Qt. Opt. ex. cost)		Harrison Ribbed Cellular Core, 16 Qt.; Self-Adj. Cent. Pump (17 Qt. Opt. ex. cost)		15-Quart (16-qt. Opt.)	15-Quart (16-qt. Opt.)	16 Qt. (17 Qt. Opt.)	16 Qt. (17 Qt. Opt.)	15-Quart; Self-Adj. Pump	15-Quart; Self-Adj. Pump	COOLING SYSTEM
Optional at Extra Cost		Optional at Extra Cost		Optional at Extra Cost		Opt. at Extra Cost	Governed at 35 Miles per Hour	Governed at 35 Miles per Hour	Governed at 35 Miles per Hour	None	None	GOVERNOR
Oil Bath Type		Oil Bath Type		Oil Bath Type		Yes; Oil Bath Type, Optional	Oil Bath Type	Oil Bath Type	Oil Bath Type	Yes; Oil Bath Type, Optional	Yes; Oil Bath Type, Optional	AIR CLEANER
10 1/4" Diameter, 210 Foot-Pounds Torque		10 1/4" Diameter, 210 Foot-Pounds Torque		10 1/4" Diameter, 210 Foot-Pounds Torque		10 1/4" Diameter, 210 Foot-Pounds Torque	10 1/4" Diameter, 210 Foot-Pounds Torque	10 1/4" Diameter, 210 Foot-Pounds Torque	10 1/4" Diameter, 210 Foot-Pounds Torque	10 1/4" Diameter, 210 Foot-Pounds Torque	10 1/4" Diameter, 210 Foot-Pounds Torque	CLUTCH, Single Disc, Diaphragm Spring
4-Speed Synchro-Mesh; Provision for Power Take-off on Left Side		4-Speed Synchro-Mesh; Provision for Power Take-off on Left Side		4-Speed Synchro-Mesh; Provision for Power Take-off on Left Side		4-Speed Synchro-Mesh; Provision for Power Take-off on Left Side	4-Speed Synchro-Mesh; Provision for Power Take-off on Left Side	4-Speed Synchro-Mesh; Provision for Power Take-off on Left Side	4-Speed Synchro-Mesh; Provision for Power Take-off on Left Side	3-Speed 4-Speed, Optional	4-Speed	TRANSMISSION
Mounted on Cab Floor Tunnel		Mounted on Cab Floor Tunnel		Mounted on Cab Floor Tunnel		On Transmission in Floor of Driver's Compartment	On Transmission in Floor of Driver's Compartment	On Transmission in Floor of Driver's Compartment	On Transmission in Floor of Driver's Compartment	On Steering Col.	On Transmission	GEAR SHIFT CONTROL LEVER
Hotchkiss		Hotchkiss		Hotchkiss		Hotchkiss	Hotchkiss	Hotchkiss	Hotchkiss	Hotchkiss	Hotchkiss	DRIVE SYSTEM
14" x 2 1/2"		14" x 2 1/2"		14" x 2 1/2"		12" x 2"	14" x 2 1/2"	14" x 2 1/2"	14" x 2 1/2"	12" x 2"	12" x 2"	Front
15" x 4"		15" x 4"		15" x 4"		14" x 2 1/2"	15" x 4"	15" x 4"	15" x 4"	12" x 2"	14" x 2 1/2"	Rear
375		375		375		230	375	375	375	186	230	Total Lining Area, Sq. In.
Yes		Yes		Yes		None	Opt. at Extra Cost	Yes	Yes	None	None	Hydrovac Power Brake
Hand Operated on Propeller Shaft		Hand Operated on Propeller Shaft		Hand Operated on Propeller Shaft		Foot Operated	Hand Operated on Propeller Shaft	Hand Operated on Propeller Shaft	Hand Operated on Propeller Shaft	Foot-Pedal Operated	Foot-Pedal Operated	Parking
Double-acting, Optional		Double-acting, Optional		Double-acting, Optional		Direct Double Act.	Double Acting, Optional	Double Acting, Optional	Double Acting, Optional	Direct Double Acting	Direct Double Acting	Front
Double-acting, Optional		Double-acting, Optional		Double-acting, Optional		Direct Dbl. Act. Opt.	Double Acting, Optional	Double Acting, Optional	Double Acting, Optional	Direct Double Act.	Dbl. Act. Opt.	Rear
27.76 to 1		27.76 to 1		27.76 to 1		26.24 to 1	27.76 to 1	27.76 to 1	27.76 to 1	19.8 to 1	19.8 to 1	Ratio
18, except Cabs 17 1/2		18, except Cabs 17 1/2		18, except Cabs 17 1/2		18	30	30	30	16	16	Capacity, Gallons
												FUEL TANK

equipment, specifications and models, and also to discontinue models. This right may be exercised without incurring any responsibility with regard to cars or trucks previously sold.



USERS of Chevrolet trucks have the dual advantage of outstanding truck value and the ready availability of truck service. Conveniently located Chevrolet dealers in every community offer the services of Chevrolet-trained mechanics using genuine Chevrolet parts and modern tools and equipment to keep your Chevrolet trucks operating efficiently and at low cost.