



POLARA CUSTOM 4-DOOR HARDTOP

1973 POLARA / MONACO



MONACO 2-DOOR HARDTOP

SELECTED POLARA/MONACO OPTIONS

360 2-bbl. V8 engine (Polara)
 400 2-bbl. V8 engine
 440 4-bbl. V8 engine
 Air conditioning
 Automatic speed control
 Electric clock (std. on Monaco)
 Rear window defogger
 Sure Grip differential
 Emission Control Package (mandatory in California only)
 Tinted glass, all windows
 Cornering lights
 Outside right mirror
 Outside left remote-control mirror
 Door-edge protectors
 Electric deck lid release
 Power electric door locks
 Power seat
 Power windows
 Music Master AM radio
 AM/FM monaural radio
 AM radio with stereo cassette
 AM/FM multiplex stereo radio, with or without tape cassette
 Single rear speaker (NA with stereo)
 Dual rear speakers (stereo only)
 Security Alarm System (requires power door locks)
 Tilt "Rim Blow" steering wheel
 Front sway bar
 Heavy-duty shocks
 Carpeted trunk and spare tire cover
 Undercoating and hood insulator pad
 Upper level ventilation (NA with air conditioning)
 Front window vents (available on 4-door models only)
 Vinyl roof
 3-speed windshield wipers and electric washers
 Deluxe wheel covers (Polara)

Premier wheel covers
 Road wheel with chrome trim ring
 White sidewall bias-belted tires
 White sidewall steel-belted radial tires

OPTIONAL PACKAGES

Light Package. (Includes an instrument-panel courtesy light, an instrument-panel flood light with time delay, an ignition light with time delay, fender-mounted turn signals, a "Low Fuel" indicator light, and a "Lock Door" reminder light, plus the following items which are standard on Monaco, optional on all Polara and Polara Custom models: ashtray and glove box lights, a map/dome light, trunk or cargo compartment light, a rear door light switch, and a "Headlight-on" warning buzzer.)

Monaco Brougham Package. (See left inside panel for details.)

E-Z Order Package. (This package is available on the Monaco and Polara Custom only, and includes a vinyl roof, an AM radio, rear seat speaker, whitewall tires, an electric clock (std. on Monaco), the Light Package listed above, an outside left remote-control mirror, 3-speed windshield wipers, undercoating and a hood insulator pad, and deluxe wheel covers on the Polara Custom, or premier wheel covers on the Monaco.)

Heavy-Duty Package. (Includes a heavy-duty suspension, extra-wide wheel rims, and a maximum

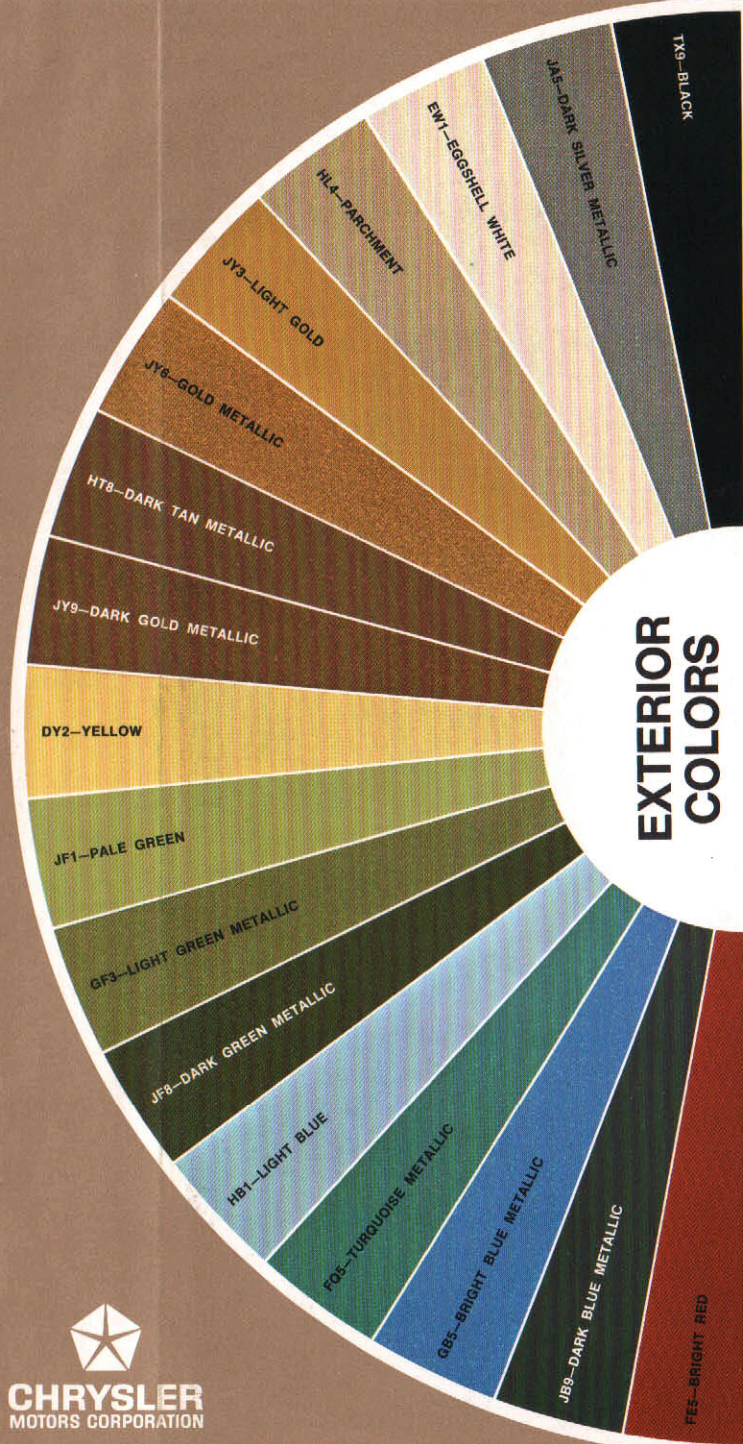
cooling system consisting of a high-capacity radiator, a fan shroud, and a coolant reserve system.)

Trailer Wiring Package. (Includes a 7-wire trailer wiring harness, variable-load turn signal flasher, and a 60-amp heavy-duty Chrysler alternator.)

Trailer-Towing Package. (This package requires optional H78 x 15 tires and is not available on models equipped with the 318 V8 engine. It includes the following items: all the equipment listed under the Heavy-Duty and Trailer Wiring Packages, a heavy-duty 3.23:1 axle ratio, and an auxiliary transmission oil cooler.)

Luxury Equipment Package. (Available on Polara Custom and all Monacos, this package includes a vinyl center armrest seat, a cloth-and-vinyl "50/50" front seat on 4-door sedans and hardtops except Polara Custom, an all-vinyl "50/50" seat on station wagons except the Polara Custom, air conditioning, tinted glass, an AM/FM radio, power windows, a power front seat, power door locks, a power deck lid release except on wagons, a tailgate Auto-Lock on wagons only, manual vent windows on all 4-door models, a right outside mirror, a rear window defogger except on wagons, sill mouldings, assist handles on wagons only, and all the E-Z Order Package items.)

EXTERIOR COLORS



Extra care in engineering makes a difference in Dodge...depend on it.



customer
care



KEEP YOUR
CAR
"FACTORY NEW"
WITH GENUINE
MOPAR PARTS.

All product illustrations and specifications are based on authorized information. Although all descriptions are believed correct at publication approval, accuracy cannot be guaranteed. Some of the equipment shown on product illustrations is optional at extra cost. Dodge Division reserves the right to make changes from time to time, without notice or obligation, in prices, specifications, colors and materials, and to change or discontinue models.

FORM NO. 81-205-303.

LITHO IN U.S.A. 8/72.



Dodge


CHRYSLER
 MOTORS CORPORATION

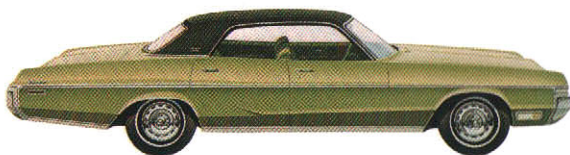


For those who insist on the very best: Monaco Brougham.

When it comes to luxurious appointments, Monaco Brougham is the top of the line. The Brougham package is available on the Monaco four-door sedan and the Monaco four-door hardtop, and includes the following items: a vinyl roof with a "Brougham" nameplate, cornering lights, a 50/50 cloth-and-vinyl front seat with a passenger recliner and rear seat center armrest, a carpeted trunk and spare tire cover, plus sill and sill extension mouldings.



MONACO BROUGHAM 4-DOOR SEDAN.



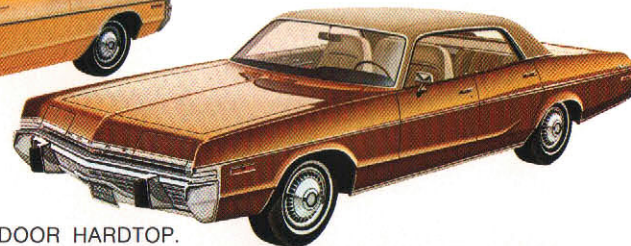
MONACO BROUGHAM 4-DOOR HARDTOP.

1973 MONACO. THE BIG DODGE THAT IS CREATING A QUIET SENSATION.

Dodge Monaco has quietly grown into one of America's most rewarding cars. And for good reason. Simply stated, Monaco is one of America's roomiest and most luxurious automobiles. Each Monaco is built with careful attention to strength, solidity, and silence—the hallmarks of any outstanding luxury automobile. Front-door assist handles, carpeted lower door panels, and a comfortable cloth-and-vinyl front seat and center armrest are among the touches of luxury included in Monaco's interior appointments. Power steering, power front disc brakes, and an automatic transmission are nice additional touches that come on every Monaco. If you're ready to reward yourself, move up to a 1973 Monaco.



MONACO 4-DOOR SEDAN.



MONACO 4-DOOR HARDTOP.

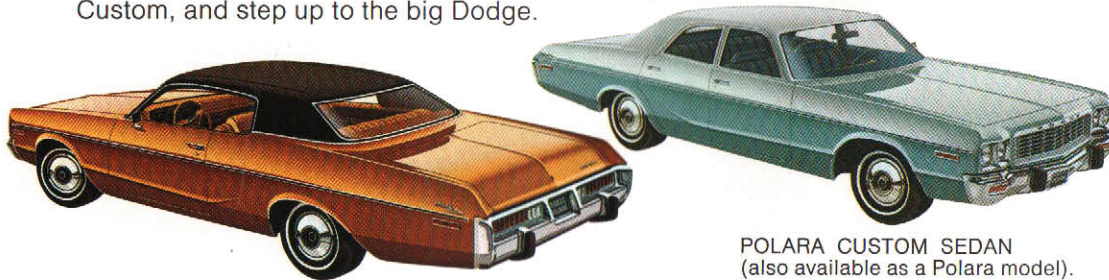


Monaco's interior sets the standard for the level of luxury Dodge designs into every Monaco.

1973 POLARA. THE BIG DODGE PAYS EXTRA DIVIDENDS IN SIZE, LUXURY, AND VALUE.

We built Polara on the premise that big is beautiful. Polara's new front and rear styling prove it's true. We also built in more value than you're probably used to expecting in a car priced this reasonably.

Polara's Electronic Ignition System gives you more dependable performance and reduced maintenance costs. There's also Torsion-Quiet Ride, a combination of suspension and sound-deadening elements specially designed to smooth out rough, bumpy roads. Welded Unibody construction makes a difference you won't hear, because those annoying rattles are less likely to appear. And those once-optional features, power steering, power front disc brakes, and the automatic transmission are standard on every Polara. Sound interesting? If you're looking for one of the roomiest cars in America, take your pick of a Polara or Polara Custom, and step up to the big Dodge.



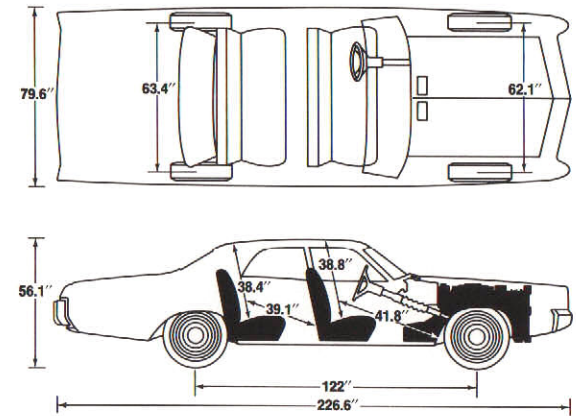
POLARA CUSTOM HARDTOP (also available as a Polara model).

POLARA CUSTOM SEDAN
(also available as a Polara model).



Polara Custom's interior is more luxurious than Polara's, yet still puts the accent on comfort and roominess.

POLARA DIMENSIONS



LUGGAGE CAPACITY

LADY'S PULLMAN	●
LADY'S WARDROBE	●
LADY'S OVERNIGHT BAGS	● ● ● ● ● ● ● ●
LADY'S TRAIN CASES	● ●
MAN'S TWO-SUITERS	● ● ● ●
MAN'S OVERNIGHT BAGS	● ● ● ●
BAG OF GOLF CLUBS	●

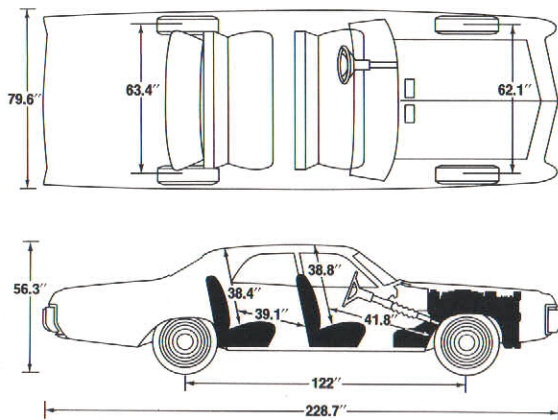
STANDARD SPECIFICATIONS

ENGINE:	318 V8
TRANSMISSION:	TorqueFlite 3-speed automatic
SUSPENSION:	Torsion-Quiet Ride, including torsion-bar front suspension, and asymmetrical rear leaf springs
TIRES:	G78 x 15 BSW, bias-belted
WHEELS:	15 x 5.0
BRAKES:	Front: Power disc; rear: 11" x 2" drum
ELECTRICAL SYSTEM:	Battery: 280-ampere (46-amp-hr) Alternator: 41-amp Electronic Ignition System Transistorized voltage regulator
FUEL TANK:	23 gallons
TRUNK CAPACITY:	22.4 cu. ft.

REAR AXLE AVAILABILITY

ENGINE	TRANSMISSION	STD.	OPT.
318 V8	TorqueFlite	2.71	3.23

MONACO DIMENSIONS



LUGGAGE CAPACITY

LADY'S PULLMAN	●
LADY'S WARDROBE	●
LADY'S OVERNIGHT BAGS	●●●●●●●●
LADY'S TRAIN CASES	●●
MAN'S TWO-SUITERS	●●●●
MAN'S OVERNIGHT BAGS	●●●●
BAG OF GOLF CLUBS	●

STANDARD SPECIFICATIONS

ENGINE:	360 V8
TRANSMISSION:	TorqueFlite 3-speed automatic
SUSPENSION:	Torsion-Quiet Ride, including torsion-bar front suspension and asymmetrical rear leaf springs
TIRES:	H78 x 15 BSW, bias-belted
WHEELS:	15 x 5.5
BRAKES:	Front: power disc; rear: 11" x 2" drum
ELECTRICAL SYSTEM:	Battery: 315-ampere (55-amp-hr) Alternator: 41-amp Electronic Ignition System, high-speed starter, transistorized voltage regulator
FUEL TANK:	23 gallons
TRUNK CAPACITY:	22.4 cu. ft.

REAR AXLE AVAILABILITY

ENGINE	TRANSMISSION	STD.	OPT.
360 V8	TorqueFlite	2.71	3.23

STANDARD EQUIPMENT

INTERIOR FEATURES

Cloth-and-vinyl split-back front bench seat with center armrest, available in Blue, Green, Parchment, Black, and Gold (Monaco)

Cloth-and-vinyl front bench seat, available in Green, Black, and Gold (Polara); and Blue, Green, Black, Gold (Polara Custom)

Front and rear armrests on doors and quarter trim panels

Simulated wood-grained door-trim inserts (Polara Custom)

Simulated wood-grained door-trim inserts with carpeted lower panel and assist handles (Monaco)

3-spoke color-keyed steering wheel (with simulated wood-grained insert on Polara Custom and Monaco)

Simulated wood-grained applique surrounding instrument cluster and lower panel wood-grained applique (on Polara Custom and Monaco)

Glove box lock

Inside hood release

Cigarette lighter

Color-keyed carpeting

Keyless door-locking system

Heater/defroster with 3-speed fan

Leather-grained black vinyl instrument cluster applique

Electric clock (Monaco)

Instrument panel ash receiver light (Monaco)

Glove box light (Monaco)

Rear door automatic dome light switch (Monaco)

"Headlight-on" warning buzzer (Monaco)

Combination dome and map light (Monaco)

Pedal dress-up (Monaco)

Trunk light (Monaco)

Full-foam front seat cushions

Front and rear ashtrays

EXTERIOR FEATURES

Power steering

Power front disc brakes

Ventless front windows

2-speed concealed windshield wipers

Electric windshield washers

Concealed headlights (Monaco)

Deluxe wheel covers (Monaco)

Dual horns

SAFETY FEATURES

Cleaner Air System with Vapor Saver (gasoline evaporation control system)

Antitheft steering column lock

Backup lights

Breakaway front ashtray

Combination side markers, light reflectors

Dual Braking System

Extra-protection bumper system

Energy-absorbing steering column and steering wheel

3-point safety belt system with locking retractors

Hazard warning system

Head restraints

"Key-left-in-ignition" warning buzzer

Manual latches on folding front seatbacks

Left outside mirror

Inside day/night rearview mirror with double-ball-joint safety mount

Nonoverride door locks, except on driver's door

Padded instrument panel and sun visors

Parking brake

Parking brake and master cylinder warning light

Safety-Action inside door handles

Safety-Rim wheels

Soft knobs on window cranks

Turn signals with lane-change feature

Windshield wipers and washers



POLARA 2-DOOR HARDTOP.



POLARA 4-DOOR SEDAN.



POLARA CUSTOM 2-DOOR HARDTOP.



POLARA CUSTOM 4-DOOR SEDAN.



POLARA CUSTOM 4-DOOR HARDTOP.



MONACO 2-DOOR HARDTOP.



MONACO 4-DOOR SEDAN.



MONACO 4-DOOR HARDTOP.



MONACO BROUGHAM 4-DOOR SEDAN.



MONACO BROUGHAM 4-DOOR HARDTOP.

1973 POLARA/MONACO