

2019
IMPREZA



Impreza. More than a car, it's a Subaru.

 **SUBARU**
Confidence in Motion



It's your world. **Claim it.**

Ready to go all out, the 2019 Impreza is built to last, protect and get you where you want to go. The Impreza sedan and 5-door boast bold designs, advanced safety features and a drive that's fully connected, thanks to SUBARU STARLINK™ Multimedia with standard Apple CarPlay™ and Android™ Auto app integration. Plus, with standard Subaru Symmetrical All-Wheel Drive and up to 38 highway MPG¹, you're free to go nearly anywhere you want. Impreza. More than a car, it's a Subaru.

¹ EPA-estimated fuel economy for 2019 Impreza sedan models with Lineartronic® CVT at 38 highway MPG. Excludes Sport models. Actual mileage may vary.

Impreza Limited 5-door in Crimson Red Pearl and 2.0i Sport sedan in Magnetite Gray Metallic with optional equipment.



1 Based on the average of vehicles in operation vs. new registrations for each model year using IHS Markit data as of December 2017 in the Non-Luxury Traditional Compact segment for MY2008-2017. 2 Based on IHS Markit U.S. vehicles in operation vs. total new registrations for MY2008-2017 ending in December 2017. 3 Availability varies by trim level. See your retailer. 4 EyeSight is a driver assist technology, which may not operate optimally under all driving conditions. The driver is always responsible for safe and attentive driving. System effectiveness depends on many factors such as vehicle maintenance, weather and road conditions. See Owner's Manual for complete details on system operations and limitations. 5 Blind-Spot Detection, Lane Change Assist and Rear Cross-Traffic Alert are systems designed to assist the driver by monitoring the rear and side areas of the vehicle during a lane change or reversing and are not a substitute for safe and attentive driving. 6 Activation with subscription required. Includes a 3-year trial subscription to Safety Plus services and a 6-month trial subscription to Safety and Security Plus services. The Concierge plan can be purchased annually or monthly. A credit card on file will be required for specific packages and for renewal purposes. See your retailer for details. 7 EPA-estimated fuel economy for 2019 Impreza sedan models with Lineartronic® CVT at 38 highway MPG. Excludes Sport models. Actual mileage may vary. 8 Driving range based on a 13.2-gallon fuel tank capacity and EPA-estimated highway fuel economy for 2019 Subaru Impreza models equipped with Lineartronic® CVT. Actual driving range may vary. 9 Compatible smartphone and applications required. For applications to operate, latest version of each application is required. Data provided by smartphone is displayed on the audio system screen. Some state laws prohibit the operation of handheld electronic devices while operating a vehicle. Smartphone apps should only be launched when vehicle is safely parked. Your wireless carrier's rates may apply. 10 Requires Keyless Access with Push-Button Start. Climate Control on Limited models only. See your retailer for details.

Get more of what you want.

Subaru Impreza is the longest-lasting vehicle in its class.¹



Long-Lasting

The Impreza was built to inspire your trust. You can count on the Subaru Global Platform, built with high-strength steel for high crash-energy absorption. You also have the famously reliable SUBARU BOXER® engine with standard Subaru Symmetrical All-Wheel Drive. And because 96% of Subaru Impreza cars sold in the last 10 years are still on the road today;² you can be confident that your Impreza is ready for every twist and turn ahead.



Safety-Focused

The 2019 Impreza is available with the latest in safety tech. EyeSight® Driver Assist Technology,^{3,4} Blind-Spot Detection and Rear Cross-Traffic Alert^{3,5} are available to help you spot and avoid danger. You can also add LED Steering Responsive Headlights (SRH) with High Beam Assist (HBA) to help you maximize your visibility when driving at night.³ And for even more peace of mind, the latest SUBARU STARLINK™ Safety and Security system with Advanced Automatic Collision Notification is available.^{3,6}



Fuel-Efficient

Responsive power and exceptional fuel economy give you extra fun without added cost in the 2019 Impreza. It achieves up to 38 highway MPG⁷ with standard Subaru Symmetrical All-Wheel Drive, thanks to its reliable 152-hp SUBARU BOXER® engine with direct injection. Plus, it can go more than 450 miles on a full tank, making it that much easier to roam as you please.⁸



Well-Connected

Take your favorite content almost anywhere you go. The Impreza features SUBARU STARLINK™ Multimedia with standard Apple CarPlay™ and Android™ Auto app integration.⁹ For added convenience, all-new Remote Engine Start with Climate Control¹⁰ and STARLINK™ Concierge Services are available.⁹

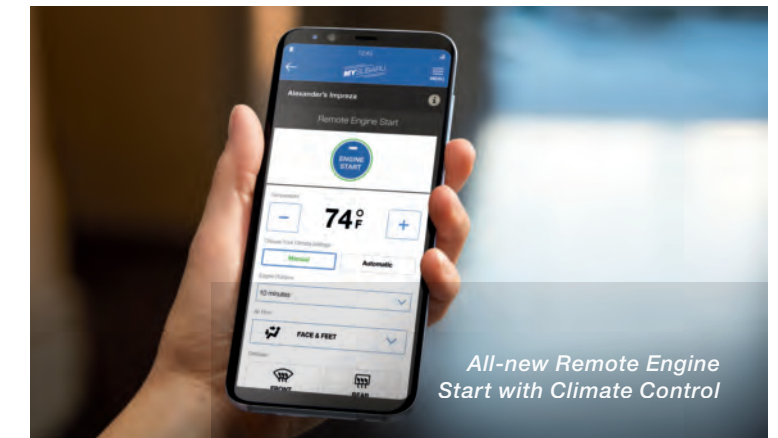


Impreza Sport sedan in Lithium Red Pearl with optional equipment.

Hi-Tech Cabin

Come on in and play. The 2019 Impreza features SUBARU STARLINK™ Multimedia with standard Apple CarPlay™, Android™ Auto and Pandora® app integration.¹ The available voice-activated navigation system powered by TomTom® features an easy-to-use 8-inch touchscreen.² And the latest STARLINK™ Safety and Security system now includes the all-new Remote Engine Start with Climate Control feature.^{3,4} Accessible via your smartphone, it can help ensure your Impreza is ready and comfortable. And the new STARLINK™ Concierge Services can help with tasks like navigation, restaurant reservations and scheduling service appointments.³

You can hear every note of your favorite tunes with the available 8-speaker 432-watt-equivalent Harman Kardon® premium audio system.² There's also Keyless Access with Push-Button Start² that not only makes getting on your way a breeze, it even smartly prevents you from locking your keys in your car.



1 Compatible smartphone and applications required. For applications to operate, latest version of each application is required. Data provided by smartphone is displayed on the audio system screen. Some state laws prohibit the operation of handheld electronic devices while operating a vehicle. Smartphone apps should only be launched when vehicle is safely parked. Your wireless carrier's rates may apply. 2 Availability varies by trim level. See your retailer. 3 Activation with subscription required. Includes a 3-year trial subscription to Safety Plus services and a 6-month trial subscription to Safety and Security Plus services. The Concierge plan can be purchased annually or monthly. A credit card on file will be required for specific packages and for renewal purposes. See your retailer for details. 4 Requires Keyless Access with Push-Button Start. Climate Control on Limited models only. See your retailer for details.



Room to push limits.

Invite possibilities, not excuses, in the spacious Impreza. Enjoy up to 99.8¹ cubic feet of passenger space in the sedan and up to 100.9¹ cubic feet in the 5-door. Both body styles include large cargo areas, and the 5-door provides a wide rear gate opening for added convenience. Plus, you can adjust the 60/40-split flat-folding rear seatbacks in an instant to accommodate longer items and a rear passenger on the same trip. Designed for comfort, the Impreza also includes available features such as a 6-way power driver's seat, heated front seats, a leather-trimmed steering wheel, shift knob and seats.² And you can also count on the perfect temperature, thanks to available automatic climate control.²



An extra set of eyes **every time you drive.**



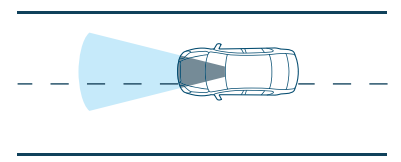
Pre-Collision Braking

A driver ahead unexpectedly hits the brakes or cuts you off. EyeSight^{®1} warns you, applies the brakes and, at lower speeds, can even help you stop your Impreza.



Adaptive Cruise Control

Traffic doesn't always flow smoothly, so EyeSight[®] doesn't only keep a set speed. The system looks ahead and helps your Impreza automatically adjust to keep your distance, even in stop-and-go traffic.



Lane Departure and Sway Warning with Lane Keep Assist

You accidentally drift to the edge of your lane and begin to cross into another. EyeSight[®] watches for lane markers and chimes to warn you before you leave your lane, and it can even help steer you back into your proper course, thanks to Lane Keep Assist.



Pre-Collision Throttle Management

This system reduces power to your engine to help you avoid accidentally accelerating into the car in front of you while merging, or if you unintentionally put your Impreza in Drive instead of Reverse.

¹ EyeSight is a driver assist technology, which may not operate optimally under all driving conditions. The driver is always responsible for safe and attentive driving. System effectiveness depends on many factors such as vehicle maintenance, weather and road conditions. See Owner's Manual for complete details on system operation and limitations. ² Based on data from 2013–2015MY Subaru models equipped with EyeSight through 2014. From an Insurance Institute of Highway Safety report published January 2016.

EyeSight[®] reduces rear-end crashes with injuries by **85%**²



© 2019 Impreza

Impreza Limited sedan in Dark Blue Pearl with optional equipment.

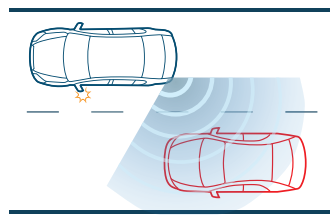
Thinking ahead.
Even before you do.

Enhanced Safety

Ready for what may come, the 2019 Impreza enhances peace of mind, offering our newest SUBARU STARLINK™ Safety and Security system.^{1,2} You'll also find extra awareness with the standard Rear-Vision Camera, reliable protection with the rigid Ring-shaped Reinforcement Frame, and the reassurance of seven standard airbags.³ Available safety features include Reverse Automatic Braking;⁴ as well as LED Steering Responsive Headlights (SRH) with High Beam Assist (HBA) to help give you maximum visibility at all times.⁵

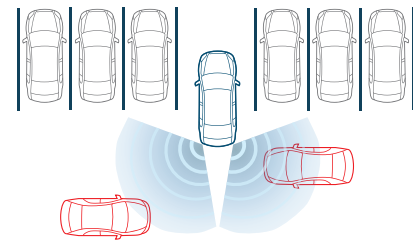


Impreza Sport 5-door in Ice Silver Metallic with optional equipment.



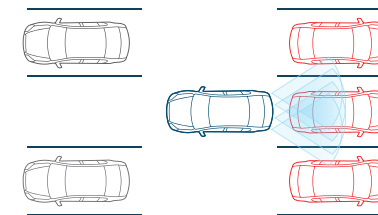
Blind-Spot Detection

Using radar sensors, the Blind-Spot Detection system warns you with a visual indicator in your side mirror if it senses a vehicle in your blind spot. Another feature of this system, Lane Change Assist, alerts you with a flashing indicator in your side mirror if it senses a vehicle approaching at a higher speed in a neighboring lane and you signal for a lane change.^{2,5}



Rear Cross-Traffic Alert

Rear Cross-Traffic Alert uses radar sensors to help warn you of traffic approaching from the side as you are backing up, utilizing a flashing visual indicator in your side mirror and an audible warning.^{2,5}



Reverse Automatic Braking

In addition to the standard Rear-Vision Camera, available Reverse Automatic Braking (RAB) detects objects directly behind your vehicle when backing up at a slow speed and can help bring your Impreza to a stop, should an object be detected within its range and the driver fail to act.^{2,4}



SUBARU STARLINK™ Safety and Security

The 2019 Impreza offers the latest STARLINK™ Safety and Security^{1,2} system, which can alert a first responder in an emergency, help police locate your vehicle if it's stolen and more. And to get you started, new Impreza drivers enjoy a free three-year STARLINK™ Safety Plus subscription, which includes Advanced Automatic Collision Notification, Enhanced Roadside Assistance, SOS Emergency Assistance and more.

¹ Activation with subscription required. Includes a 3-year trial subscription to Safety Plus services and a 6-month trial subscription to Safety and Security Plus services. The Concierge plan can be purchased annually or monthly. A credit card on file will be required for specific packages and for renewal purposes. See your retailer for details. ² Availability varies by trim level. See your retailer. ³ Always wear seatbelts. Children should be properly restrained in the rear seat. ⁴ Requires EyeSight. The Reverse Automatic Braking System is not a substitute for safe and attentive driving. System effectiveness depends on many factors, such as vehicle maintenance, weather and road conditions. Always exercise caution and use vehicle mirrors and the Rear-Vision Camera when backing up. See Owner's Manual for complete details on system operation and limitations. ⁵ Blind-Spot Detection, Lane Change Assist and Rear Cross-Traffic Alert are systems designed to assist the driver by monitoring the rear and side areas of the vehicle during a lane change or reversing and are not a substitute for safe and attentive driving.

The Subaru Impreza is the **longest-lasting vehicle** in its class!¹

IHS Markit



“The new structure and attention to sound deadening pays off, as the Impreza is much quieter than before.”²

Kelley Blue Book's KBB.com



Subaru is Kelley Blue Book's **Most Trusted Brand** for four years running.³



The Subaru Impreza **retains its value better than any other vehicle in its class** for 2018, according to ALG.⁵

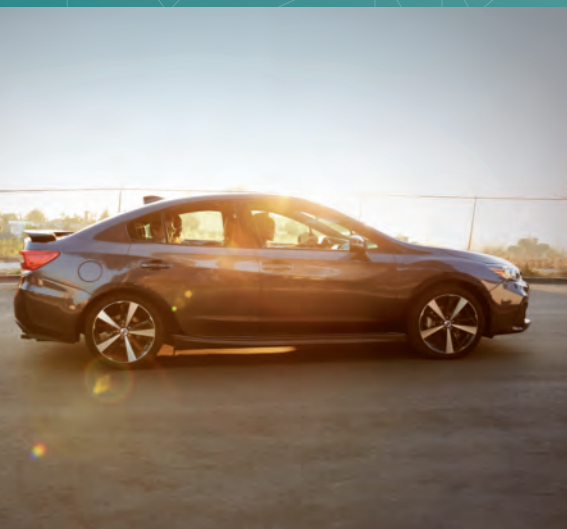


The Subaru Impreza has the **2018 Best Resale Value** in its class, according to Kelley Blue Book.⁴



The **best-selling all-wheel drive car in America** for the past 10 years.⁶

IHS Markit



2019 Impreza | Models



Impreza sedan and 5-door

- 152-hp 2.0-liter 4-cylinder SUBARU BOXER® engine with direct injection
- Subaru Symmetrical All-Wheel Drive
- 5-speed manual transmission or optional Lineartronic® CVT (Continuously Variable Transmission)
- 16-inch steel wheels with covers
- Cloth upholstery
- Black simulated carbon fiber interior accent trim
- 6-way manually adjustable driver's seat and 4-way manually adjustable front-passenger's seat
- Auto-up/down driver's and front-passenger's power windows
- SUBARU STARLINK™ 6.5-inch Multimedia with Apple CarPlay™, Android™ Auto, Pandora® and Aha™ smartphone app integration,⁷ high-resolution LCD touchscreen display, 4 speakers, AM/FM stereo, USB port/iPod® control, Bluetooth® audio streaming and hands-free phone connectivity, and 3.5-mm auxiliary jack
- Manually adjustable CFC-free air conditioning with air filtration
- Electronic cruise control
- Rear-Vision Camera



Impreza Premium sedan and 5-door

Includes Impreza key features and adds:

- Lineartronic® CVT (Continuously Variable Transmission) with 7-speed manual-mode and paddle shifters
- 16-inch alloy wheels
- Roof rails in silver finish (5-door)
- Body-color side mirrors
- All-Weather Package: Heated exterior mirrors, dual-mode heated front seats, windshield wiper de-icer
- STARLINK™ Safety and Security enabled:⁸ includes features and services such as Advanced Automatic Collision Notification and Concierge Services
- Auto-on/off headlights
- Welcome lighting
- Cargo area cover (5-door)
- SUBARU STARLINK™ 6.5-inch Multimedia Plus with Apple CarPlay™, Android™ Auto, Pandora® and Aha™ smartphone app integration,⁷ STARLINK™ cloud-based applications, including Yelp® iHeartRadio® and Magellan® navigation,⁹ SiriusXM® All Access Radio¹⁰ and Travel Link,¹⁰ high-resolution LCD touchscreen display, 6 speakers, AM/FM/CD player, HD Radio,⁸ dual USB port/iPod® control, Bluetooth® audio streaming and hands-free phone connectivity, and 3.5-mm auxiliary jack



Impreza Sport sedan and 5-door¹¹

Includes Impreza Premium key features and adds:

- 5-speed manual transmission with short throw shifter or optional Lineartronic® CVT (Continuously Variable Transmission)
- Active Torque Vectoring
- Sport-tuned suspension
- 18-inch alloy wheels
- Body-color door mirrors with integrated turn signals
- Trunk spoiler (sedan)
- Body-color side rocker spoilers
- LED Daytime Running Lights
- Active grille shutter
- Sport cloth interior with red stitching
- Leather-wrapped steering wheel and shifter handle with red stitching
- Gray simulated carbon fiber interior accent trim
- SUBARU STARLINK™ 8.0-inch Multimedia Plus with Apple CarPlay™, Android™ Auto, Pandora® and Aha™ smartphone app integration,⁷ STARLINK™ cloud-based applications, including Yelp® iHeartRadio® and Magellan® navigation,⁹ SiriusXM® All Access Radio¹⁰ and Travel Link,¹⁰ high-resolution LCD touchscreen display, 6 speakers, AM/FM/CD player, HD Radio,⁸ dual USB port/iPod® control, Bluetooth® audio streaming and hands-free phone and text messaging connectivity, and 3.5-mm auxiliary jack
- Keyless Access with Push-Button Start and PIN-code vehicle access
- Sport instrument cluster with color LCD display
- 6.3-inch color multifunction display



Impreza Limited sedan and 5-door

Includes Impreza Premium key features and adds:

- EyeSight® Driver Assist Technology¹²
- Reverse Automatic Braking (RAB)¹³
- 17-inch alloy wheels
- LED Steering Responsive Headlights (SRH)
- Fog lights
- Body-color side mirrors with integrated turn signals
- Active grille shutter
- 6-way power adjustable driver's seat
- Leather-trimmed upholstery
- Leather-wrapped steering wheel and shifter handle with silver stitching
- Shifter handle with leather boot and gloss black trim
- Gloss simulated carbon fiber and silver interior accent trim
- Keyless Access with Push-Button Start and PIN-code vehicle access
- SUBARU STARLINK™ 8.0-inch Multimedia Plus with Apple CarPlay™, Android™ Auto, Pandora® and Aha™ smartphone app integration,⁷ STARLINK™ cloud-based applications, including Yelp® iHeartRadio® and Magellan® navigation,⁹ SiriusXM® All Access Radio¹⁰ and Travel Link,¹⁰ high-resolution LCD touchscreen display, 6 speakers, AM/FM/CD player, HD Radio,⁸ dual USB port/iPod® control, Bluetooth® audio streaming and hands-free phone and text messaging connectivity, and 3.5-mm auxiliary jack
- 6.3-inch color multifunction display
- High-grade instrument cluster with color LCD display
- Automatic climate control system with air filtration

¹ Based on the average of vehicles in operation vs. new registrations for each model year using IHS Markit data as of December 2017 in the Non-Luxury Traditional Compact segment for MY2008–2017. ² From “2017 Subaru Impreza First Review” on Kelley Blue Book's KBB.com. Kelley Blue Book is a registered trademark of Kelley Blue Book Co., Inc. ³ 2015–2018 Kelley Blue Book Brand Image Awards are based on the Brand Watch™ study from Kelley Blue Book Strategic Insights. Award calculated among non-luxury shoppers. For more information, visit www.kbb.com. Kelley Blue Book is a registered trademark of Kelley Blue Book Co., Inc. ⁴ Vehicle's projected resale value is specific to the 2018 model year. For more information, visit www.kbb.com. Kelley Blue Book is a registered trademark of Kelley Blue Book Co., Inc. ⁵ ALG is the industry benchmark for residual values and depreciation data (www.alg.com). ⁶ Based on IHS Markit U.S. total registrations cumulative over 10 years among all-wheel drive cars from January 2008–December 2017. ⁷ Compatible smartphone and applications required. For applications to operate, latest version of each application is required. Data provided by smartphone is displayed on the audio system screen. Some state laws prohibit the operation of handheld electronic devices while operating a vehicle. Smartphone apps should only be launched when vehicle is safely parked. Your wireless carrier's rates may apply. ⁸ Activation with subscription required. Includes a 3-year trial subscription to Safety Plus services and a 6-month trial subscription to Safety and Security Plus services. The Concierge plan can be purchased annually or monthly. A credit card on file will be required for specific packages and for renewal purposes. See your retailer for details. ⁹ Activation and subscription required. See your retailer for details. ¹⁰ Activation and required monthly subscription sold separately. Includes 4-month trial subscription. See your retailer. ¹¹ Roof rails not available on Impreza Sport 5-door models. ¹² EyeSight is a driver assist technology, which may not operate optimally under all driving conditions. The driver is always responsible for safe and attentive driving. System effectiveness depends on many factors such as vehicle maintenance, weather and road conditions. See Owner's Manual for complete details on system operations and limitations. ¹³ The Reverse Automatic Braking System is not a substitute for safe and attentive driving. System effectiveness depends on many factors, such as vehicle maintenance, weather and road conditions. Always exercise caution and use vehicle mirrors and the Rear-Vision Camera when backing up. See Owner's Manual for complete details on system operation and limitations.

2019 Impreza | Specifications

Engine and Drivetrain		Impreza	Impreza Sport
Power Torque	2.0-liter DOHC direct-injection aluminum-alloy 16-valve horizontally opposed 4-cylinder SUBARU BOXER® engine with Dual Active Valve Control System (DAVCS). 152 hp @ 6,000 rpm 145 lb-ft @ 4,000 rpm	●	●
Transmission	Fully synchronized 5-speed manual with Incline Start Assist. Impreza and Impreza Sport: Standard. Impreza Premium and Impreza Limited: N/A. Lineartronic® CVT (Continuously Variable Transmission) with Adaptive Control and Incline Start Assist. Impreza and Impreza Sport: Optional. Impreza Premium and Impreza Limited: Standard.	●	●
CA Emissions	LEV III / SULEV30	●	●
Traction and Stability			
All-Wheel Drive type	Subaru Symmetrical All-Wheel Drive	●	●
Vehicle Dynamics Control (VDC)	VDC electronic stability control utilizes sensors that constantly monitor wheel speeds, steering angle, brake pressure, vehicle yaw rate and lateral g-forces. If VDC detects a difference between the driver's intended path and the one the vehicle is actually taking, VDC applies braking power and/or reduces engine torque to help correct vehicle path.	●	●
Traction Control System (TCS)	VDC also incorporates an all-wheel, all-speed Traction Control System that senses a loss of traction and applies braking force to the slipping wheel or wheels as necessary to maintain vehicle motion.	●	●
Active Torque Vectoring	Active Torque Vectoring works in tandem with VDC, applying braking power to the inside wheels, resulting in better handling, sharper turn-in, more neutral steering and higher cornering limit while turning.	—	●
Fuel			
Economy	Manual transmission: city/highway/combined ¹	Sedan: 24/32/27 mpg 5-door: 24/31/26 mpg	Sedan: 23/31/26 mpg 5-door: 22/30/25 mpg
	Lineartronic® CVT: city/highway/combined ¹	Sedan: 28/38/32 mpg 5-door: 28/36/31 mpg	Sedan: 27/36/30 mpg 5-door: 27/35/30 mpg
Fuel Requirement	Unleaded gasoline (87 octane)	●	●
Fuel Capacity	13.2 gallons	●	●
Chassis			
Steering	Electric power-assisted quick ratio rack-and-pinion steering (EPAS). Turning circle: 35.4 feet	●	●

2019 Impreza | Specifications

Chassis (continued)		Impreza	Impreza Sport
Suspension	4-wheel independent. Front: MacPherson strut type. Stabilizer bar. Rear: Double-wishbone with lateral link pillow-ball joint bushing. Stabilizer bar. (Impreza: Front stabilizer bar only, Impreza Sport: Sport-tuned)	●	●
Brakes	4-wheel disc, ventilated front. 4-channel, 4-sensor ABS with Electronic Brake-force Distribution (EBD).	●	●
Brake Discs (front/rear)	Impreza, Impreza Premium, Impreza Limited: 10.9 inches/10.8 inches Impreza Sport: 11.6 inches/10.8 inches	●	●
Brake Assist	When emergency braking is detected by how quickly the brake pedal is pressed, maximum brake pressure is immediately applied.	●	●
Brake Override System	If both brake and accelerator pedals are pressed simultaneously, the system reduces the operation of the accelerator pedal to help prevent unintentional vehicle acceleration.	●	●
Wheels and Tires			
Wheels	Impreza: 16 x 6.5-inch steel with covers. Impreza Premium: 16 x 6.5-inch aluminum-alloy. Black with machine finish. Impreza Limited: 17 x 7.0-inch aluminum-alloy. Dark gray with machine finish.	●	—
	Impreza Sport: 18 x 7.5-inch aluminum-alloy. Black with machine finish.	—	●
Tires	Impreza and Impreza Premium: 205/55 R16 89V all-season	●	—
	Impreza Sport: 225/40 R18 88V all-season	—	●
	Impreza Limited: 205/50 R17 89V all-season	●	—
Spare Tire	Temporary use T135/80 D16	●	●

● Standard ○ Optional — Not equipped

Some images shown are for illustration purposes only. Specifications and imagery in this brochure are based on the latest product information available at the time of publication. Production models may vary. For the most up-to-date and detailed product information, log on to www.subaru.com. Some equipment shown in photography in this brochure is optional at extra cost. Specific options may be available only in combination with other options. Specific combinations of equipment or features may vary from time to time and by geographic area. Certain accessories and equipment may not be available at the time of publication. Subaru of America, Inc., reserves the right to change or discontinue at any time, without notice, prices, colors, materials, equipment, accessories, specifications, models and packages without incurring any obligation to make the same or similar changes on vehicles previously sold. Colors shown may vary due to reproduction and printing processes.

This brochure was prepared by Subaru of America, Inc. A warranty from Subaru of America, Inc., is available only on cars sold to the first retail purchaser through an authorized Subaru retailer in the continental U.S. or Alaska. Every owner of the car during the warranty period shall be entitled to the benefit of these warranties. Subaru, SUBARU BOXER, Lineartronic, EyeSight and Impreza are registered trademarks of SUBARU CORPORATION. Confidence in Motion and STARLINK are trademarks of SUBARU CORPORATION. Added Security is a registered trademark of Subaru of America, Inc. Aha™ is a trademark of Harman International Industries, Inc. Android™ Auto is a trademark of Google Inc. Apple®, iPhone®, iPod® and iTunes® are registered trademarks of Apple Inc. Apple CarPlay™ is a trademark of Apple Inc. Bluetooth® is a registered trademark of Bluetooth SIG, Inc. Harman Kardon® is a registered trademark of Harman International Industries, Inc. HD Radio® is a registered trademark of iBiquity Digital Corporation. HomeLink® and the HomeLink house icon are registered trademarks of Gentex Corporation. SiriusXM®, Traffic® and Travel Link® are registered trademarks of SiriusXM Radio Inc. iHeartRadio® is a registered trademark of Clear Channel Communications, Inc. Magellan® is a registered trademark of MITAC International Corporation. Pandora® is a registered trademark of Pandora Media, Inc. Rockford Fosgate® is a registered trademark of Rockford Corporation. Thule® is a registered trademark of the Thule Group. TomTom® is a registered trademark of TomTom International BV. Yelp® is a registered trademark of Yelp Inc. For more information, contact your Subaru retailer or log on to www.subaru.com.

2019 Impreza | Equipment

Exterior	Impreza	Impreza Premium	Impreza Sport	Impreza Limited
LED Steering Responsive Headlights (SRH) with High Beam Assist (HBA)	—	—	—	●
Fog lights	□	□	—	●
Heated side mirrors and windshield wiper de-icer (All-Weather Package)	—	●	●	●
Trunk spoiler (sedan)	—	—	●	—
Body-color side rocker spoilers	—	—	●	—
Power tilt/sliding-glass moonroof (95% UVA/UVB light reducing) ^{2,3}	—	○	○	○
Single exhaust outlet with stainless tip (sedan)	—	—	●	●
Raised roof rails in silver finish (5-door)	—	●	—	●
Roof cross bar fixed mounting points (models without roof rails)	●	●	●	●
Seating and Trim				
6-way manually adjustable driver's seat. 4-way manually adjustable front-passenger's seat.	●	●	●	—
6-way power adjustable driver's seat. 4-way manually adjustable front-passenger's seat.	—	—	—	●
Heated front seats (All-Weather Package)	—	●	●	●
60/40-split flat-folding rear seatbacks	●	●	●	●
Leather-wrapped steering wheel with silver stitching	—	—	—	●
Leather-wrapped steering wheel with red stitching	—	—	●	—
Leather-wrapped automatic transmission shifter handle	—	—	○	●
Cloth upholstery	●	●	—	—
Sport cloth upholstery	—	—	●	—
Leather-trimmed upholstery	—	—	—	●
Aluminum-alloy pedal covers	—	—	●	—
Convenience Features				
Keyless Access with Push-Button Start and PIN-code vehicle access	—	—	●	●
Welcome lighting (when approaching or departing vehicle)	—	●	●	●
One-touch lane change feature	●	●	●	●
Auto-on/off headlights	—	●	●	●
Auto-up/down driver's and front-passenger's power windows	●	●	●	●
Electronic cruise control	●	●	●	●
3-spoke steering wheel with audio system, Bluetooth® and cruise control or (if equipped) EyeSight® adaptive cruise control buttons	●	●	●	●
Automatic transmission manual-mode paddle shifters	—	●	○	●
Manually adjustable tilt/telescoping steering column	●	●	●	●
Cargo area cover (5-door)	—	●	●	●
Audio System				
SUBARU STARLINK™ 6.5-inch Multimedia with Apple CarPlay,™ Android™ Auto, Pandora® and Aha™ smartphone app integration;⁴ high-resolution LCD touchscreen, AM/FM stereo, USB port/iPod® control, Bluetooth® audio streaming and hands-free phone connectivity, and 3.5-mm auxiliary jack	●	—	—	—
SUBARU STARLINK™ 6.5-inch Multimedia Plus with Apple CarPlay,™ Android™ Auto, Pandora® and Aha™ smartphone app integration;² STARLINK™ cloud-based applications, including Yelp,⁵ iHeartRadio® and Magellan® navigation;³ SiriusXM® All Access Radio⁶ and Travel Link,®⁸ high-resolution LCD touchscreen display, AM/FM/CD player, HD Radio,⁹ dual USB port/iPod® control, Bluetooth® audio streaming and hands-free phone connectivity, and 3.5-mm auxiliary jack	—	●	—	—
SUBARU STARLINK™ 8.0-inch Multimedia Plus with Apple CarPlay,™ Android™ Auto, Pandora® and Aha™ smartphone app integration;⁴ STARLINK™ cloud-based applications, including Yelp,⁵ iHeartRadio® and Magellan® navigation;⁵ SiriusXM® All Access Radio⁶ and Travel Link,®⁸ high-resolution LCD touchscreen, AM/FM/CD player, HD Radio,⁹ dual USB port/iPod® control, Bluetooth® audio streaming and hands-free phone and text messaging connectivity, and 3.5-mm auxiliary jack	—	—	●	●
4 speakers	●	—	—	—
6 speakers	—	●	●	●
Climate Control				
Manually adjustable CFC-free air conditioning system with air filtration	●	●	●	—
Automatic climate control system with CFC-free air conditioning and air filtration	—	—	—	●

2019 Impreza | Equipment

Instrumentation	Impreza	Impreza Premium	Impreza Sport	Impreza Limited
Instrument cluster with analog speedometer, tachometer and “eco” fuel economy gauges, and 2.4-inch LCD display	●	●	—	—
Instrument cluster with analog speedometer and tachometer gauges, and 4.2-inch color LCD display	○²	○²	●	●
Multifunction display with digital trip computer, displaying current and average fuel economy, distance to empty, average vehicle speed, digital clock and ambient temperature	●	●	—	—
6.3-inch color multifunction display with information displays for fuel economy (average, current and distance to empty), heating and air conditioning (Limited models only), audio, weather, vehicle systems operation and more	—	—	●	●
Security				
Keyless entry system with answer-back electronic chirp	●	●	●	●
Antitheft security system with engine immobilizer	●	●	●	●
Safety				
ACTIVE				
Subaru Symmetrical All-Wheel Drive (AWD)	●	●	●	●
EyeSight® Driver Assist Technology ²⁻⁷	○	○	○	●
Blind-Spot Detection with Lane Change Assist and Rear Cross-Traffic Alert ^{2,8}	—	○	○	○
Reverse Automatic Braking (RAB) ^{2,9}	—	—	—	●
Rear-Vision Camera	●	●	●	●
Tire Pressure Monitoring System (TPMS)	●	●	●	●
Daytime Running Lights (DRL)	●	●	●	●
PASSIVE				
STARLINK™ Safety and Security enabled ¹⁰ : Advanced Automatic Collision Notification, SOS Emergency Assistance, Enhanced Roadside Assistance, Maintenance Notifications, Monthly Vehicle Health Report, Diagnostic Alerts, Remote Engine Start with Climate Control, ¹¹ Remote Lock/Unlock, Concierge Services and more	—	●	●	●
Subaru advanced frontal airbag system with driver's and front-passenger's airbags (SRS) ¹²	●	●	●	●
Seat-mounted front side-impact airbags (SRS) ¹²	●	●	●	●
Side-curtain airbags protecting front and rear outboard occupants (SRS) ¹²	●	●	●	●
Driver's knee airbag (SRS) ¹²	●	●	●	●
Rollover sensor (SRS) ¹²	●	●	●	●
Whiplash-protection front seats with height-adjustable head restraints	●	●	●	●
Three individual rear-seat head restraints	●	●	●	●
Height-adjustable 3-point front seatbelts with dual pretensioners and force limiters. 3-point seatbelts at all rear seating positions.	●	●	●	●
LATCH system: Lower Anchors and Tethers for CHildren	●	●	●	●
Optional Equipment				
Lineartronic® CVT (Continuously Variable Transmission)	○	●	○	●
Lineartronic® CVT (Continuously Variable Transmission) • EyeSight® Driver Assist Technology ⁷	○	—	—	—
EyeSight ^{8,7} • Blind-Spot Detection with Rear Cross-Traffic Alert ⁸ • Steering Responsive Fog Lights (SRF)	—	○	—	—
EyeSight ^{8,7} • Blind-Spot Detection with Rear Cross-Traffic Alert ⁸ • Steering Responsive Fog Lights (SRF) • Power moonroof	—	○	—	—
Harman Kardon® premium audio system • EyeSight ^{8,7} • Blind-Spot Detection with Rear Cross-Traffic Alert ⁸ • Power moonroof	—	—	○ ¹³	—
Blind-Spot Detection with Rear Cross-Traffic Alert ⁸ • Power moonroof	—	—	—	○
SUBARU STARLINK™ 8.0-inch Multimedia Navigation • Harman Kardon® audio system • Blind-Spot Detection with Rear Cross-Traffic Alert ⁸ • Power moonroof	—	—	—	○
EQUIPMENT CONTENTS				
SUBARU STARLINK™ 8.0-inch Multimedia Navigation System: Voice-activated 8.0-inch multi-touch-gesture high-resolution GPS navigation system with Apple CarPlay™, Android™ Auto, Pandora® and Aha™ smartphone app integration ⁴ , STARLINK™ cloud-based applications, including Yelp, iHeartRadio®, SiriusXM® All Access Radio ⁶ , Traffic ^{®14} and Travel Link ^{®14} , high-resolution LCD touchscreen, AM/FM/CD player, HD Radio ⁹ , dual USB port/iPod® control, Bluetooth® audio streaming and hands-free phone and text messaging connectivity, and 3.5-mm auxiliary jack				
Harman Kardon® premium audio system: 8 Harman Kardon® speakers and a 432-watt-equivalent amplifier				
EyeSight® Driver Assist Technology⁷: Pre-Collision Braking System, Pre-Collision Throttle Management, Lane Departure and Sway Warning with Lane Keep Assist, Adaptive Cruise Control				

● Standard ○ Optional — Not equipped □ Available retailer-installed accessory

Impreza | Accessories



Cargo Net. Neatly holds cargo and prevents it from sliding while the vehicle is in motion.



Body Side Molding. Attractive, color-matched moldings coordinate with the styling of the vehicle while helping to protect doors from unsightly dings.



Sport Grille. Create a custom look for the front end of your Impreza by replacing the stock factory grille with the accessory Sport Grille.



Auto-Dimming Exterior Mirrors. Enhance your Auto-Dimming Mirror experience by adding the Auto-Dimming Exterior Mirrors with Approach Light.* When in traffic, the Auto-Dimming Exterior Mirrors help add to a safer driving experience by reducing headlight glare on the exterior mirrors. This occurs when excessive light is detected from the rear of the vehicle. The dimming level of the exterior mirrors is regulated by the level of light detected by the Auto-Dimming (Interior) Mirror.

*Requires Auto-Dimming (Interior) Mirror.

For a complete list of available accessories, visit your local Subaru retailer or visit www.subaru.com



Rockford Fosgate® Audio Upgrade

Get ready to not only hear your music but feel it, too. The Rockford Fosgate® Audio Upgrade¹ elevates the standard Impreza audio system to a whole new level with an amplifier, upgraded speakers, and an integrated digital signal processor tuned to align the system to your liking.

Engineers developed this premium audio upgrade to specifically match the acoustics of your Impreza. The harder you push it, the better it performs, so feel free to crank up the volume as loud as you like. That's how you'll get the best experience.

¹ Not available on models equipped with Harman Kardon® audio system.



Cargo Tray. Removable tray helps to protect the cargo area from stains, dirt and other messes while providing a surface that helps reduce the shifting of cargo while driving.



Door Edge Guards. Help protect your door edges from dings and chips with custom-fit, body color-matched, stainless steel Door Edge Guards. They help preserve the appearance of your Subaru while seamlessly blending into the door design.



All-Weather Floor Liners. Custom-fitted, high wall design floor liners help protect the vehicle carpet from accidental spills, sand, snow, mud, dirt and moisture.
Not intended for use on top of Carpeted Floor Mats.



LED Upgrade – Map and Dome Lights. This upgrade offers brighter, whiter and crisper interior lighting of the map and dome lights than the standard equipment lighting.



Side Sill Plates. Metallic-finished panels dress up the sill plates of the Impreza.



Splash Guards. Helps protect vehicle paint finish from stones and road grime.
Set of four.



Rear Seatback Protector. Provides additional protection to the rear seatbacks when lowering the seats to transport larger cargo. Use in conjunction with the Cargo Tray for optimal protection.
5-door models only.



Auto-Dimming Mirror with HomeLink® This upgraded Auto-Dimming Mirror detects glare and darkens automatically to protect your vision while featuring an 8-point digital compass. Three backlit HomeLink® buttons can be programmed to operate most garage doors, security gates, home lighting and more. It can also provide you with the last status of your garage door (open or closed) if programmed to a compatible opener featuring two-way communication.



Let nothing hold you back.

When your passion is even bigger than your cargo area, Genuine Subaru active lifestyle accessory attachments manufactured by Thule® are a smart way to securely transport larger gear like bikes, skis, snowboards, kayaks, paddleboards and more. Each carrier safely attaches to your roof rack, and the available Thule® Portable Step can help you easily access everything.



Thule® Paddleboard Carrier



Thule® Bike Carrier – Roof-Mounted



Thule® Heavy-Duty Roof Cargo Basket

2019 Impreza | Owner Benefits

For additional Subaru resources, including owner's manuals, maintenance schedules, roadside assistance and more, log on to www.mysubaru.com

Protecting Your Investment

Once you're part of our family, we'll be there for you. Every Subaru comes with 24-hour roadside assistance for 3 years or 36,000 miles. If you have trouble on the road, a tow to the nearest Subaru retailer and other services is just a phone call away. And to protect you over the long haul, we offer Added SecuritySM...ask for it by name—extended service agreements and maintenance plans that will help protect your car for up to 10 years or 100,000 miles. They're the only mechanical and maintenance plans backed by Subaru, and because we've been backing them for more than 30 years, they're agreements you can trust. Your retailer has full coverage details.

Subaru Badge of Ownership

Subaru owners are driven by their passions. Whether hiking to see a sunset or skiing through fresh powder. Paddling through rapids or playing fetch with their furry friend. For many, our exclusive Badge of Ownership lets them personalize their vehicle and express their interests. Owners can go to badgeofownership.com to order **FREE** Subaru Badge of Ownership lifestyle icons.



Durability



Responsible. Reliable. Ready to join the family.

At Subaru, we're committed to building a lasting, rewarding relationship with you and the world we share. We start by building our vehicles to last. It's why 97% of Subaru vehicles sold in the last 10 years are still on the road today.¹⁵ We also share your desire for a cleaner, greener world. In 2004, Subaru of Indiana Automotive, Inc. (SIA) became the first manufacturing facility in the U.S. to reach zero-landfill status—nothing from its manufacturing efforts ever goes into a landfill. Subaru is also headquartered in a zero-landfill office in Camden, N.J.

Warranties

New Car Limited Warranty 3 years or 36,000 miles, whichever comes first.

Powertrain Limited Warranty 5 years or 60,000 miles, whichever comes first.

Wear Item Limited Warranty 3 years or 36,000 miles, whichever comes first. Repairs to the following items will also be covered under Wear Item Limited Warranty:

- Brake Pads
- Wiper Blades
- Clutch Linings
- Transmitter Batteries

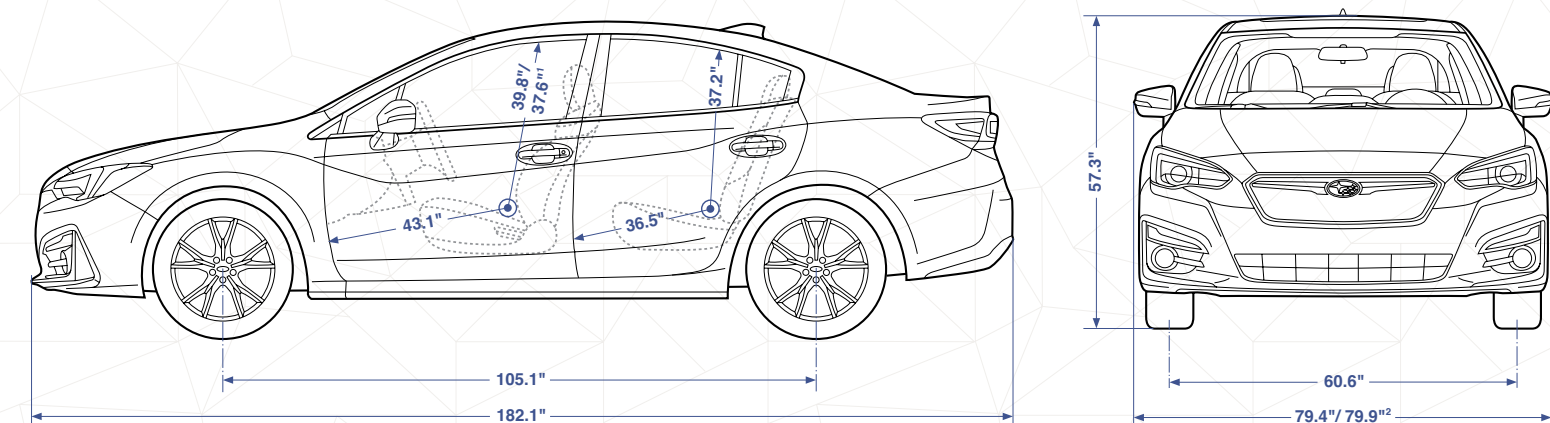
Rust Perforation Limited Warranty 5 years, unlimited mileage.

24-hour Roadside Assistance 3 years or 36,000 miles, whichever comes first.

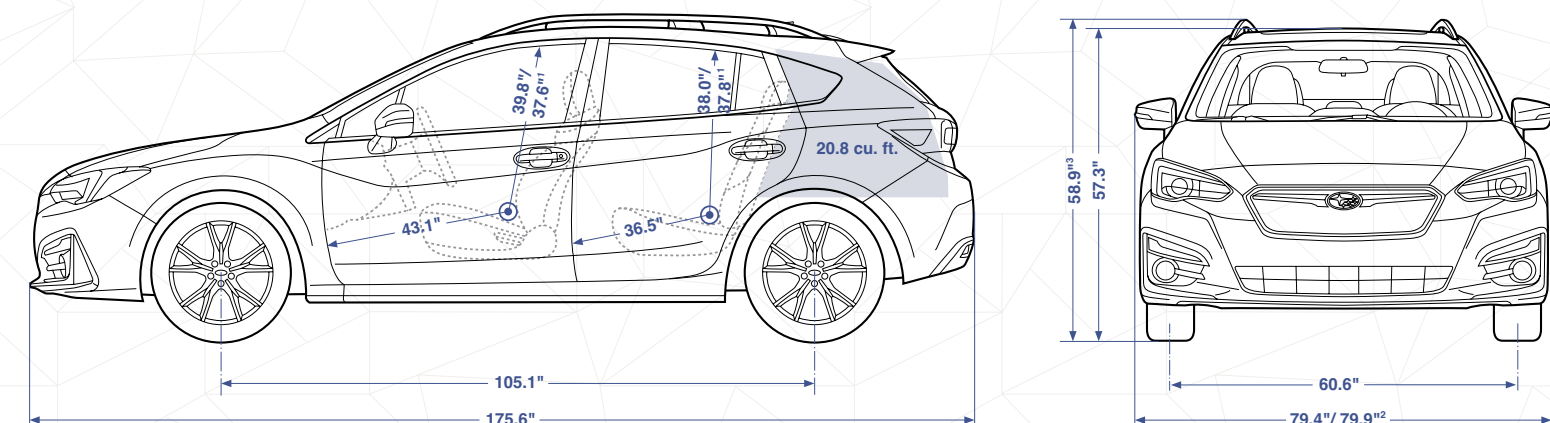
¹ 2019 EPA fuel economy estimates. Actual mileage may vary. ² Available only with other features. See Optional Equipment listing. ³ The glass information listed represents calculated reference values, and may not represent actual values determined by testing. ⁴ Compatible smartphone and applications required. For applications to operate, latest version of each application is required. Data provided by smartphone is displayed on the audio system screen. Some state laws prohibit the operation of handheld electronic devices while operating a vehicle. Smartphone apps should only be launched when vehicle is safely parked. Your wireless carrier's rates may apply. ⁵ Activation and subscription required. See your retailer for details. ⁶ Activation and required monthly subscription sold separately. Includes 4-month trial subscription. See your retailer. ⁷ EyeSight is a driver assist technology, which may not operate optimally under all driving conditions. The driver is always responsible for safe and attentive driving. System effectiveness depends on many factors such as vehicle maintenance, weather and road conditions. Pre-Collision Braking System is designed to provide automatic braking that either prevents a collision or reduces the severity of a frontal impact. Pre-Collision Throttle Management is designed to reduce acceleration and minimize the severity of certain frontal impacts. Adaptive Cruise Control and Brake Light Recognition are designed to assist the driver and are not substitutes for safe and attentive driving. Lane Departure and Sway Warning and Lane Keep Assist operate only when the lane markings are visible and system effectiveness depends on many factors. See Owner's Manual for complete details on system operation and limitations. ⁸ Blind-Spot Detection, Lane Change Assist and Rear Cross-Traffic Alert are systems designed to assist the driver by monitoring the rear and side areas of the vehicle during a lane change or reversing and are not a substitute for safe and attentive driving. ⁹ The Reverse Automatic Braking System is not a substitute for safe and attentive driving. System effectiveness depends on many factors, such as vehicle maintenance, weather and road conditions. Always exercise caution and use vehicle mirrors and the Rear-Vision Camera when backing up. See Owner's Manual for complete details on system operation and limitations. ¹⁰ Activation with subscription required. Includes a 3-year trial subscription to Safety Plus services and a 6-month trial subscription to Safety and Security Plus services. The Concierge plan can be purchased annually or monthly. A credit card on file will be required for specific packages and for renewal purposes. See your retailer for details. ¹¹ Requires Keyless Access with Push-Button Start. Climate Control on Limited models only. See your retailer for details. ¹² The Supplemental Restraint System (SRS) (airbags) affords the driver and the front and rear outboard passengers additional protection in moderate to severe frontal and side-impact collisions. This system provides supplemental protection only, and seatbelts must be worn in order to avoid injuries to out-of-position occupants upon airbag deployment and to provide the best combined protection in a serious accident. Children should always be properly restrained in the rear seat. ¹³ Requires Lineartronic[®] CVT. ¹⁴ Activation and required subscription sold separately. Includes 3-year trial subscription. See your retailer for details. ¹⁵ Based on IHS Markit U.S. vehicles in operation vs. total new registrations for MY2008–2017 ending in December 2017.

2019 Impreza | Dimensions

Impreza Sedan



Impreza 5-Door



Length/Width/Height
Sedan: 182.1 inches/70.0 inches (79.4/79.9² including mirrors)/57.3 inches
5-door: 175.6 inches/70.0 inches (79.4/79.9² including mirrors)/57.3 inches (58.9³)

Wheelbase 105.1 inches

Track (front/rear) 60.6 inches/60.8 inches

Base curb weight (manual/automatic)
Sedan
Impreza: 2,974 lbs/3,034 lbs
Impreza Premium: N/A/3,073 lbs
Impreza Sport: 3,075 lbs/3,131 lbs
Impreza Limited: N/A/3,117 lbs

5-door
Impreza: 2,985 lbs/3,047 lbs
Impreza Premium: N/A/3,093 lbs
Impreza Sport: 3,082 lbs/3,135 lbs
Impreza Limited: N/A/3,139 lbs

Headroom (front/rear)
Sedan: 39.8 inches/37.2 inches (with moonroof: 37.6 inches/37.2 inches)
5-door: 39.8 inches/38.0 inches (with moonroof: 37.6 inches/37.8 inches)

Legroom (front/rear) 43.1 inches/36.5 inches

Shoulder room (front/rear) 56.7 inches/55.6 inches

Hip room (front/rear) 55.1 inches/55.2 inches

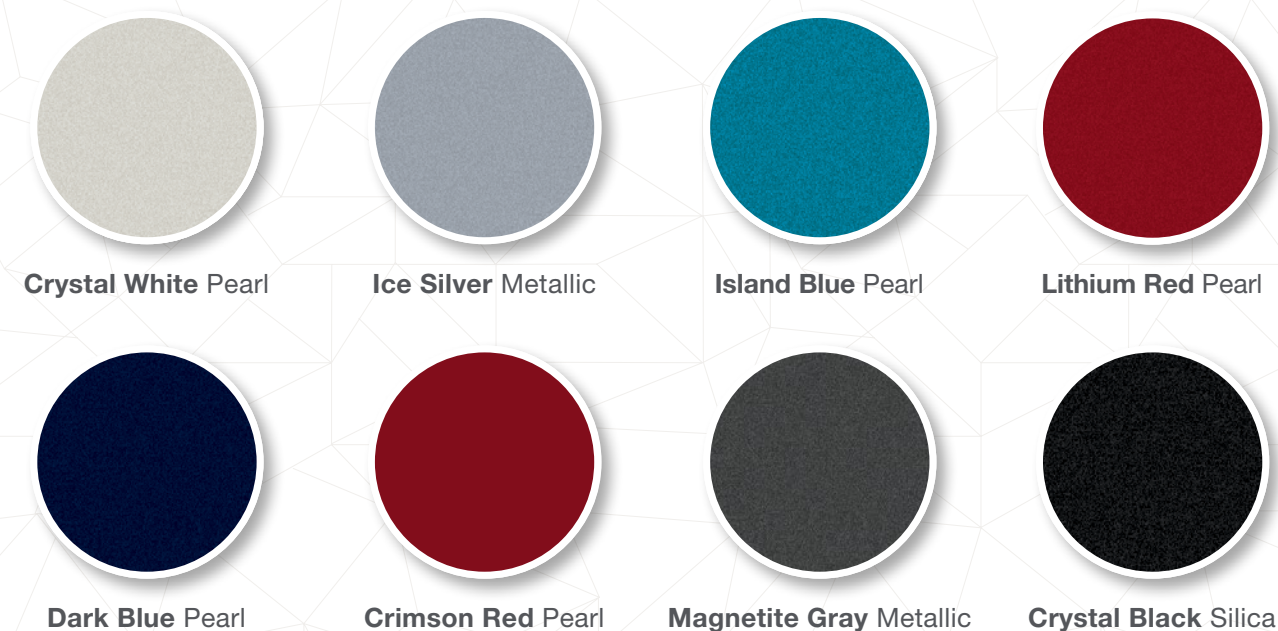
Passenger volume
Sedan: 99.8 cubic feet (with moonroof: 96.8 cubic feet)
5-door: 100.9 cubic feet (with moonroof: 97.5 cubic feet)

Cargo volume
Sedan: 12.3 cubic feet
5-door: 20.8 cubic feet (55.3 cubic feet with rear seat lowered)

¹ With available moonroof. Moonroof availability varies by trim level.
² Mirrors with integrated turn signals.
³ Including roof rails.

2019 Impreza | Colors

Paint



Upholstery



Color Combinations

	Impreza – Impreza Premium	Impreza Sport	Impreza Limited
Crystal White Pearl	BC or IC	BSC	BL or IL
Ice Silver Metallic	BC	BSC	BL
Island Blue Pearl	BC	BSC	BL
Lithium Red Pearl	–	BSC	–
Dark Blue Pearl	IC	BSC	IL
Crimson Red Pearl	IC	–	IL
Magnetite Gray Metallic	BC	BSC	BL
Crystal Black Silica	BC or IC	BSC	BL or IL

– Not available

Take a Guided Tour

It's the ultimate way to get to know the Impreza on your terms. Get up close and personal with color configurators, videos, 360-degree views, interactive content and so much more.



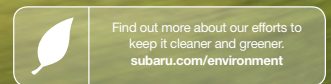
Online:
tour.subaru.com/Impreza2019



These brochures were printed with vegetable-based inks and produced using a "Green Printing Process." The Forest Stewardship Council® (FSC®) is an international organization that brings people together to find solutions which promote responsible stewardship of the world's forests and environments.

By producing these brochures in a green way rather than by traditional methods, we saved 104 trees preserved for the future; 48,473 gallons of wastewater flow saved; 3,244 lbs solid waste not generated; 8,938 lbs net greenhouse gases prevented; 47,000,000 BTUs energy not consumed. Calculations provided by Environmental Paper Network. FSC® is not responsible for any calculations on saving resources by choosing this paper.

This brochure is printed in the U.S.A. on 10% recycled paper. ©2018 Subaru of America, Inc. 19IMPSRB.525 (S-22207, 210K, 6/18, CG)



Love. It's what makes a Subaru, a Subaru.

