

VISIT US ONLINE TO CREATE YOUR IDEAL INFINITI

[www.infiniti.com](http://www.infiniti.com)

JOIN OUR COMMUNITY, AND GET THE LATEST INFO

 [Facebook.com/infiniti](https://www.facebook.com/infiniti)  [Twitter.com/infinitusa](https://www.twitter.com/infinitusa)

2018  
**Q60**



**INFINITI**

EMPOWER THE DRIVE™

This brochure is intended for general descriptive and informational purposes only. It is subject to change and does not constitute an offer, representation or warranty (express or implied) by Nissan North America, Inc. Interested parties should confirm the accuracy of any information in this brochure as it relates to a vehicle directly with an INFINITI Retailer before relying on it to make a purchase decision. Nissan North America, Inc., reserves the right to make changes, at any time, without prior notice, in prices, colors, materials, equipment, specifications, and models and to discontinue models or equipment. Due to continuous product development and other pre- and post-production factors, actual vehicle, materials and specifications may vary from this brochure. Some vehicles shown with optional equipment. See the actual vehicle for complete accuracy. Availability and delivery times for particular models or equipment may vary. Specifications, options and accessories may differ in Hawaii, U.S. territories and other countries. For additional information on availability, options or accessories, see your INFINITI Retailer or visit INFINITI website.

Final production vehicle may vary. Always wear your seat belt, and please don't drink and drive. ©2017 INFINITI. IN-20610 Reorder #18506i (8/17, 61K, CG) ♻️ Reducing our environmental footprint is an important goal at INFINITI. That's why this brochure uses paper stock that is certified to contain a minimum of 10% post-consumer waste materials.



# INFINITE POTENTIAL

We believe every driver is empowered with untold possibilities. To excel. To go as far as their drive will take them. See this take shape on the INFINITI Q60 where emotion is boundless and innovation redraws the performance boundary. Begin by crafting your Q60 for your exhilarating journey. Every selection is designed to move, inspire and empower the drive.



**DESIGN THE DRIVE** Shaped by passion, the Q60 expresses daring power and elegance. Flowing curves and muscular proportions communicate immense potential. Signature eye-inspired LED headlights offer a vision that is both provocative and unmistakable. Opt for the Q60 RED SPORT 400 and the look turns decidedly aggressive. Large 20-inch wheels,<sup>2</sup> red brake calipers,<sup>2</sup> sport exhaust tips<sup>1</sup> and an exclusive Dynamic Sunstone Red<sup>1</sup> paint project an attitude driven by emotion.

**ACCELERATE PERFORMANCE** Every press of the accelerator pedal thrills with the rush of turbocharged power. The experience is propelled from one of three engine variants, including the turbocharged 2.0-liter 4-cylinder, and the award-winning 3.0-liter twin-turbo V6<sup>1</sup> – available with 300 hp<sup>1</sup> or the electrifying 400 hp in the Q60 RED SPORT 400.<sup>1</sup>



## WHEEL CHOICES



19 X 9.0-INCH ALUMINUM-ALLOY WHEELS WITH ALL-SEASON RUN-FLAT PERFORMANCE TIRES



19 X 9.0-INCH ALUMINUM-ALLOY WHEELS\* WITH SUMMER RUN-FLAT PERFORMANCE TIRES OR ALL-SEASON RUN-FLAT PERFORMANCE TIRES\*\*



20 X 9.0-INCH FRONT, 20 X 9.5-INCH REAR STAGGERED ALUMINUM-ALLOY WHEELS\*\*\* WITH SUMMER PERFORMANCE TIRES OR ALL-SEASON RUN-FLAT PERFORMANCE TIRES\*\*\*\*

## EXTERIOR COLORS



INFINITI has taken care to ensure that the color swatches presented here are the closest possible representations of actual vehicle colors. Swatches may vary slightly due to the printing process and whether viewed in daylight, fluorescent or incandescent light. Please see the actual colors at your local INFINITI Retailer. \*Additional cost applies for this option. \*\*Only Q60 3.0t SPORT AWD receives all-season run-flat performance tires. \*\*\*Q60 RED SPORT 400 models only. Additional cost applies for Dynamic Sunstone Red paint option. \*\*\*\*Q60 RED SPORT 400 AWD receives 20 x 9.0-inch front and rear wheels with all-season run-flat performance tires. All-season run-flat performance tires not available on Q60 RED SPORT 400.



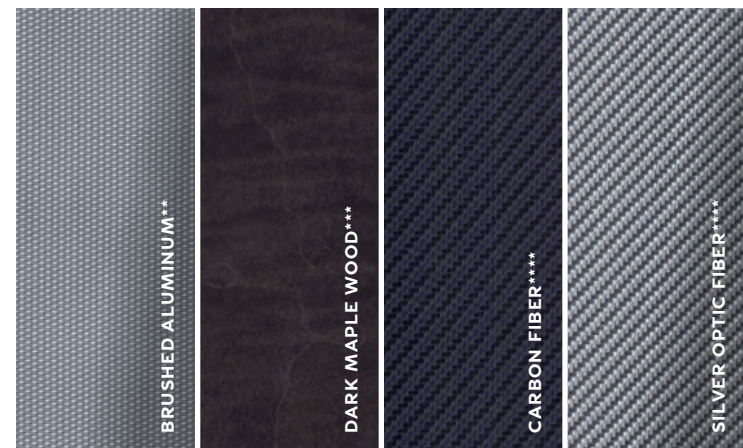
## ADD DISTINCTION



### INTERIOR COLORS



### INTERIOR TRIM



INFINITI has taken care to ensure that the color swatches presented here are the closest possible representations of actual vehicle colors. Swatches may vary slightly due to the printing process and whether viewed in daylight, fluorescent or incandescent light. Please see the actual colors at your local INFINITI Retailer. \*Additional cost applies for this option. \*\*Q60 2.0t PURE, Q60 2.0t LUXE and Q60 3.0t LUXE models only. \*\*\*Available on Q60 3.0t LUXE models only. \*\*\*\*Carbon Fiber standard on Q60 3.0t SPORT and Q60 RED SPORT 400 models only. Additional cost applies for Silver Optic Fiber option.

## ENHANCE YOUR CAPABILITIES

How will your Q60 come to life? Designed to intensify every driving sense, it offers bold ideas for the driven. Elevate your mastery of the road and traffic. Tailor the interior to your taste. Immerse yourself in sound, texture and technology that celebrate the driver as you chase the horizon.

**HANDLE EFFORTLESSLY** You can revolutionize how you drive with Direct Adaptive Steering,<sup>1</sup> the world's first digital steering system. Your input is translated into impulses to make steering smooth, precise and instant. You can even fine-tune it to your liking. Do the same with customizable Dynamic Digital Suspension,<sup>1</sup> which continually adjusts to corners and conditions for a more personal and responsive ride. Paired together on select models, they offer the first digitally adaptive handling system.<sup>1</sup>

**SENSE THE FUTURE** The Q60 is not only inspired by the senses, it extends them so you can cruise easier, follow smarter, anticipate the unexpected. INFINITI drive assist technologies in the ProACTIVE Package<sup>1</sup> employ the same technological innovations that will inspire and empower us in the future. When activated, they react to traffic, to help you brake for cars ahead, accelerate to your preset pace, and even help steer straight down your lane.





**TAILOR YOUR STORY** Step into an interior also performing on a higher level. Fine craftsmanship accentuates the human form, which you can feel from the fit of the seat. An integrated headrest and deep bolsters deliver comfort and support for a sport-driven difference. The Q60 3.0t SPORT and Q60 RED SPORT 400 models let you outfit them in Monaco Red semi-aniline leather<sup>1</sup> and accent the interior in lustrous Silver Optic Fiber trim<sup>1</sup> to celebrate your individuality.

**SET THE STAGE** Be enveloped in front-row concert sound by the Bose<sup>®</sup> Performance Series audio system with Advanced Staging Technology on the Q60 2.0t LUXE models and above. Symphonic sound pulses through thirteen high-performance speakers, while proprietary digital processing directs each signal to the ideal speaker for rich, nuanced "live performance" impact, no matter where you're seated.





# TRIM LEVELS & PACKAGES

Q60 2.0t PURE	Q60 2.0t LUXE	Q60 3.0t LUXE	Q60 3.0t SPORT	Q60 RED SPORT 400	
<ul style="list-style-type: none"> <li>• 208-hp 2.0-liter I4 turbo engine with Idle Stop/Start</li> <li>• 7-speed automatic transmission</li> <li>• LED signature headlights and daytime running lights</li> <li>• LED signature taillights</li> <li>• LED front fog lights</li> <li>• 19-inch alloy wheels</li> <li>• 255/40R19 all-season, run-flat performance tires</li> <li>• RearView Monitor<sup>2</sup></li> <li>• Heated outside mirrors</li> <li>• Front door handle courtesy lights</li> <li>• Front door aluminum INFINITI kick plates</li> <li>• Leatherette-appointed seating</li> <li>• 8-way power adjustable front seats</li> <li>• Dual Zone Automatic Temperature Control System</li> <li>• INFINITI InTouch™<sup>3</sup> dual screen display</li> <li>• INFINITI Intelligent Key with Push Button Start</li> <li>• INFINITI Voice Recognition</li> <li>• SiriusXM® Radio<sup>4</sup></li> <li>• SiriusXM® Travel Link with 4-year complimentary trial access<sup>4</sup></li> <li>• 2 USB ports<sup>5</sup></li> <li>• Bluetooth® Hands-free Phone System and audio streaming<sup>6</sup></li> <li>• INFINITI Drive Mode Selector</li> <li>• Rear-Wheel Drive or INFINITI Intelligent All-Wheel Drive</li> </ul> <p><b>Optional Package: 1</b></p>	<p><b>Includes all Q60 2.0t PURE features, plus:</b></p> <ul style="list-style-type: none"> <li>• Power sliding/tinted glass moonroof</li> <li>• Bose® Performance Series Audio System (13 speakers)</li> <li>• HomeLink® Universal Transceiver</li> <li>• Auto-dimming inside rearview mirror with compass</li> <li>• Rear-Wheel Drive or INFINITI Intelligent All-Wheel Drive</li> </ul> <p><b>Optional Packages: 2 5 6 8</b></p> 	<p><b>Includes all Q60 2.0t LUXE features, plus:</b></p> <ul style="list-style-type: none"> <li>• 300-hp 3.0-liter V6 twin-turbo engine (Idle Stop/Start not available)</li> <li>• Rack Electronic Power Steering</li> <li>• Rear-Wheel Drive or INFINITI Intelligent All-Wheel Drive</li> </ul> <p><b>Optional Packages: 3 5 6 8 9 10</b></p> 	<p><b>Includes all Q60 3.0t LUXE features, plus:</b></p> <ul style="list-style-type: none"> <li>• 19-inch aluminum-alloy sport wheels</li> <li>• Sport brakes with silver finish calipers</li> <li>• Dynamic Digital Suspension</li> <li>• Auto-dimming outside mirrors with reverse link</li> <li>• Silver "S" trunk badging</li> <li>• Semi-aniline leather-appointed seats</li> <li>• Steering-wheel-mounted paddle shifters</li> <li>• Genuine Carbon Fiber interior trim</li> <li>• Aluminum sport pedals</li> <li>• Dual-occupant memory system for driver's seat, steering column and outside mirrors</li> <li>• Power tilt and telescoping steering wheel column</li> <li>• Driver power lumbar and torso adjustment</li> <li>• Rear-Wheel Drive or INFINITI Intelligent All-Wheel Drive</li> </ul> <p><b>Optional Packages: 4 5 6 7 10</b></p>	<p><b>Includes all Q60 3.0t SPORT features, plus:</b></p> <ul style="list-style-type: none"> <li>• 400-hp 3.0-liter V6 twin-turbo engine</li> <li>• 20-inch aluminum-alloy wheels</li> <li>• Sport brakes with red finish calipers</li> <li>• Unique dual exhaust tips with brushed satin finish</li> <li>• Red "S" exterior badging</li> <li>• Rear-Wheel Drive or INFINITI Intelligent All-Wheel Drive</li> </ul> <p><b>Optional Packages: 4 5 6 7 10</b></p> 	

## PACKAGES

- 1 Moonroof Package**  
(Available on Q60 2.0t PURE models only)
  - Power sliding/tinted glass moonroof
- 2 Sensory Package (2.0t LUXE)**  
(Available on Q60 2.0t LUXE models only)
  - INFINITI InTouch™ Navigation with Voice Recognition<sup>7</sup>
  - INFINITI InTouch™ Services with 12 months of safety, security and convenience services<sup>3</sup>
  - SiriusXM Traffic™ with 4-year complimentary trial access to real-time traffic information<sup>4</sup>
  - Power tilt and telescopic steering wheel column
  - Dual-occupant memory system for driver's seat, steering column and outside mirrors
  - Driver power lumbar and torso adjustment
  - Heated steering wheel
  - Heated front seats
  - Auto-dimming outside mirrors with reverse link
- 3 Sensory Package (3.0t LUXE)**  
(Available on Q60 3.0t LUXE models only)
  - Includes all features of Sensory Package 2.0t LUXE, plus Remote Engine Start<sup>8</sup>
- 4 Sensory Package (SPORT)**  
(Available on Q60 3.0t SPORT and Q60 RED SPORT 400 models only)
  - INFINITI InTouch™ Navigation with Voice Recognition<sup>7</sup>
  - INFINITI InTouch™ Services with 12 months of safety, security and convenience services<sup>3</sup>
  - SiriusXM Traffic™ with 4-year complimentary trial access to real-time traffic information<sup>4</sup>
  - Heated steering wheel
  - Heated front seats
  - Remote Engine Start<sup>8</sup>
- 5 INFINITI Radiant Grille Emblem**  
Requires Sensory Package on Q60 2.0t LUXE, Q60 3.0t LUXE, Q60 3.0t SPORT and Q60 RED SPORT 400 models.
- 6 ProASSIST Package**  
Requires Sensory Package (2.0t LUXE, 3.0t LUXE) and Leather-appointed Seating Package on Q60 2.0t LUXE and Q60 3.0t LUXE models. Requires Sensory Package (SPORT) on Q60 3.0t SPORT and Q60 RED SPORT 400 models.
  - Blind Spot Warning (BSW)<sup>9</sup>
  - Backup Collision Intervention (BCI)<sup>10</sup>
  - Around View® Monitor (AVM) with Moving Object Detection (MOD)<sup>11</sup>
  - Front and Rear Parking Sensors<sup>12</sup>
  - Predictive Forward Collision Warning (PFCW)<sup>13</sup>
  - Forward Emergency Braking with Pedestrian Detection (PFEB)<sup>14</sup>
  - Rain-sensing wipers
- 7 Silver Optic Fiber Interior Trim**  
Requires Sensory Package (SPORT) on Q60 3.0t SPORT and Q60 RED SPORT 400 models.
  - Silver Optic Fiber interior trim
- 8 Leather-appointed Seating Package**  
Requires ProASSIST Package on Q60 2.0t LUXE and Q60 3.0t LUXE models. Standard on Q60 3.0t SPORT and Q60 RED SPORT 400 models.
  - Semi-aniline leather-appointed seating
- 9 Dark Maple Wood Accent Package**  
Requires Leather-appointed Seating Package. (Available on Q60 3.0t LUXE models only)
  - Dark Maple Wood interior trim
- 10 ProACTIVE Package**  
Requires Dark Maple Wood Accent Package on Q60 3.0t LUXE models. Requires ProASSIST Package on Q60 3.0t SPORT and Q60 RED SPORT 400 models.
  - Intelligent Cruise Control (ICC) (Full-Speed Range)<sup>15</sup>
  - Direct Adaptive Steering® (DAS)
  - Lane Departure Warning (LDW) and Lane Departure Prevention (LDP) with Active Lane Control<sup>16,17</sup>
  - Blind Spot Intervention® (BSI)<sup>9</sup>
  - Distance Control Assist (DCA)<sup>18</sup>
  - Adaptive Front lighting System (AFS)
  - High Beam Assist (HBA) headlights
  - Advanced Climate Control System (ACCS) with auto-recirculation, Plasmacluster® air purifier and Grape Polyphenol Filter<sup>19</sup>
  - Front-seat Pre-Crash Seat Belts
  - Eco Pedal

# GENUINE INFINITI ACCESSORIES

Make a powerful impression. Enhance every connection and experience, inside and out. Personalize your Q60 with a wide array of innovative products designed for a custom-fit and finish.<sup>20</sup> Every Genuine INFINITI Accessory is created to the same exacting standards applied to the creation of your INFINITI vehicle so you can confidently transform your Q60. For more information and to shop online for Genuine INFINITI Accessories, go to [parts.infiniti.com](http://parts.infiniti.com).



#### INFINITI RADIANT INTERIOR AMBIENT LIGHTING

A warm glow emanating from both footwells and cup holders welcomes you as you get settled. The effect adds ambience to the interior and enhances its modern appeal.

#### CARBON FIBER-LOOK REAR BUMPER PROTECTOR AND TRUNK PROTECTOR (CARGO TRAY)

Add the unmistakable presence of carbon fiber to your Q60 while protecting the rear bumper from minor scrapes and scuffs. Inside the trunk, a heavy, durable and flexible cargo tray prevents spills and helps secure items while driving.<sup>21</sup>

#### INFINITI RADIANT ILLUMINATED KICK PLATES

The INFINITI logo glows softly along the bottom of the front door sills – a signature flourish you and your passenger will appreciate every time you get in.

**SPORT FLOOR MATS** Sophisticated design and modern materials make these floor mats a perfect match for the interior of your Q60. A specially placed rubber section guards against the wear and tear of heels.

**INFINITI 4G WI-FI** Enables you to seamlessly and securely conduct internet activities in stationary or moving vehicle. Your vehicle becomes a roving Wi-Fi hotspot, connecting up to five devices to the internet in and around the car.<sup>22</sup>

**CARBON FIBER REAR DECKLID SPOILER** Give your Q60 the ultimate performance-inspired accessory. Carbon fiber enhances the dynamic character of the spoiler in a way that sets your sports coupe apart from other vehicles.

**ACCESSORIES SHOWN** Carbon Fiber Rear Decklid Spoiler, Carbon Fiber Side Mirror Covers, INFINITI Black Sport Grille with Radiant Grille Emblem, INFINITI Radiant External Ground Lighting, Carbon Fiber Fender Vents, Carbon Fiber Fog Light Finishers and 20" Accessory 5-Spoke Wheels.



# HOLDS NOTHING BACK: Q60 RED SPORT 400

Amplify every action. INFINITI performance unleashes technologies that heighten the moment. A twin-turbo V6 with 400 hp<sup>1</sup> that reduces lag for near instantaneous acceleration. World's first digitally adaptive handling with suspension and steering that responds at lightning speed to you and the road.<sup>2</sup> Large 20-inch wheels with Sport Brakes push performance even further, while available Monaco Red leather-appointed seats<sup>3</sup> and Silver Optic Fiber interior trim<sup>3</sup> tap into your inner drive. All created to propel you forward with a newfound confidence, giving you everything and holding back nothing.



# TECHNICAL SPECS

## EXTERIOR DIMENSIONS

Coefficient of drag – 2.0t PURE, 2.0t LUXE, 3.0t LUXE, 3.0t SPORT / RED SPORT 400	0.28 / 0.29
Coefficient of drag – 3.0t LUXE AWD / 2.0t PURE AWD, 2.0t LUXE AWD, 3.0t SPORT AWD, RED SPORT 400 AWD	0.28 / 0.29
Turning diameter (feet) – RWD / AWD	36.7 / 38.1

## INTERIOR DIMENSIONS

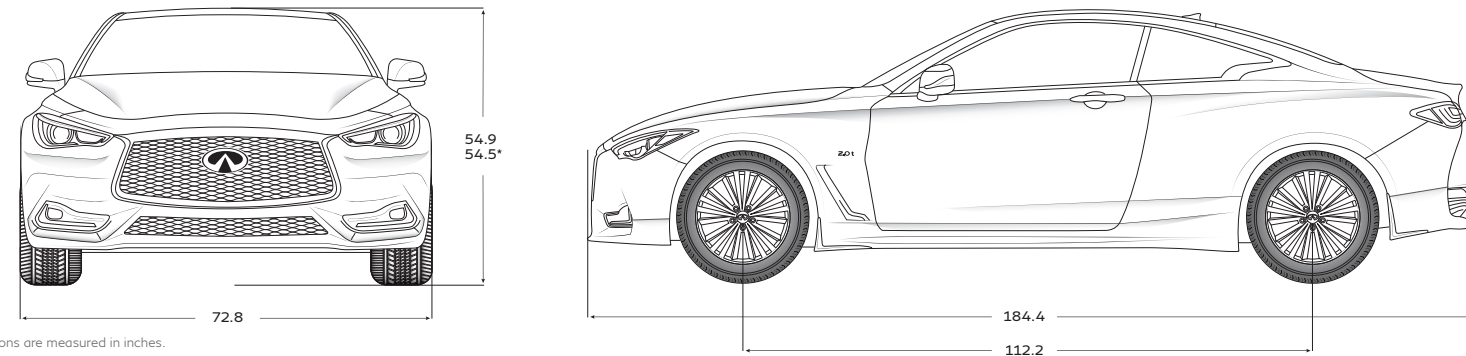
Cargo volume (cubic feet)	8.7
Headroom with moonroof (inches) – Front / Rear, without moonroof (inches) – Front / Rear	37.4 / 34.5, 37.9 / 34.5
Legroom (inches) – Front / Rear	43.1 / 32.4

## WEIGHT AND CAPACITY

Curb weight RWD (lbs) – 2.0t PURE / 2.0t LUXE / 3.0t LUXE / 3.0t SPORT / RED SPORT 400	3,727 / 3,765 / 3,778 / 3,851 / 3,868
Curb weight AWD (lbs) – 2.0t PURE / 2.0t LUXE / 3.0t LUXE / 3.0t SPORT / RED SPORT 400	3,857 / 3,895 / 3,946 / 4,025 / 4,040
Fuel capacity (gallons)	20

See infinitusa.com for complete list of specifications.

\*Q60 3.0t LUXE, Q60 3.0t SPORT and Q60 RED SPORT 400 models only.



All dimensions are measured in inches.

1 Available on select models. 2 Parking aid/convenience feature. Cannot completely eliminate blind spots. May not detect every object and does not warn of moving objects. Always check surroundings and turn to look behind you before moving vehicle. 3 Driving is serious business. Only use INFINITI InTouch Services and INFINITI InTouch Services Premier when safe to do so. Never program while driving. GPS mapping may not be detailed in all areas or reflect current road status. Services, including Automatic Crash Notification and Emergency Call, require an active subscription and are dependent upon the telematics device being in an operative condition, its ability to connect to a wireless network, compatible wireless network availability, navigation map data, and GPS satellite signal reception, the absence of which can limit or prevent the ability to reach INFINITI InTouch Services Customer Care or receive support. Services require compatible 3G GSM/GPRS cellular network provided by AT&T. 3G cellular network not available in Guam, Puerto Rico, U.S. Virgin Islands, Saipan or American Samoa. Cellular technology is evolving, and changes to cellular networks provided by independent companies are not within INFINITI's or Sirius XM Connected Vehicle Service's Inc.'s control. Certain vehicle services, including Google<sup>®</sup> compatible services, provided by independent companies are not within INFINITI's or Sirius XM's control and are subject to change without notice or liability to INFINITI, its affiliates and agents or Sirius XM. Like other devices that rely on network coverage, once the network service is discontinued, INFINITI InTouch services will not function without equipment replacements, upgrades, or alternative network coverage, which neither INFINITI nor Sirius XM can guarantee. INFINITI and Sirius XM are not responsible for associated costs that may be required for continued operation due to cellular network shutdown or discontinuation (including equipment upgrades, if available, or roaming charges on alternative networks). 12-month trial subscription begins on your date of purchase or lease of your new INFINITI. Subsequently, your credit card (if on file) will be charged at the then current subscription rate and your service will renew automatically under the terms of your subscription. Standard text rates and/or data usage may apply. Terms and Conditions of Subscription Agreement apply. See [www.infinitusa.com/intouch](http://www.infinitusa.com/intouch) for more information. 4 Required monthly subscriptions sold separately for each available SiriusXM feature after trial period, and are continuous until you call SiriusXM to cancel. Installation costs, one-time activation fee, other fees and taxes will apply. Each SiriusXM feature availability is dependent upon vehicle model, trim level, packaging, and/or options, and may only be available in select markets. Satellite Radio U.S. service, NavWeather service, and SiriusXM TravelLink services (if any of the foregoing features are equipped on vehicle) available only to those 18 or older in the 48 contiguous states and D.C. Fees and programming subject to change. Subscriptions governed by Customer Agreement available at [siriusxm.com](http://siriusxm.com). ©2017 Sirius XM Radio Inc. Sirius, XM and all related marks and logos are trademarks of Sirius XM Radio Inc. 5 Driving is serious business and requires your full attention. If you have to use the connected device while driving, exercise extreme caution at all times so full attention may be given to vehicle operation. iPod is a registered trademark of Apple Inc. All rights reserved. iPod<sup>®</sup> not included. 6 Availability of specific features is dependent upon the phone's Bluetooth<sup>®</sup> support. Please refer to your phone's Manual for details. Bluetooth word mark and logos are owned by Bluetooth SIG, Inc., and any use of such marks by INFINITI is under license. See <http://www.infinitusa.com/bluetooth> for details. 7 Never program while driving. GPS mapping may not be detailed in all areas or reflect current road status. 8 State laws may apply; review local laws before using. 9 Blind Spot Warning/Blind Spot Intervention Systems are not a substitute for proper lane change procedures. The systems will not prevent contact with other vehicles or accidents. They may not detect every object and speed limitations apply. Always check surroundings and turn to look behind you before moving vehicle. See owner's manual for details. 10 BCI will not detect every object, and speed limitations apply. Always check surroundings and turn to look behind you before moving vehicle. 11 AVM with MOD cannot completely eliminate blind spots and may not detect every object. MOD operates at vehicles speeds below 5 mph. Always check surroundings and turn to look behind you before moving vehicle. 12 The Sonar System is a convenience, not a substitute for proper parking and/or backing procedures. Always check that it is safe to do so before moving vehicle. May not detect every object. 13 PFCW is intended to warn you before a collision occurs; it cannot prevent a collision. Speed and other limitations apply. See Owner's Manual for details. 14 FEB with Pedestrian Detection is not a replacement for responsible driving. May not provide warning or braking in certain conditions. Limitations apply. See Owner's Manual for details. 15 Intelligent Cruise Control is not a collision avoidance system or warning device. Designed to use limited braking. Failure to apply the brakes could result in an accident. 16 Lane Departure Warning/Lane Departure Prevention Systems operate only when the lane markings are clearly visible. Speed limitations apply. See Owner's Manual for details. 17 Active Lane Control cannot prevent accidents or loss of control. It is the driver's responsibility to be in control of the vehicle at all times. ALC may not detect the lane markers in certain road, weather or driving conditions. 18 Distance Control Assist helps maintain a distance to the vehicle in front under certain conditions. Not a collision avoidance system. Failure to apply the brakes could result in an accident. 19 The Advanced Climate Control System with Plasmacluster air purifier helps scrub the air in the vehicle's interior. The system senses exterior odors, suppresses unpleasant interior odors, stops the inflow of external odors and helps keep the cabin smelling fresh, but does not always eliminate odors. 20 Covered by INFINITI's Limited Warranty on Genuine INFINITI Accessories for the longer of 12 months/12,000 miles (whichever is earlier) or the remaining period under the 4-year/60,000-mile INFINITI New Vehicle Limited Warranty. Terms and conditions apply. See Warranty Information Booklet for details. 21 Cargo and load capacity limited by weight and distribution. Always secure all cargo. Heavy loading of the vehicle with cargo, especially on the roof, will affect handling and stability of the vehicle. 22 Driving is serious business and requires your full attention. Only use INFINITI WiFi powered by Autonet Mobile when safe to do so. Only available on select models. See <http://infinituwifi.us/> for complete availability details. INFINITI WiFi requires compatible cellular network provided by Autonet Mobile, the absence of which can limit or prevent the ability of INFINITI WiFi. Cellular network not available in all areas and/or at all times. Technology is evolving, and changes to cellular networks provided by independent companies or other third party changes that impact INFINITI WiFi are not within INFINITI's control. Should a third party or Autonet Mobile terminate or make changes that impact the service, service may be terminated without notice and INFINITI shall have no liability. Enrollment and Subscription Agreement is required to receive INFINITI WiFi through Autonet Mobile. Terms and conditions of Subscription Agreement apply.

Bose is a registered trademark of Bose Corporation.