



SATURN

SKY



2007

INTRODUCING THE ROADSTER ONLY SATURN COULD BUILD.

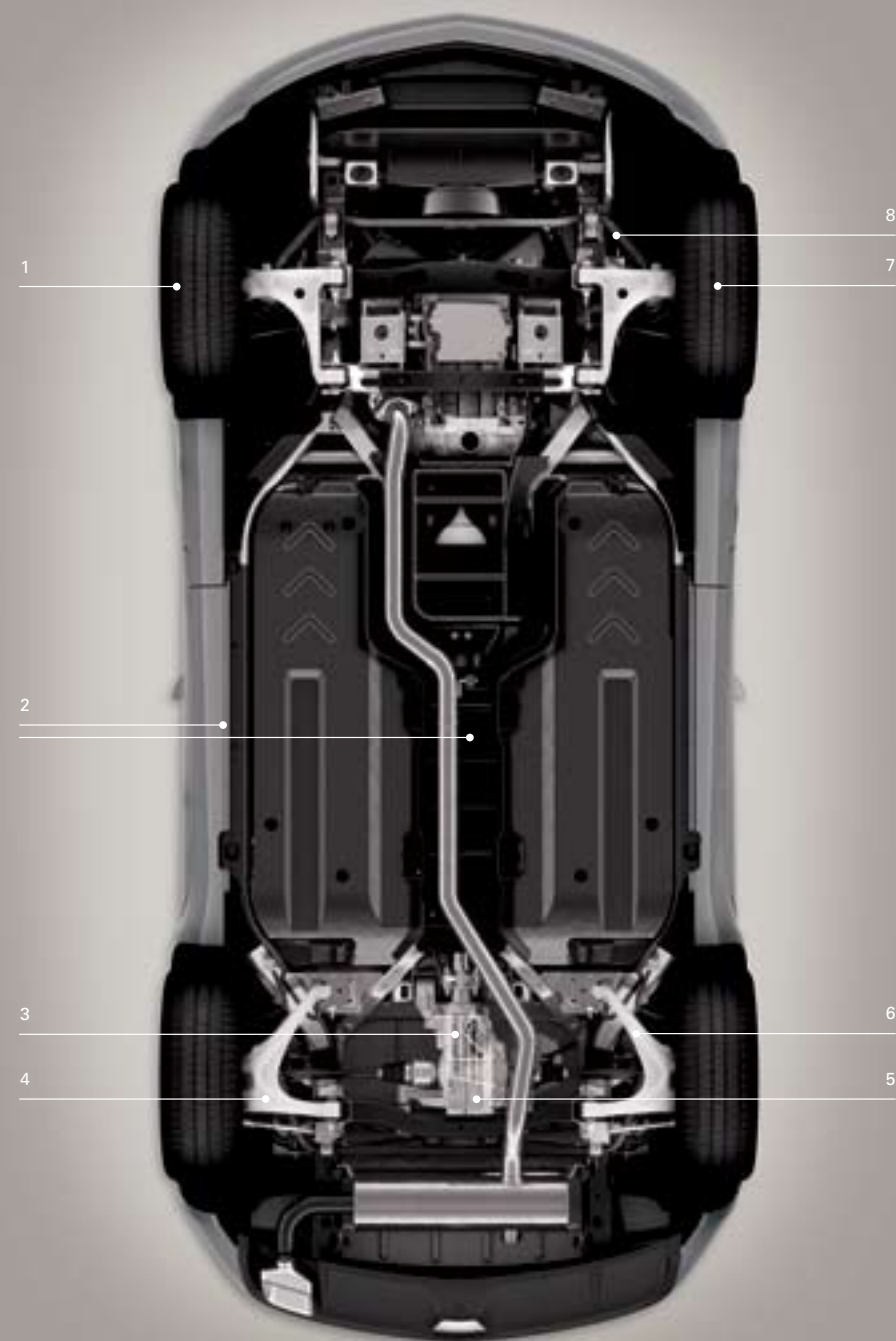
What does it take to build the modern roadster? At Saturn, it means searching for a better way of doing things, a more imaginative way of shaping sheet metal, a stronger relationship between comfort and performance. It means building a car with the features you want, not just the features you need, and making that car as easy to own as it is to buy. Most of all, it means building a car that will make every experience more vivid, every drive more meaningful, every road more open. Welcome to the world according to the Saturn SKY.



THERE'S NO SUCH THING AS TOO MANY

CURVES.

This is a car designed, built and driven for the pleasure of navigating twists and turns. The SKY's wide stance is engineered to hug the road tenaciously, while its firm-but-forgiving suspension and specially tuned monotube shocks ensure that you feel more of the bends in the road and less of the bumps. With pedals set for intuitive heel-toe driving, power comes easily at the apex of every turn. For that, thank the 177-horsepower 2.4-liter engine enlivened by Dual Variable Valve Timing. The SKY's Dual VVT controls both the intake and exhaust valve timing for extra muscle. A flick of the wrist on the short-throw, five-speed manual transmission will prove convincing. This is a car designed to ensure that the best of the road stays with you, and the rest of the road never gets to you.



ENGINEERED FOR CURVES FROM THE GROUND UP.

We built a true roadster instead of simply converting a coupe: 1) Four-wheel disc brakes with ABS, including dynamic rear proportioning to optimize front-to-rear brake balance in a variety of driving situations. 2) Hydroformed steel longitudinal frame rails and an enclosed driveshaft tunnel add rigidity for agile handling. 3) Rear-wheel drive and front engine placement contribute to near 50/50 weight distribution for balanced handling. 4) Aluminum control arms and knuckles reduce weight for more nimble driving. 5) Available limited slip differential supplies extra traction. 6) Four-wheel independent short-long arm suspension with coil-over Bilstein monotube shocks designed for high-performance driving. 7) Custom-tuned Goodyear Eagle RS-A P245/45R18 tires for improved lateral acceleration and enhanced braking performance. 8) Front and rear hollow stabilizer bars minimize body roll.



YOUR OWN PERSONAL 50 CUBIC FEET OF PERFECTION.

Surrounded by shoulder-high sheet metal, both driver and passenger sit cradled by deep, bolstered sport seats that provide extensive lateral support during cornering. Notice the material—cloth or optional leather appointments—is sewn with contrast stitching, calling attention to the craftsmanship. The large, motorcycle-style gauges anchor the driver instrument control panel, set just behind the steering wheel amid glossy piano-black finish and bold flashes of chrome-plated details. The sound system can be bold, too. Besides the standard six-speaker CD player, you have a choice of two available 225-watt Monsoon® systems: a CD /MP3 player or a six-disc, in-dash CD /MP3 player. You'll also find power windows, door locks and exterior mirrors all close at hand, plus remote keyless entry and air conditioning, all standard—though the SKY's interior is anything but.



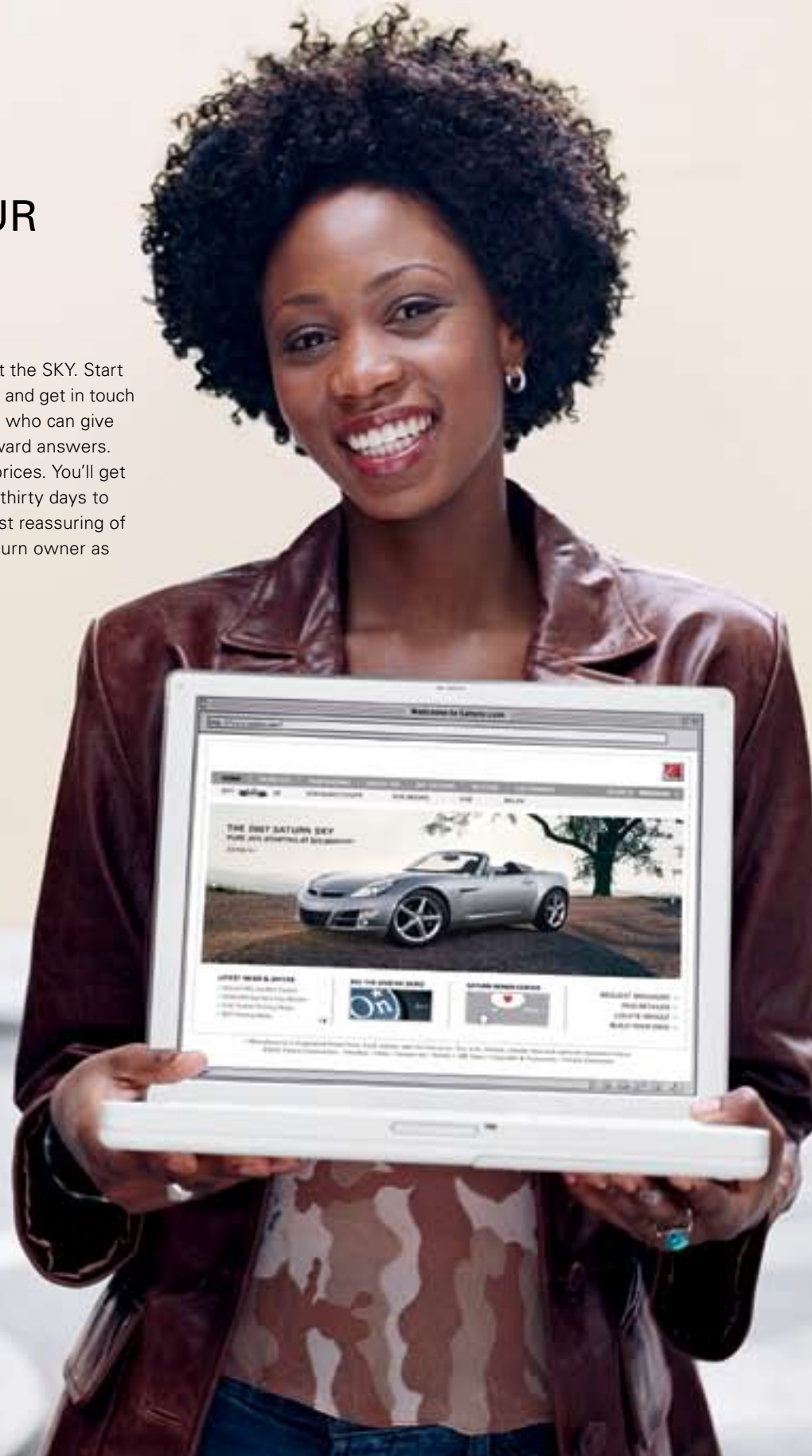


LET NATURE BECOME YOUR PASSENGER.

The SKY is a two seater with room for infinite experiences. There, above and beyond the windshield, is the half of the world that you've been missing—the top half. So now you can take your senses for a joy ride, where you're sure to appreciate an entirely different kind of new car smell: fresh air. You'll find it's always available in the SKY.

THE SKY GETS YOUR ATTENTION, AND YOU GET OURS.

Chances are you'll want to learn even more about the SKY. Start at saturn.com, where you can build your own SKY and get in touch with your local retail location. It's home to people who can give you much more than a car. You'll get straightforward answers. You'll get a no-hassle experience and no-haggle prices. You'll get our Vehicle Exchange Program,¹ which gives you thirty days to make sure you feel great about your car. And most reassuring of all, you'll get as much attention after you're a Saturn owner as you did when you first walked in the showroom.



¹See inside back cover for details about Saturn's 30-day Vehicle Exchange Program.

IMPORTANT WORDS ABOUT THIS CATALOG

We have tried to make this catalog comprehensive and factual. We reserve the right, however, to make changes at any time, without notice, in prices, colors, materials, equipment, specifications, models and availability. Specifications, dimensions, measurements, ratings and other numbers in this catalog and other printed materials provided at the retailer or affixed to vehicles are approximates based upon design and engineering drawings and prototypes and laboratory tests. Your vehicle may differ due to variations in manufacture and equipment. Because some information may have been updated since the time of printing, please check with your Saturn retailer for complete details. Saturn reserves the right to lengthen or shorten the model year for any product for any reason, or to start and end model years at different times.

A NOTE ABOUT AIR BAGS AND CHILD SAFETY

Always use safety belts and the correct child restraint for your child's age and size. Even in vehicles equipped with air bags and the Passenger Sensing System, children are safer when properly secured in a rear seat. Never place a rear-facing infant restraint in the front seat of any vehicle equipped with an active air bag. Air bag inflation can cause severe injury or death to anyone too close to the bag when it deploys. Be sure every occupant is properly restrained. See your vehicle Owner's Handbook and child-safety seat instructions for more information.

ONSTAR INFORMATION

OnStar services require vehicle electrical system (including battery), wireless service and GPS satellite signals to be available and operating for features to function properly. OnStar acts as a link to existing emergency service providers. Subscription Service Agreement required. Call 1-888-4ONSTAR (1-888-466-7827) or visit onstar.com for OnStar's Terms and Conditions, Privacy Policy and system limitations and details.

SATURN'S VEHICLE EXCHANGE PROGRAM

Within the first 30 days or 1,500 miles of delivery, whichever comes first, the original purchaser may exchange his or her Saturn vehicle if not completely satisfied. In the event that an owner returns his or her vehicle, he or she will exchange it for another 2007 Saturn vehicle. See retailer for limitations and restrictions. All the same factory-supported initiatives will be included on the exchange vehicle that were on the original vehicle. The vehicle must be returned in the condition in which it was delivered, without damage or excessive wear and tear. If non-warranty repairs equal to or greater than \$300 have been performed or are necessary, the vehicle is not eligible to be returned; if less than \$300, the damage must be repaired or the estimate deducted from the credit toward the exchange vehicle.

NEW VEHICLE LIMITED WARRANTY

This warranty is for GM vehicles registered in the United States. See your Saturn retailer for terms and conditions. Covered for 3 years / 36,000 miles (whichever comes first): the complete vehicle, tires, towing to your nearest Saturn retailer, cosmetic corrosion resulting from defects, repairs made to correct any vehicle defect, with no charge for most warranty repairs. Covered for 6 years / 100,000 miles (whichever comes first): rust-through corrosion.

CORROSION PROTECTION

Saturn vehicles are designed and built to resist corrosion. All body and sheet metal components are warranted against rust-through corrosion for 6 years or 100,000 miles, whichever comes first. Application of additional rust-inhibiting materials is not required under the corrosion coverage and none is recommended. See your Saturn retailer for terms of this limited warranty.

AN IMPORTANT NOTE ABOUT ALTERATIONS AND WARRANTIES

Installations or alterations to the original equipment vehicle (or chassis) as distributed by GM are not covered by the GM New Vehicle Limited Warranty. The special body company, assembler, equipment installer or upfitter is solely responsible for warranties on the body or equipment and any alterations (or any effect of the alterations) to any of the parts, components, systems or assemblies installed by GM. GM is not responsible for the safety or quality of design features, materials or workmanship of any alterations by such suppliers.

ASSEMBLY

Saturn vehicles and their components are assembled or produced by different operating units of GM, its subsidiaries or suppliers to GM worldwide. We sometimes find it necessary to produce Saturn vehicles with different or differently sourced components than originally scheduled. Because some options may be unavailable when your vehicle is assembled, we suggest you verify that your vehicle includes the equipment you ordered or, if there are changes, that they are acceptable to you.

ENGINES

Saturn products are equipped with engines produced by GM Powertrain or other suppliers to GM worldwide. The engines in Saturn products may also be used in other GM makes and models.

UPDATED SERVICE INFORMATION

Saturn retailers receive useful service bulletins about Saturn products. See your retailer for more information.

SKY

POWERTRAIN

Engine	2.4-liter, 16-valve, inline-4, Dual VVT intake / exhaust, cast aluminum block and cylinder head
Horsepower	177 @ 6,600 rpm
Torque (ft. lbs.)	166 @ 4,800 rpm
Bore and stroke / compression ratio	88 x 98 mm / 10.4:1
Transmission	5-speed manual with short-throw shifter Available electronically controlled 5-speed automatic

PERFORMANCE

0-60 mph	7.2 seconds
Maximum lateral acceleration (skid pad)	0.90 g
60-0 mph	116 feet

WEIGHTS AND CAPACITIES

Curb weight (lbs.), manual / automatic	2,933 / 2,963
Cargo-area volume (cu. ft.), top up / stored	5.4 / 2.0
Fuel / capacity (approx. gal.)	Unleaded 87 octane (premium recommended) / 13.6

FUEL ECONOMY ESTIMATES (CITY / HWY MPG¹)

Manual transmission	20 / 28
Automatic transmission	22 / 26

CHASSIS AND BODY

- Front-engine / rear-wheel drive, near 50 / 50 weight distribution
- Hydroformed steel clamshell hood, inner doors and rear quarter-panels
- Available limited slip differential
- Lower-dominant, integral hydroformed tube and stamped steel body structure
- Four-wheel independent short-long arm suspension
- Bilstein coil-over monotube shocks
- Front and rear lightweight hollow stabilizer bars with ball-joint links
- Four-wheel anti-lock disc brakes (vented front: 11.7" rear: 10.9")
- Stainless steel high-flow exhaust system with polished aluminum tip
- 18-inch flangeless painted alloy wheels
- Goodyear Eagle RS-A P245 / 45R18 96V performance all-season tires

COMFORT AND CONVENIENCE

- Power windows, power exterior mirrors and power programmable door locks
- Air conditioning with electronic controls for precise adjustments
- Remote keyless entry with extended range
- Sound-insulated cloth convertible top with defroster-equipped glass rear window
- Steering wheel mounted cruise control and driver information center buttons
- CD player with AM / FM stereo, six speakers, auxiliary input jack
- Available CD / MP3 player, 225-watt Monsoon® system, auxiliary input jack
- Available six-disc, in-dash CD / MP3 player, 225-watt Monsoon® system, auxiliary input jack
- Available XM Satellite Radio with access to over 150 channels²
- Available Premium Trim Package includes leather-appointed seats, leather-wrapped steering wheel with contrast stitching and audio controls, metallic-finish sill plates and stainless steel pedal covers

SAFETY

- OnStar® System with one-year Safe & Sound Service Plan³
- Dual-stage front air bags with Passenger Sensing System⁴
- Three-point safety belts with pretensioners and load-limiting retractors
- Security system and engine-immobilizing theft-deterrent feature
- Automatic projector-beam halogen headlamps and daytime running lamps
- Projector-beam halogen foglamps

SKY DIMENSIONS

Headroom	38.4"	Shoulder room	52.7"
Legroom	42.7"	Passenger vol.	50 cu. ft.
Hip room	50.6"		



¹Fuel economy estimates based on GM testing. Official EPA estimates not yet available. ²Available only in the 48 contiguous United States. Service fees extra. Visit gm.xradio.com for system details. ³Call 1-888-4ONSTAR (1-888-466-7827) or visit onstar.com for system limitations and details. ⁴Always use safety belts and proper child restraints, even with air bags. See the Owner's Manual for more safety information.

EXTERIOR COLORS

To see the whole SKY in every color, visit saturn.com/sky.



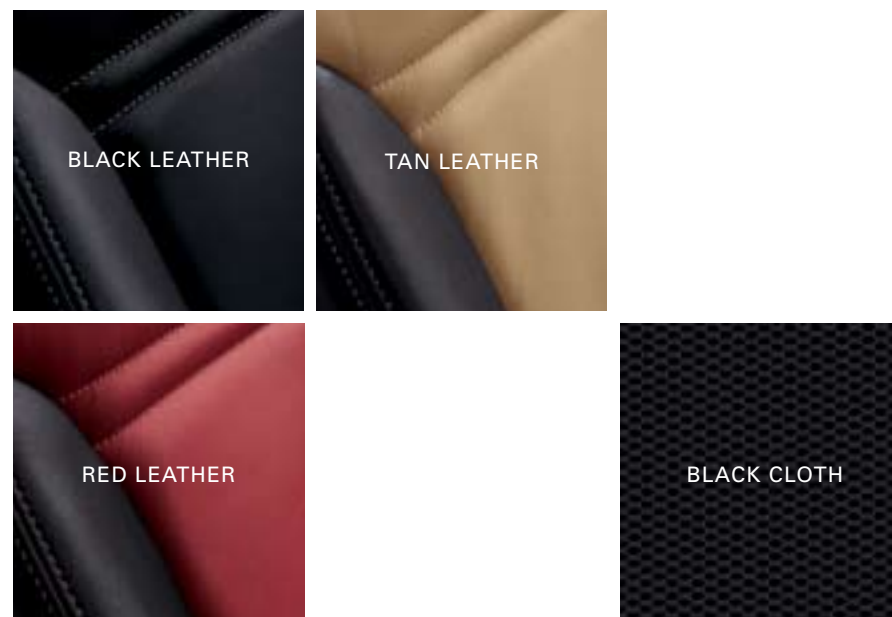
COLOR GROUPS

For a closer look at your interior choices, see your Saturn retailer.

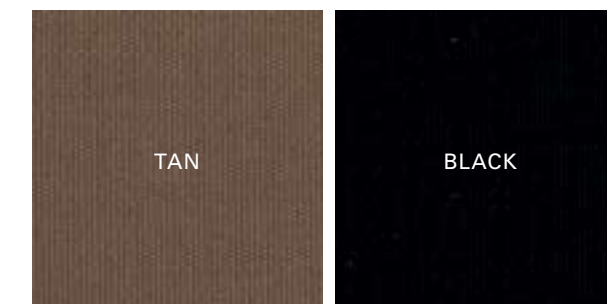
*Not available at start of production.

EXTERIOR PAINT	INTERIOR CLOTH / MATCHING TOP	AVAILABLE LEATHER / MATCHING TOP
Black Onyx	BLACK / BLACK	BLACK / BLACK, RED / BLACK, TAN / BLACK, TAN / TAN
Polar White	—	BLACK / BLACK, RED / BLACK, TAN / TAN
Silver Pearl	BLACK / BLACK	BLACK / BLACK, RED / BLACK
Silver Graphite	BLACK / BLACK	BLACK / BLACK, RED / BLACK
Midnight Blue	—	BLACK / BLACK, TAN / TAN
Bluestone*	BLACK / BLACK	BLACK / BLACK, TAN / TAN
Forest Green	—	BLACK / BLACK, TAN / TAN
Chili Pepper Red	BLACK / BLACK	BLACK / BLACK, TAN / TAN
Sunburst Yellow	—	BLACK / BLACK

INTERIOR COLORS



CLOTH TOP COLORS



The premium cloth top is not only weatherproof, it's also insulated to reduce wind and road noise. When lowered, it stores securely out of sight underneath the rear deck lid, helping both your aerodynamics and silhouette stay slippery.



There is a way to recapture the world's imagination. To make pulses rise and heads turn. To make innovation as basic as breathing, and design more thoughtful. There is a way to stay the same in one way, and evolve in another. To replace hassle and haggle with learn and listen. There is a way to treat people like always. There is a way to make cars like never before. Saturn. Like always. Like never before.

