

1991  
**DODGE**  
CARAVAN



D-42611      DT  
Salem Autorama, Inc.  
339 S. Broadway  
Salem, OH 44460

# Advantage: Safety



Lee A. Iacocca  
Chairman of the Board and CEO,  
Chrysler Corporation

No other automaker shares Dodge's commitment to making value-packed, affordable vehicles that are safe and comfortable for your family. Dodge has taken a serious stand on the implementation of new technologies such as all-wheel drive and antilock brakes and has begun installing these innovations into the vehicles being built today—not ten years from now. And as the performance division, Dodge has kept pace with engine and transaxle technology so that we can equip our vehicles with advanced power trains that couple performance with efficiency.

In addition to those presented here, many other safety features are also available on Caravan. As you look through this catalog, you will see that when it comes to protecting your family, we mean business.

## All-Wheel Drive.

An advanced all-wheel-drive system is now available on Dodge Caravan. All-wheel drive provides superior traction and handling in wet or slippery conditions. All-wheel drive also makes Caravan better at climbing hills.

Caravan's all-wheel drive is an "on-demand" system. When extra traction is needed, the system automatically adjusts the distribution of torque to the front and rear wheels. The driver does

not have to activate or engage the system in any way. The safety and security benefit of all-wheel drive is there when needed, even in unexpected slippery conditions.

All-wheel drive is available on Caravan SE, LE and ES models, standard and long wheelbase.

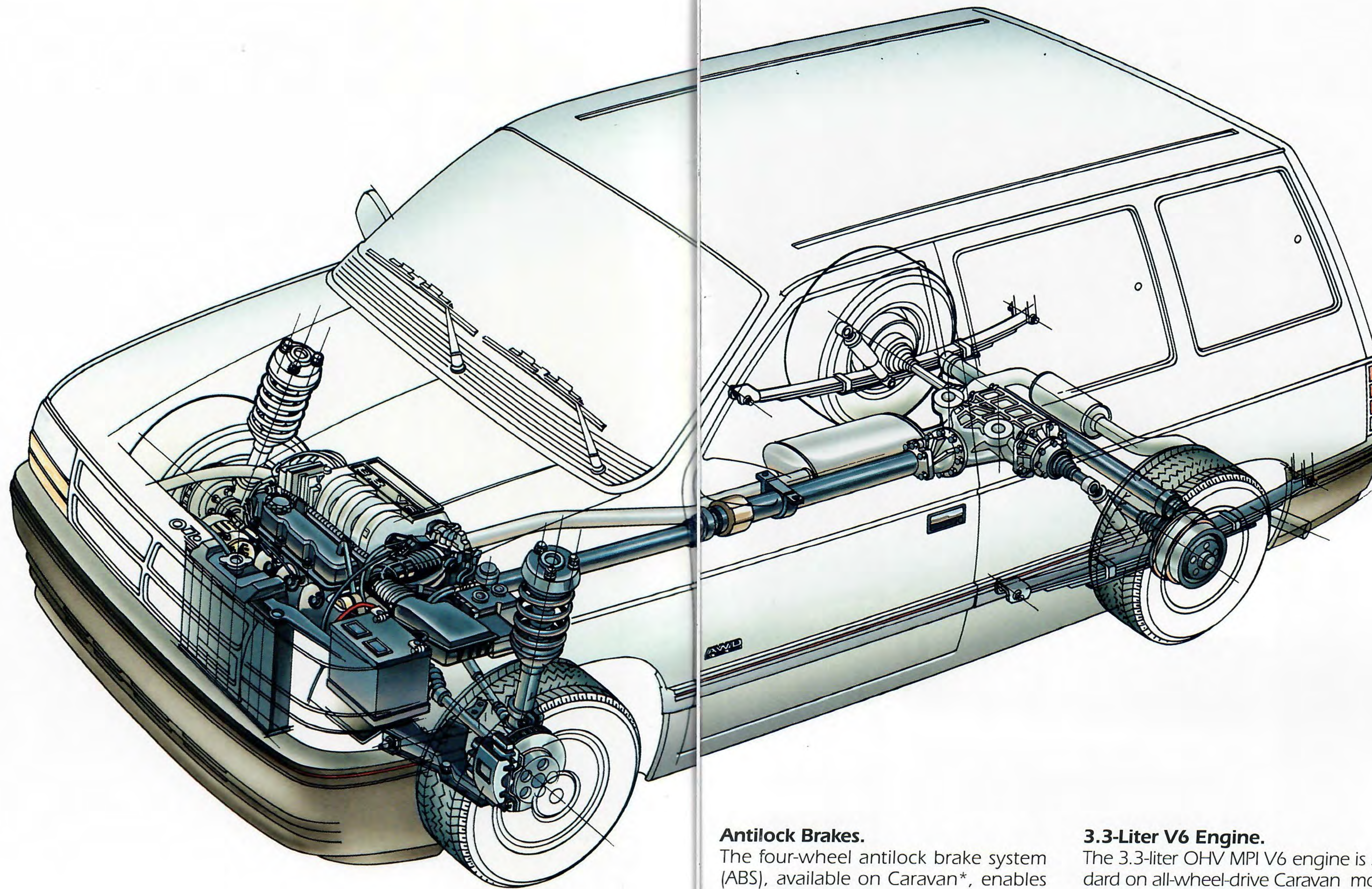
## Unibelt Three-Point Restraints.

Unibelt three-point restraints consist of a one-piece lap and shoulder belt. The belt is attached to a pillar-mounted retractor that is vehicle-sensitive. It locks up instantly during severe deceleration of the vehicle or in a collision.

Unibelt restraints are provided for front and rear outboard passengers, giving them the safety benefit of a shoulder restraint.



Unibelt three-point shoulder/lap restraints are provided for front and rear outboard passengers.



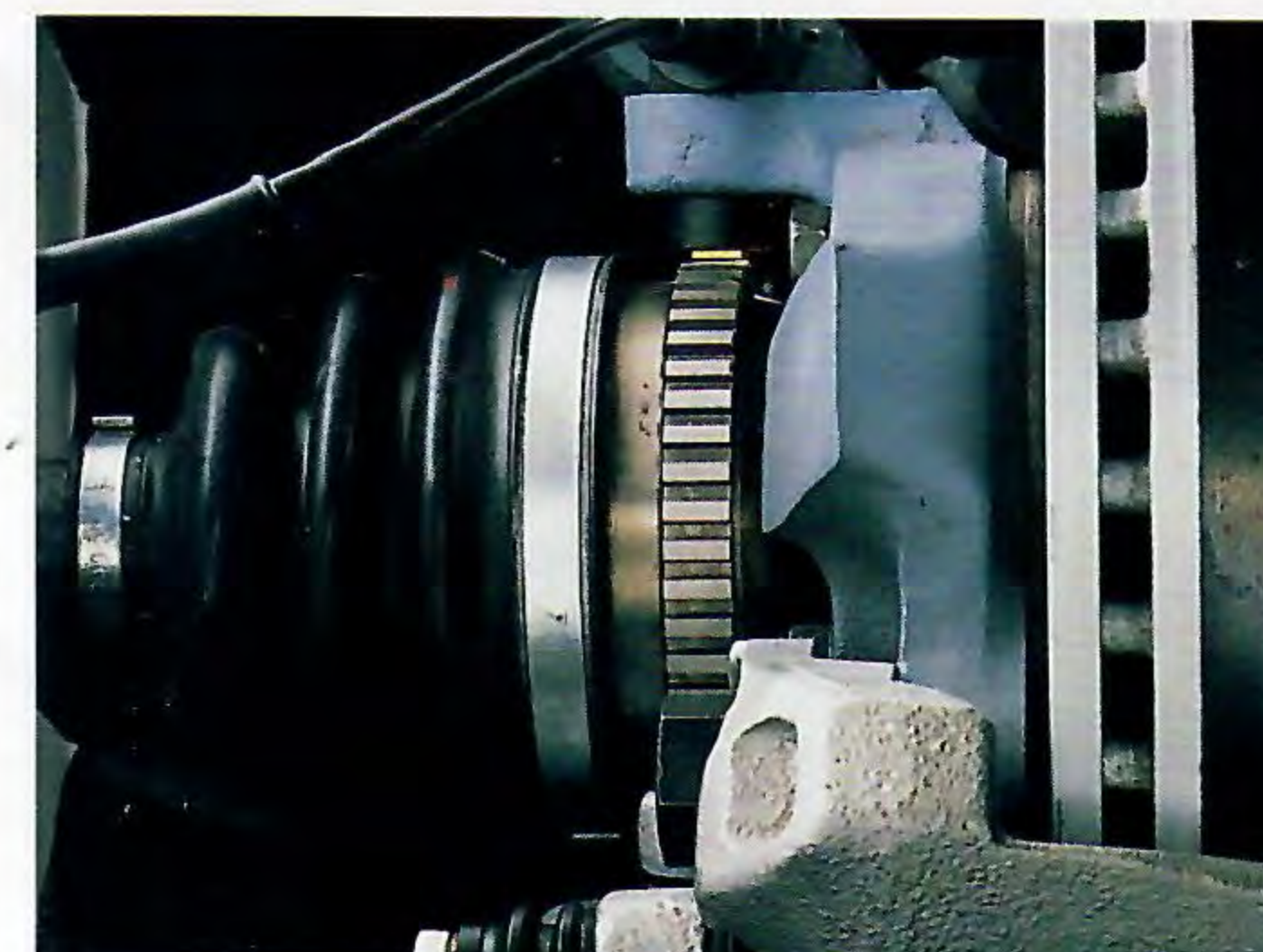
Caravan's available all-wheel-drive system and the impressive power of the 3.3-liter V6 offer superior driving confidence. In poor traction situations, the all-wheel-drive system delivers the torque to the wheels that need it most to keep you going.

## Antilock Brakes.

The four-wheel antilock brake system (ABS), available on Caravan\*, enables the driver to stop in as short a distance as possible while maintaining directional stability. ABS helps the driver control the vehicle during heavy braking.

Speed sensors on all four wheels detect wheel lockup like that which might occur on slippery surfaces. A control unit modulates hydraulic pressure to prevent lockup, thus reducing the likelihood of skids.

\*Late availability on AWD models.



ABS automatically modulates brake pressure as needed to bring the vehicle to a controlled, predictable stop.

## 3.3-Liter V6 Engine.

The 3.3-liter OHV MPI V6 engine is standard on all-wheel-drive Caravan models and Grand Caravan, and optional on Caravan SE and LE. This workhorse weighs in at 150 horsepower at 4,800 RPM and 185 pound-feet torque at 3,600 RPM.

The all-wheel-drive system utilizes the extra torque of the 3.3-liter, transferring it to the rear wheels in poor traction situations.

## Warranty.

Every Caravan model comes with Chrysler's world-famous 7/70 Protection Plan. The 7/70 Power Train Limited Warranty gives Dodge vehicles longer warranty protection than other vehicles in their respective classes.

In addition, there's the 7/100 Anti-corrosion Limited Warranty. With it, your dealer will repair or replace at no charge outer body sheet metal panels found to have developed perforation (rust-through) in normal use up to seven years or 100,000 miles.

# Advantage: Value

Dodge offers a variety of option packages on Caravan and Grand Caravan, including special packages that provide big discounts\* on the equipment you want and need most. Below are just a few examples of how you can save when you equip selected Caravan models with one of the many discount option packages available.

## Luxury Value Package.

The Luxury Value Package combines comfort and value with an Infinity I stereo, power windows and power driver's seat. Valued at \$1,007, it's now discounted \$775\* on the Caravan LE. That's a 77 percent savings!

## Family Value Package.

You can also enjoy solid savings on the Caravan SE with the Family Value Package. Featuring air conditioning, rear window defroster, deluxe sound insulation and a light group, it boasts a \$300\* discount — a 22 percent savings over the regular MSRP.

See the back cover for more details on the option packages available for the new 1991 Caravan.

\*Package savings based on price of equipment if purchased separately.

NOTE: Prices may change. See your dealer for details.

Some of the equipment shown or described throughout this catalog is available at extra cost.

**About this catalog.** Since the time of printing, some of the information you'll find in this catalog may have been updated. Ask your dealer for details.

## Why Caravan?

Dodge Caravan was the first mini van, it's still the best on the market and it is all-new for 1991. No other manufacturer even comes close to matching Caravan's perfect balance of practicality and style. Now, Caravan, the perennial leader of the pack, has gotten even better...

For 1991, Caravan introduces a sophisticated all-wheel-drive system for advanced safety and security. Four-wheel antilock brakes, which provide superior stopping ability, are also available.

Caravan has an all-new look. The smart new aerodynamic lines and clean styling of the 1991 Caravan create a stunning visual impact. From the contemporary shape of the exterior sheet metal to the rounded corners and blended surfaces inside, the new Caravan is a modern marvel. And yet, inside and out, Caravan still retains its "form follows function" attitude that made it one of the world's best-selling mini vans...ever.

Caravan was ranked highest in customer satisfaction of all mini vans, foreign or domestic.\*

Seating for seven people is standard on every Caravan model except the Base.

Standard on all Caravan models is a convenient automatic transaxle.

With advantages like this going for it, it's no wonder Caravan is the one the others try to copy.

**ADVANTAGE:  
DODGE**

\*1989/1990 J.D. Power and Associates Light-Duty Truck Customer Satisfaction With Product Quality & Dealer Service<sup>SM</sup> Surveys ('88/'89 models).





## Leaders will always innovate.

Caravan's intelligent interior design set the standard for the industry. When it came time to make the benchmark even better, our design team got the input of a very important source—Caravan owners.

Caravan's new standard front bucket seats are more comfortable and provide even better support. Caravan LE's new standard front seats feature adjustable lumbar supports and headrests for opti-

mum driving comfort. Improved safety protection is provided by Caravan's standard Unibelt three-point shoulder/lap restraints for both front and rear outboard passengers and the child guard lock found on the sliding side door.

Caravan's redesigned instrument panel with its black brushed finish instrument cluster is a picture of ergonomic detail. The new glove box gives you storage space,

plus the glove box door opens to reveal a pair of convenient cup holders.

Finally, Caravan's new available overhead console puts switches for power vent windows, map/reading lights and a handy trip computer right at your fingertips.

Creating the perfect driving environment is and always has been the inside story on Dodge Caravan.



Grand Caravan LE's interior shown in Medium Quartz. Caravan's instrument panel has been redesigned with an emphasis on ergonomics and visibility.



## Let it show you what it's made of.

True toughness of character comes from within, so for 1991, Dodge Caravan offers the hardware to meet challenging driving situations with confidence.

An advanced all-wheel-drive (AWD) system is now available on many Caravan models. All-wheel drive gives Caravan better traction and cornering ability in slippery conditions. The system activates automatically when needed.

Four-wheel antilock brakes\* (ABS) are

another of Caravan's new additions. ABS automatically modulates brake pressure as needed to bring you a controlled, predictable stop.

Also new this year is Caravan's optional Sport Handling Package (available on front-wheel-drive SE and LE models), which features a rear antisway bar that helps keep the rear wheels firmly planted as you tackle the road's twists and turns.

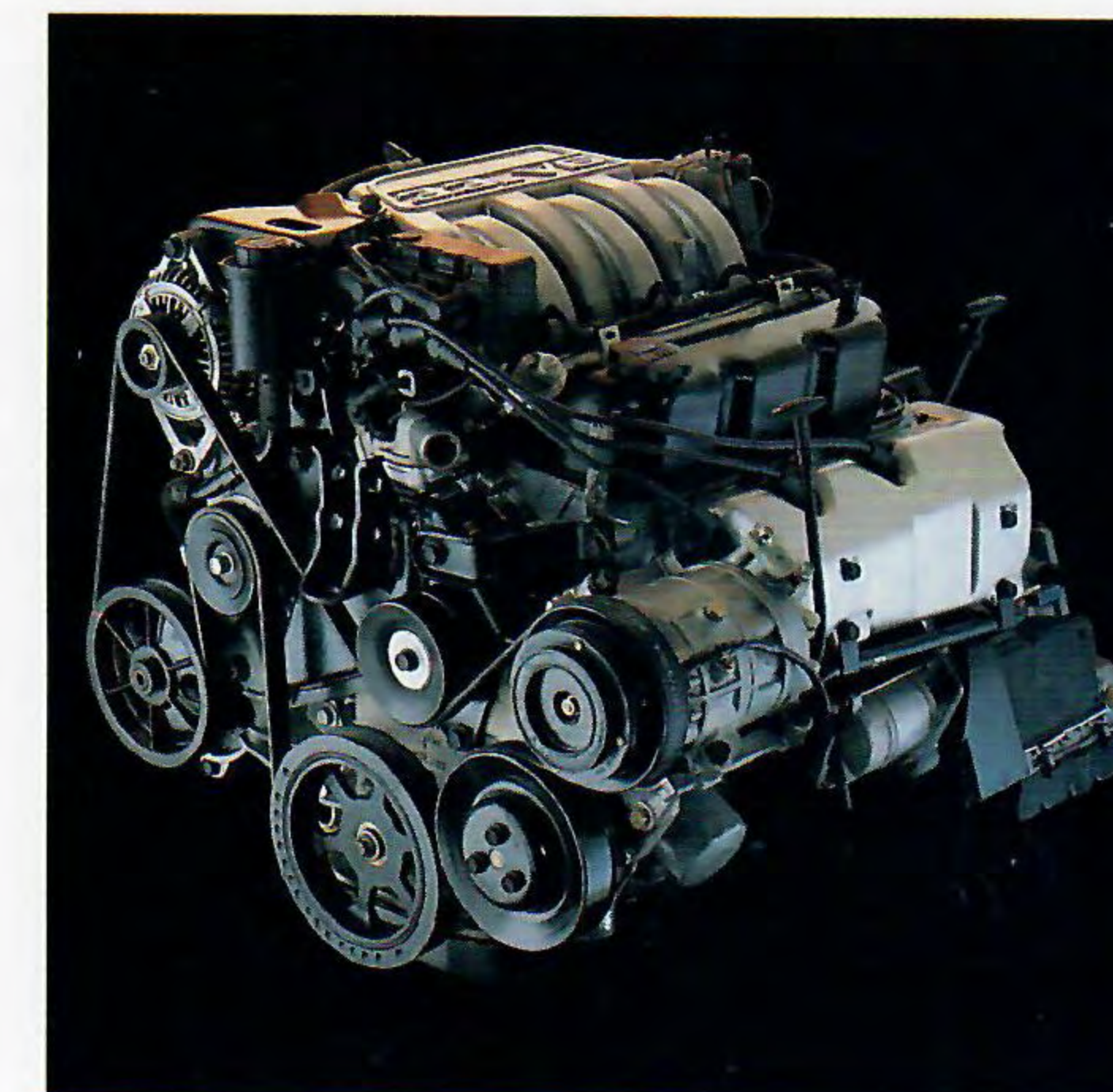
Caravan also offers a choice of two

powerful V6 engines: the megapower 3.3-liter V6 and the supremely competent 3.0-liter V6.† Both of these highly capable power plants are excellent for trailer towing.

So when the going gets tough, rely on Dodge Caravan to keep you going...no matter what.

\*Late availability on AWD models.

†Built by Mitsubishi Motors Corporation.



Grand Caravan LE shown in Claret Red Pearl Coat. The 3.3-liter OHV MPI V6 engine cranks out 150 horsepower at 4,800 rpm and features a direct ignition system for improved engine response.

## The world's most advanced space program.



The new Quad Command Seating Package (optional on all SE and LE models) features four front and rear bucket seats.

When it comes to transporting their precious cargo, families need a vehicle designed and engineered to provide the utmost in safety, versatility and comfort. Dodge Caravan does just that.

### Safety.

Because safety is of primary concern to families, a number of safety features have been added to Caravan. In addition to new available all-wheel drive and four-wheel antilock brakes, there's a new child guard lock on the sliding side door, a center high-mounted stop lamp and a larger liftgate window. The rear wiper/washer system now provides a larger wipe pattern for a greater field of vision, and better visibility is also a benefit from the larger outside mirrors. Plus, the new

available time-delay headlights remain lighted for 60 seconds after the ignition is turned off to help you find your way in the dark.

Of particular importance is the new speed-sensitive actuation feature added to the optional power door locks. Now the doors lock automatically when the vehicle reaches a speed of 15 miles per hour.

### Versatility.

Another Caravan hallmark is its versatility. On all models except the Base, there is standard seating for seven people. When extra cargo room is needed the rear seat folds down easily, or can be removed altogether. With its rear and intermediate seats removed, Caravan has almost twice

as much cargo room as the cargo compartments of some passenger cars and station wagons.

Caravan's new Quad Command Seating Package (optional on all SE and LE models), featuring four front and rear bucket seats, provides a level of comfort usually found only on conversion vans. Remove one rear bucket for more cargo room and leave the other in place for seating. And the Converta-Bed option (available on SE models) lets you turn seating space into sleeping space (late availability).

Caravan's versatility extends outside the vehicle too. When equipped with the 3.3-liter OHV MPI V6 engine and Heavy-Duty Trailer Tow Package, the

Caravan's sliding side door features a new child guard lock.



When equipped with the Heavy-Duty Trailer Tow Package and the 3.3-liter OHV MPI V6 engine, the front-wheel-drive Caravan can tow up to 3,100 pounds.



The new overhead console extends over the second seats where additional lighting is provided for rear seat passengers.

front-wheel-drive Caravan can now pull up to 3,100 pounds.

### Comfort.

What unites the wide selection of Caravan models, standard and long wheelbase, is an uncompromising dedication to ride and comfort. With a design unparalleled in the industry, Dodge Caravan offers van-like utility while retaining its car-like drive quality.

Front- or all-wheel drive, Caravan is easy to maneuver. The improved front suspension with its position-sensitive front struts works to control and smooth the ride.

Maneuvering inside Caravan is easy too. An adult can slip between the front seats to get to the back. The new available overhead console is ideally positioned so that it's easy to reach but out of the way. The sliding side door moves effortlessly, and its "smart" design allows it to be opened and closed in narrow enclosures. And Caravan's low entry height facilitates entry and exit for passengers of all ages and sizes.

Caravan is a true space pioneer. It offers room enough to carry people and cargo, and you get the added benefit of knowing that your family is being transported safely and securely.

For exceptional savings, many of Caravan's options are available as part of option packages. See back page for details.



Caravan shown in Light Champagne Metallic Clear Coat.



Caravan SE shown in Twilight Blue Pearl Coat.



Caravan LE shown in Light Champagne Metallic Clear Coat.



Caravan LE AWD shown in Platinum Silver Metallic Clear Coat/Dark Quartz Metallic Clear Coat Two-Tone.

# Caravan Features and Specifications

## SELECTED STANDARD FEATURES

Caravan LE & LE AWD, Grand Caravan LE & LE AWD			
Caravan SE & SE AWD, Grand Caravan SE & SE AWD			
Caravan			
<b>Chassis</b>			
<b>Brakes</b> — Power-assisted front disc, rear drum with height-sensing proportioning valve	S	S	S
<b>Engine</b> — (see Power Train Chart)	S	S	S
<b>Steering</b> — Power-assisted rack-and-pinion	S	S	S
<b>Transaxle</b> — (see Power Train Chart)	S	S	S

### Exterior

<b>Glass</b> — Tinted, all windows	S	S	S
<b>Mirrors</b> — Outside, dual power remote	S	S	NA
Outside, heated dual power remote	NA	P	S
<b>Windshield Wipers</b> — With variable intermittent wipe feature	S	S	S
<b>Wiper/Washer</b> — Liftgate, fixed intermittent wipe feature	S	S	S

### Interior

<b>Air Conditioning<sup>1</sup></b>	O	O	S
<b>Console</b> — Forward storage	NA	P	S
<b>Glove Box</b>	S	S	S
<b>Instrumentation</b> — Fuel gauge, odometer, trip odometer, speedometer and engine temperature gauge	S	S	S
Tachometer, oil pressure gauge and voltage gauge	P	P	S
<b>Overhead Console</b>	NA	P	S
<b>Power Door Locks</b>	O	O	S
<b>Power Liftgate Release</b>	P	S	S
<b>Rear Defroster</b> — Electric	O	O	S
<b>Seating</b> — Cloth with vinyl trim high-back front bucket seats with intermediate bench seat	S	NA	NA
Cloth with vinyl trim high-back front reclining bucket seats with intermediate and rear bench seats	P	S	NA
Cloth with vinyl trim low-back front reclining bucket seats with intermediate and rear bench seats	NA	NA	S
<b>Sound System</b> — AM/FM stereo	S	S	S
<b>Speed Control</b> — Electronic (requires tilt steering column)	P	P	S
<b>Storage Drawer</b> — Under front passenger seat, lockable	NA	P	S
<b>Tilt Steering Column</b>	P	P	S

## OPTIONS

<b>Air Conditioning/Heater<sup>1</sup></b> — Rear passenger compartment (Grand Caravan front-wheel drive only)	NA	O	O
<b>Antilock Brake System</b> — 4-wheel (requires 3.3-liter engine) <sup>2</sup>	NA	O	O
<b>Converta-Bed</b> — (not available on standard wheelbase AWD models)	NA	O	NA
<b>Glass</b> — Sunscreen, all windows except windshield and front doors	O	O	O
<b>Luggage Rack</b> — Roof-mounted	O	O <sup>3</sup>	O <sup>3</sup>
<b>Power Driver Seat</b>	NA	NA	P
<b>Power Windows</b>	NA	P	P
<b>Seating</b> — Leather-with-vinyl-trim	NA	NA	O
Quad Command Seating Package	NA	O	O
<b>Sound System</b> — AM/FM stereo with cassette	O	O	O
Chrysler Infinity I	NA	O	O
Chrysler Infinity II	NA	O	O

S—Standard O—Optional NA—Not available  
P—Available in package only. See "Option Packages."

<sup>1</sup> There are special engine cooling requirements for field-installed air conditioning. Failure to follow these requirements may invalidate warranty. See dealer for details.

<sup>2</sup> Late availability on AWD models.

<sup>3</sup> Not available on AWD models.

## OPTION PACKAGES

Many of the following option packages provide significant savings on options compared to ordering them individually.

### Family Value Package

Includes air conditioning, electric rear window defroster, dual-note horns (std on SE), Light Package and deluxe sound insulation. (Available on Caravan and all SE models.)

### Storage Convenience Package

Includes forward storage console and underseat lockable storage drawer. (Available on all SE models.)

### Deluxe Convenience Package

Includes electronic speed control, sport steering wheel and tilt steering column. (Available on Caravan and all SE models.)

### Popular Value Package

Includes power door locks, power liftgate release (std on SE), electronic speed control, tilt steering column, sport steering wheel, seven-passenger seating configuration (with rear bench seat) (std on SE), carpeted floor mats, deluxe sound insulation, tachometer, oil pressure gauge, voltage gauge, dual-note horn (std on SE), dual illuminated visor vanity mirrors (SE only) and Light Package. (Standard on all LE models. Available on Caravan and all SE models.)

### Light Package

Includes lights for ash receiver, glove box, front map reading, underhood, ignition with time delay, door ajar, washer fluid warning, liftgate dual flood, storage drawer lamp (if equipped) and illuminated entry system. (Standard on all LE models. Available on Caravan and SE models as part of Family Value Package and Popular Value Package. Not available otherwise.)

### ES Decor Package

Includes 3.0-liter V6 engine (except AWD models which have 3.3-liter V6 engine), electronic four-speed automatic over-drive transaxle, 15-inch aluminum road wheels (set of four), rear sway bar (front-wheel-drive models only), heavy-duty brakes, P205/70R15 radial black sidewall all-season tires (set of four), fog lights, red "Dodge" and "Caravan ES" nameplates on liftgate, Dark Quartz Gray accent-colored front and rear fascias, bodyside and sill appliques with red stripe. Bright White ES models include black-out window treatment, body color grille, wheels, fascias and accents. (Available on standard wheelbase LE only.)

### Sport Handling Package

Includes heavy-duty brakes, rear sway bar, sport suspension, 15-inch wheels with sport wheel covers and P205/70R15 black sidewall tires (4). (Available on SE and LE FWD models only.)

### Power Convenience Package

Includes power door locks and power windows (front doors only). (Available on all Caravan SE models.)

### Luxury Value Discount Package

Includes Popular Value Package (std on LE), Storage Convenience Package (std on LE), Chrysler Infinity I Sound System, rear liftgate window electric defroster (std on LE), heated dual power remote outside mirrors (std on LE), power driver seat (LE only), power windows (front doors only) and power vent windows (std on LE). (Available on SE and LE models.)

### Heavy-Duty Trailer Towing Preparation Package

Includes 120-amp alternator, 685-amp battery, heavy-duty brakes, heavy-duty radiator, heavy-duty suspension, heavy-duty transaxle oil cooler, heavy-duty variable-load turn flasher, P205/70R15 radial black sidewall tires with conventional spare (compact spare on AWD models), special trailer tow wiring harness, 15-inch steel wheels with sport wheel covers. (Set of 4)

## SPECIFICATIONS

### Engines<sup>4</sup>

2.5-liter (153 CID) SOHC four-cylinder; electronic fuel injection; 8.9:1 compression ratio; 3.44" x 4.09" bore & stroke; 100 horsepower @ 4,800 RPM; 135 lb-ft torque @ 2,800 RPM

3.0-liter (181.4 CID) OHC six-cylinder (V6); multipoint electronic fuel injection; 8.9:1 compression ratio; 3.59" x 2.99" bore & stroke; 142 horsepower @ 5,000 RPM; 173 lb-ft torque @ 2,400 RPM; built by Mitsubishi Motors Corporation

3.3-liter (201.5 CID) OHV six-cylinder (V6); multipoint fuel injection; 8.9:1 compression ratio; 3.66" x 3.19" bore & stroke; 150 horsepower @ 4,800 RPM; 185 lb-ft torque @ 3,600 RPM

<sup>4</sup> NAE controls and testing required at extra cost on all vehicles registered in California; not available otherwise.

## Suspension

Front: Antitopping strut and coil spring; Rear: shock absorber and leaf spring. Rear sway bar added in Sport Handling Package.

## Capacities

### Passenger capacity

Base/other models ..... 5/7

### Cargo compartment volume

Standard wheelbase

Five-/seven-passenger seating ..... 53.9/13.3 cu ft  
Rear seats removed ..... 115.9 cu ft

Grand Caravan

Seven-passenger seating ..... 25.6 cu ft  
Rear seats removed ..... 139.4 cu ft

**Fuel Tank Capacity** (front-wheel drive/AWD) 20/18 gallons

## EXTERIOR/INTERIOR COLOR AVAILABILITY

Caravan ES			
Caravan LE, Grand Caravan LE with Woodgrain			
Caravan SE & LE, Grand Caravan SE & LE			
Caravan			
Monotones			
Exterior	Interior		
Black Cherry	Bordeaux	•	•
Pearl Coat	Champagne	•	•
Claret Red			
Pearl Coat <sup>E</sup>	Bordeaux	•	•
Light Champagne			
Metallic Clear Coat <sup>F</sup>	Champagne	•	•
Twilight Blue	Twilight Blue	•	•
Pearl Coat <sup>E</sup>	Medium Quartz	•	•
Diamond Blue	Twilight Blue	•	•
Metallic Clear Coat	Medium Quartz	•	•
Black Clear Coat	Bordeaux	•	•
	Champagne	•	•
	Medium Quartz	•	•
Dark Quartz			
Metallic Clear Coat	Medium Quartz	•	•
Platinum Silver	Bordeaux	•	•
Metallic Clear Coat <sup>F</sup>	Medium Quartz	•	•
Bright White	Bordeaux	•	•
Clear Coat	Twilight Blue	•	•
	Champagne	•	•
	Medium Quartz	•	•
Safari Brown			
Clear Coat	Champagne	•	•

E—Extra-cost paint

### Two-Tones

(Available on all SE models, standard on all LE models)

Exterior	Interior
Claret Red Pearl Coat/ Dark Quartz Gray Metallic Clear Coat	Bordeaux
Light Champagne Metallic Clear Coat/Safari Brown Clear Coat	Champagne
Black Clear Coat/ Dark Quartz Gray Metallic Clear Coat	Bordeaux Champagne Medium Quartz
Platinum Silver Metallic Clear Coat/ Dark Quartz Gray Metallic Clear Coat	Bordeaux Medium Quartz
Bright White Clear Coat/ Dark Quartz Gray Metallic Clear Coat	Bordeaux Twilight Blue Champagne Medium Quartz

All Grand Caravan Models						
Caravan LE AWD						
Caravan LE						
Caravan SE AWD						
Caravan SE						
Caravan Base						
Power Train Chart						
2.5-liter with 3-speed	S	S	NA	S	NA	NA
3.0-liter with 3-speed	O	O	NA	NA	NA	NA
3.0-liter with 4-speed	NA	O	NA	O	NA	NA
3.3-liter with 4-speed	NA	O	S	O	S	S

S—Standard O—Optional NA—Not available



**ADVANTAGE:  
DODGE**