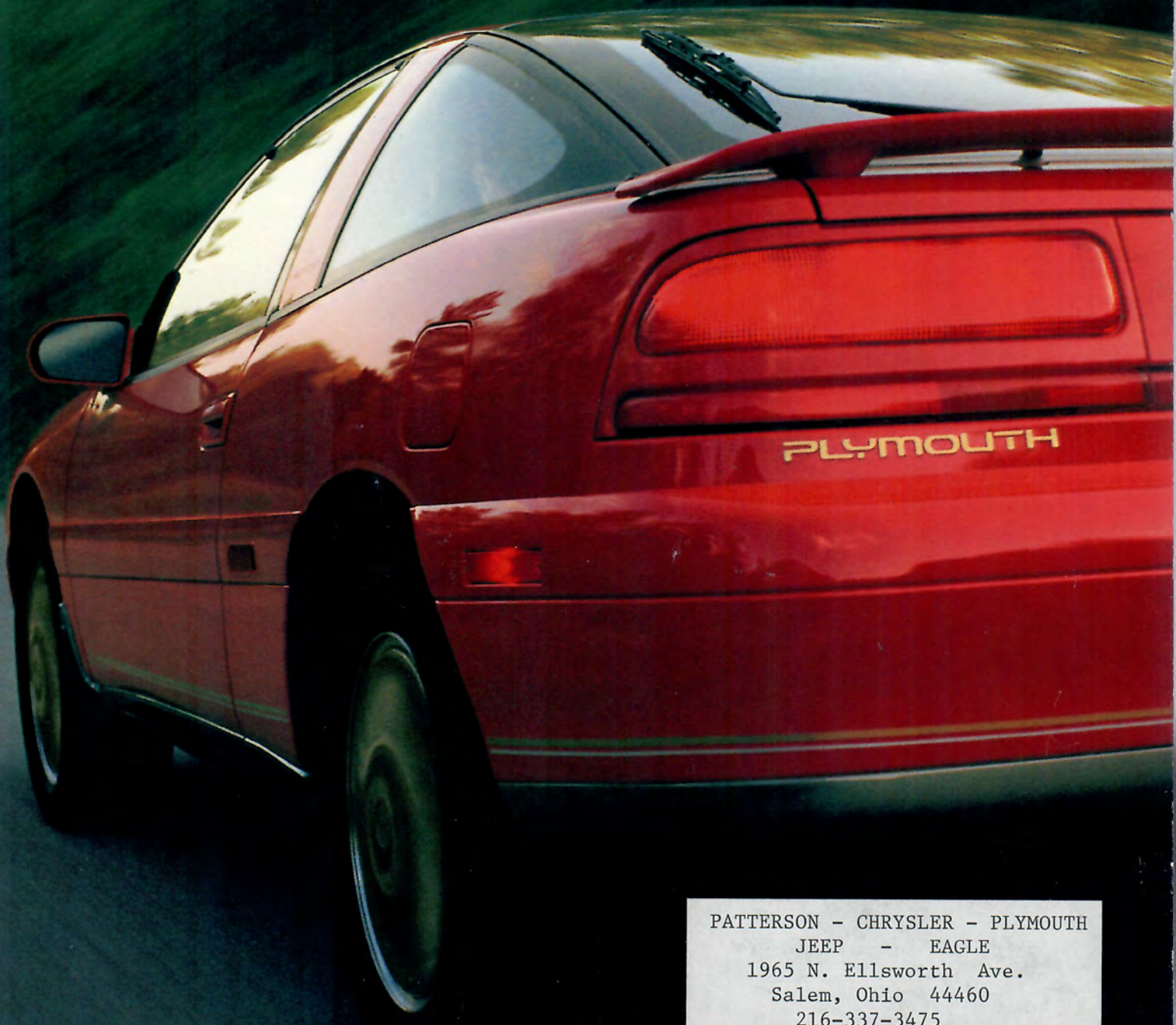


1 9 9 3

PLYMOUTH

LASER



PATTERSON - CHRYSLER - PLYMOUTH
JEEP - EAGLE
1965 N. Ellsworth Ave.
Salem, Ohio 44460
216-337-3475

PERFORMANCE
ENGINEERING
THAT
DELIVERS
EXCITEMENT



Laser RS Turbo AWD with available Gold Decor Package

Some of the equipment shown or described throughout this catalog is available at extra cost.

About this catalog. Since the time of printing, some of the information you'll find in this catalog may have been updated. Ask your dealer for details.

THE PLYMOUTH ADVANTAGE

A technical description of the 1993 Plymouth Laser reads like a driving enthusiast's wish list. It begins with performance engineering in the available 2.0-liter DOHC 16-valve intercooled turbocharged MPI engine. But it doesn't



Laser RS Turbo AWD



Laser RS



Laser

stop there. A performance-tuned suspension system tackles turns with precise and accurate control. And the RS Turbo All-Wheel-Drive model with double wishbone

independent rear suspension improves traction and handling even more. Bring Laser to a stop, with the full confidence of standard power-assisted four-wheel disc brakes. On wet or slippery surfaces, optional computer-

controlled four-wheel antilock disc brakes improve stability and help prevent wheel lockup. And take a long look at Laser. Outside and in. The styling is sleek and aerodynamic.

The wraparound cockpit is designed for maximum driving efficiency and convenience. Whether it's the RS Turbo AWD, RS

Turbo, RS or base model, Laser is one of the most affordable and technologically advanced sport coupes to ever challenge the open road.

Advantage: Laser.

SAFETY FEATURES

Plymouth Laser's safety engineering provides added security for driver and passengers.

■ **Four-Wheel Antilock Disc Brakes** option improves steering control and vehicle stability during hard braking.

■ **Security Alarm System** provides protection and peace of mind. (Dealer-installed option. See page 12.)

■ **Energy-Absorbing Front and Rear Bumpers**, standard, exceed the protection required by federal law.

■ **Front Motorized Passive Restraint System** with manual active lap belts, standard, holds occupants comfortably for increased safety.

■ **All-Wheel Drive**, on Laser RS Turbo AWD model, improves traction and stability.

■ **Portable Handheld Cellular Telephone** (Dealer-supplied option. See page 19 for additional information.)

DESIGNED FOR FUN



Laser RS Turbo AWD with available Gold Decor Package



Laser RS Turbo, winner of *Car & Driver's* "10 Best" award four years in a row. (Jan. 1989–1992 issues. AWD model—1992.)



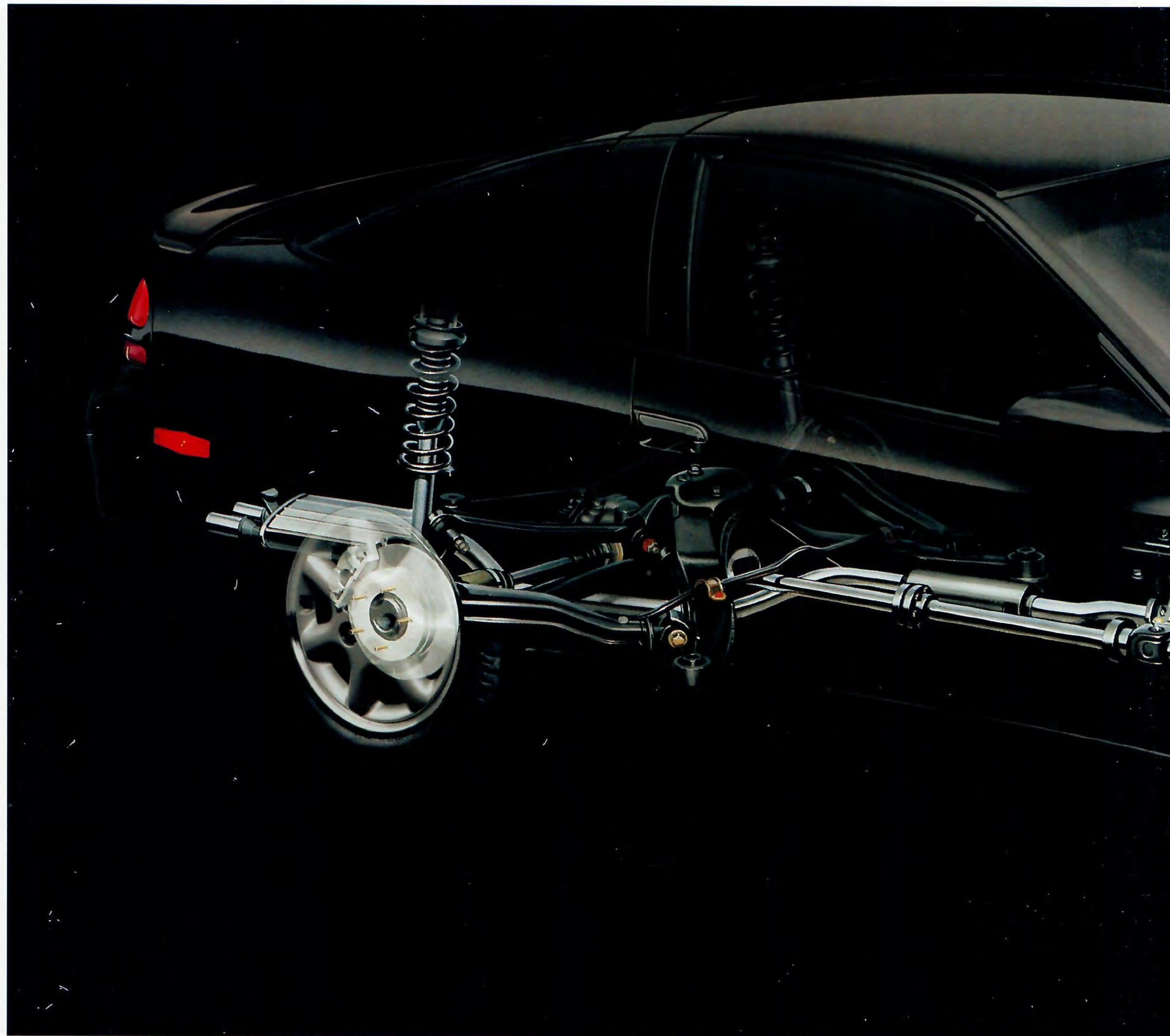
A new, sharp-looking Gold Decor Package includes gold wheels, bodyside stripes and badging. (Not available on base Laser.) Also new for 1993 is the availability of a four-speed electronically controlled automatic transaxle on AWD model.



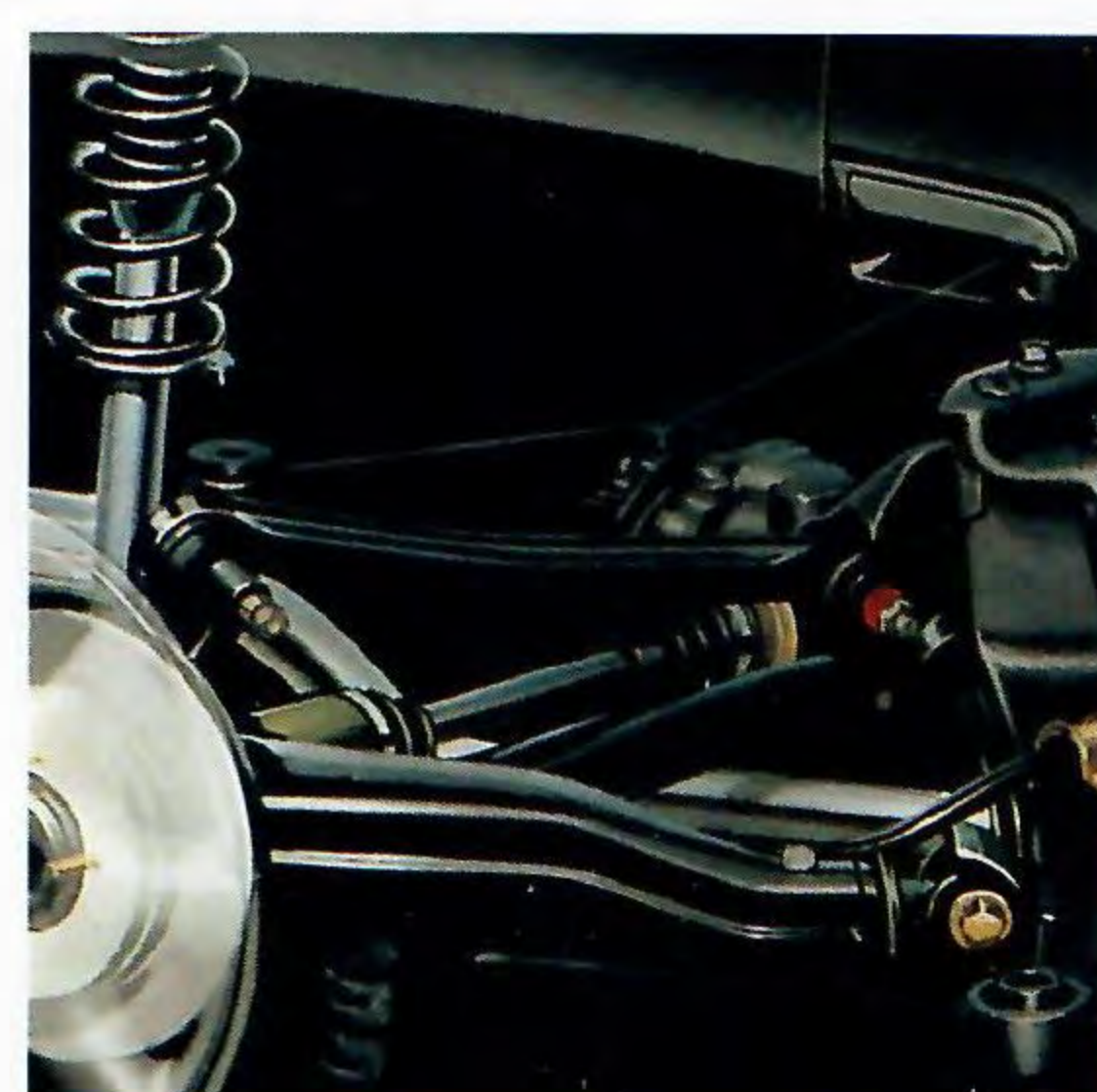
Available flip-up/removable sunroof includes air deflector, sunshade and vinyl protective storage bag with cargo compartment tie-down straps.



Optional liftgate wiper/washer on Laser RS models keeps rear window clear for improved visibility.



Four-wheel antilock disc brakes help prevent wheel lockup. (Available on Laser RS, RS Turbo, and RS Turbo AWD.)

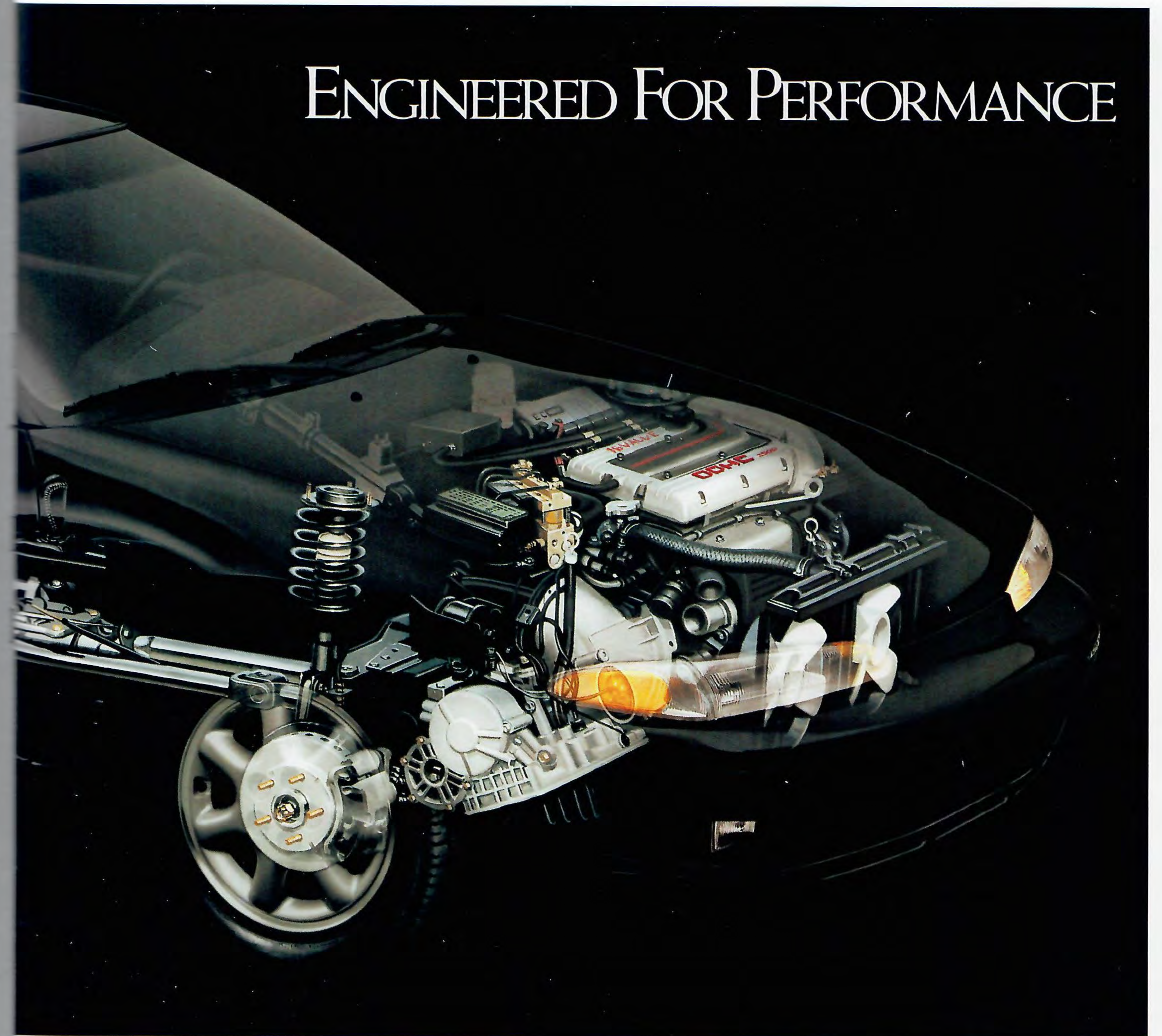


Laser RS Turbo AWD model includes a double wishbone independent rear suspension design for superior stability and handling.

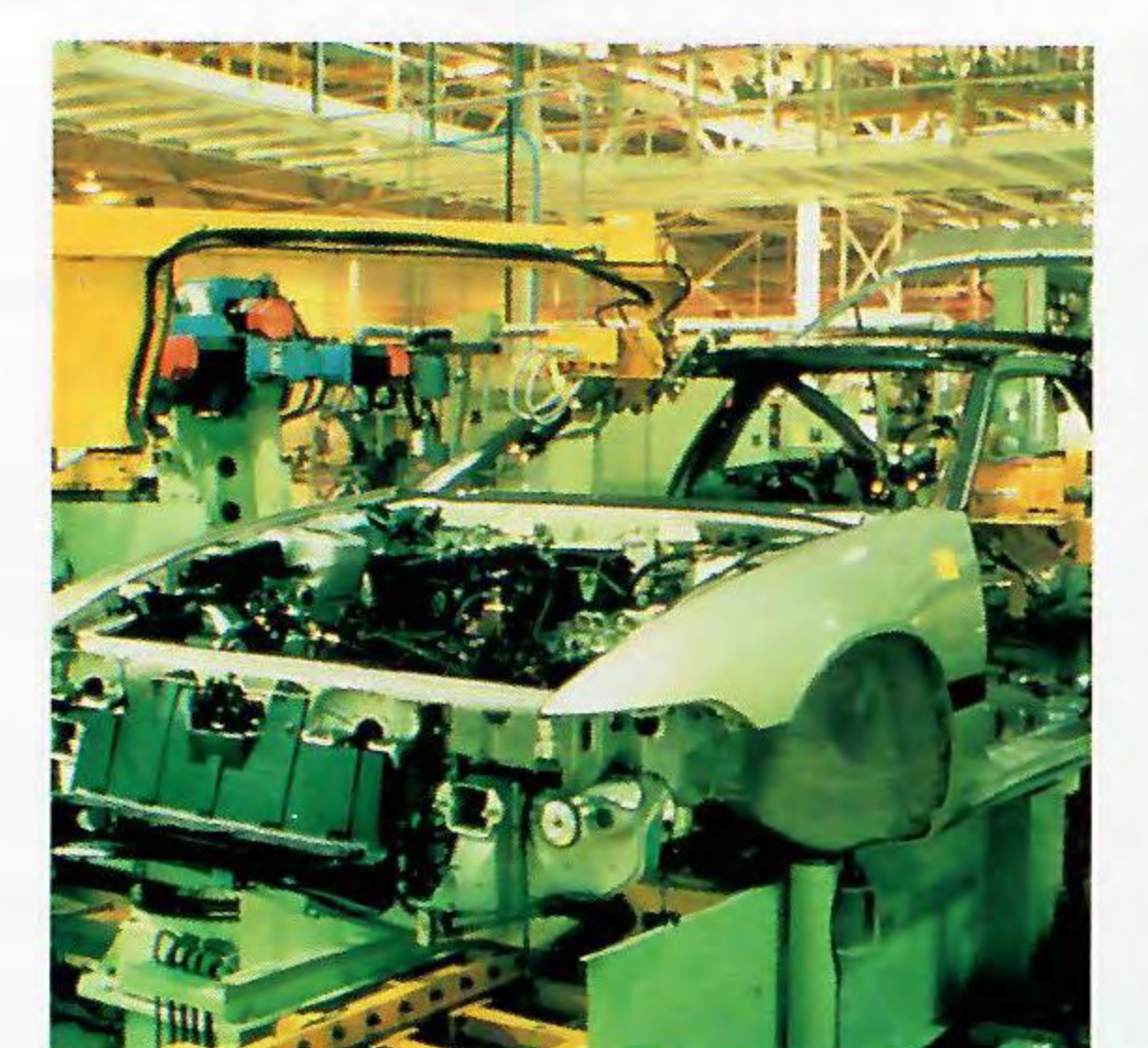


Four valves per cylinder offer high output and smooth performance on Laser RS, RS Turbo, and RS Turbo AWD.

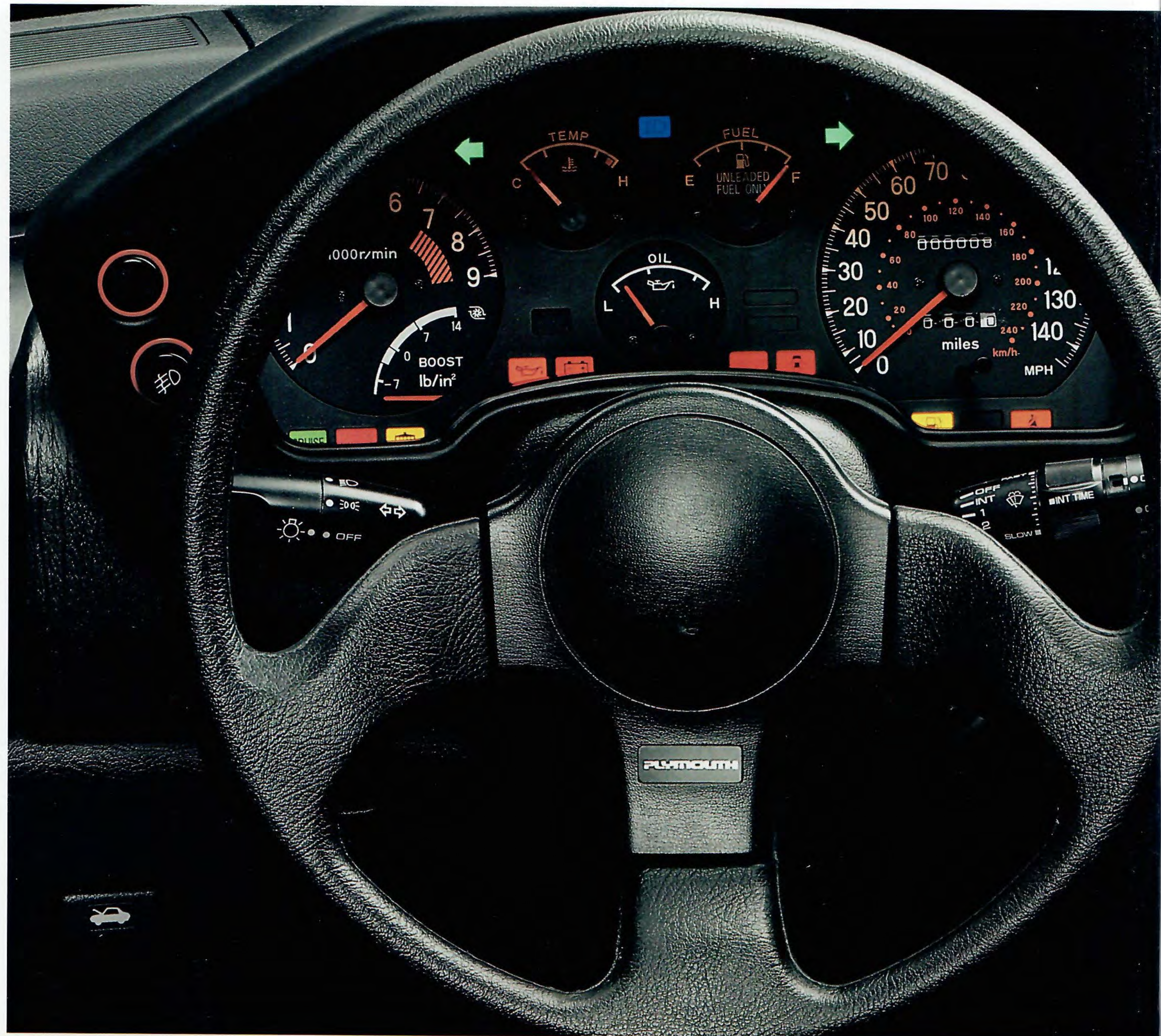
ENGINEERED FOR PERFORMANCE



Base Laser's sleek and aerodynamic shape has earned an impressive drag coefficient of 0.33. A rear spoiler with integral center high-mounted stoplight is standard on Laser RS, RS Turbo, and RS Turbo AWD models, available on base Laser.



Laser's advanced manufacturing process utilizes over 470 robots for consistent high quality.



TAKE COMMAND



Premium AM stereo*/FM stereo radio/cassette player with seven-band graphic equalizer. (See page 17 for package availability.)

*Some AM stereo broadcasting may not be compatible with this radio.



Front motorized passive restraints with manual active lap belts and rear lap/shoulder belts safely hold occupants.

The driver's perspective behind the wheel was the operative force in the design of Laser RS Turbo's cockpit interior. All instrumentation is within a clean line of sight. All controls are within convenient reach. The instrument pod is turned slightly toward the driver for

easier access to switches and knobs. Also featured are a leather-wrapped sport steering wheel, new ergonomic shifter knob for manual transaxles, and an available AM stereo*/FM stereo radio/ cassette player with compact disc player.



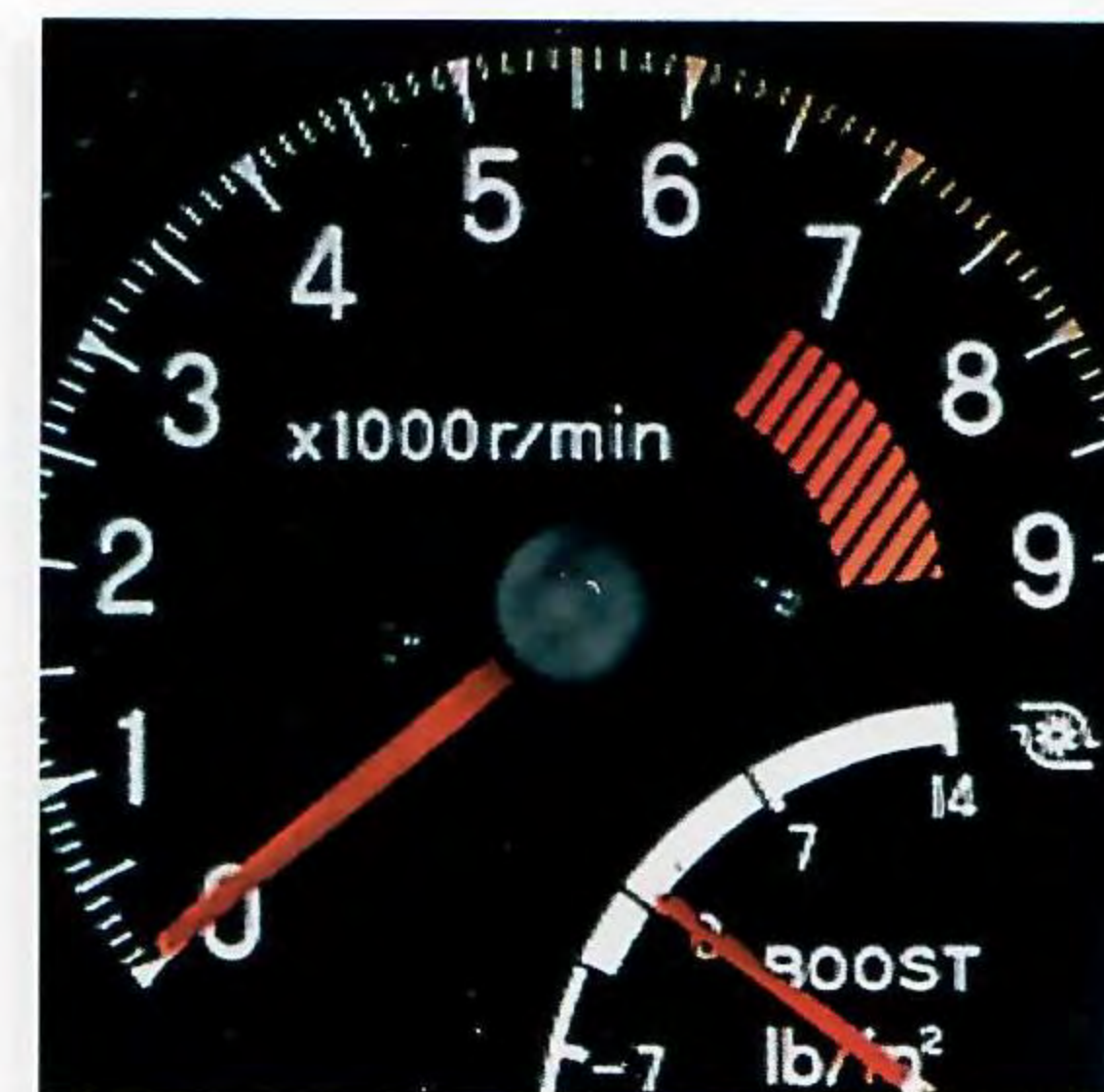
Available portable handheld cellular telephone. (See page 19)





Laser RS Turbo

ROUSING PERFORMANCE



Laser RS Turbo AWD model (not shown) attains 0-60 mph in just 6.4 seconds. (Independent USAC test, 1992.)



2.0-liter DOHC 16-valve intercooled turbocharged MPI engine delivers 195 horsepower with five-speed manual transaxle.

Sophisticated performance technology, once reserved for the finest racing machines, is incorporated in Laser RS Turbo. Dual overhead cams and four valves per cylinder deliver outstanding smoothness, efficiency and power. A turbocharger generates 11.1 psi maximum boost pressure

for superb acceleration and response. Performance-tuned front independent MacPherson-type struts coupled with trailing beam rear suspension allow quick maneuvers through turns with precise control. New for 1993 are standard front and rear gas-filled shocks for more refined handling.





Laser RS

SMOOTH MOVES



Split fold-down rear seats offer versatility and over 25 cubic feet of room when down. (Laser RS Turbo AWD, 22.4 cubic feet.)

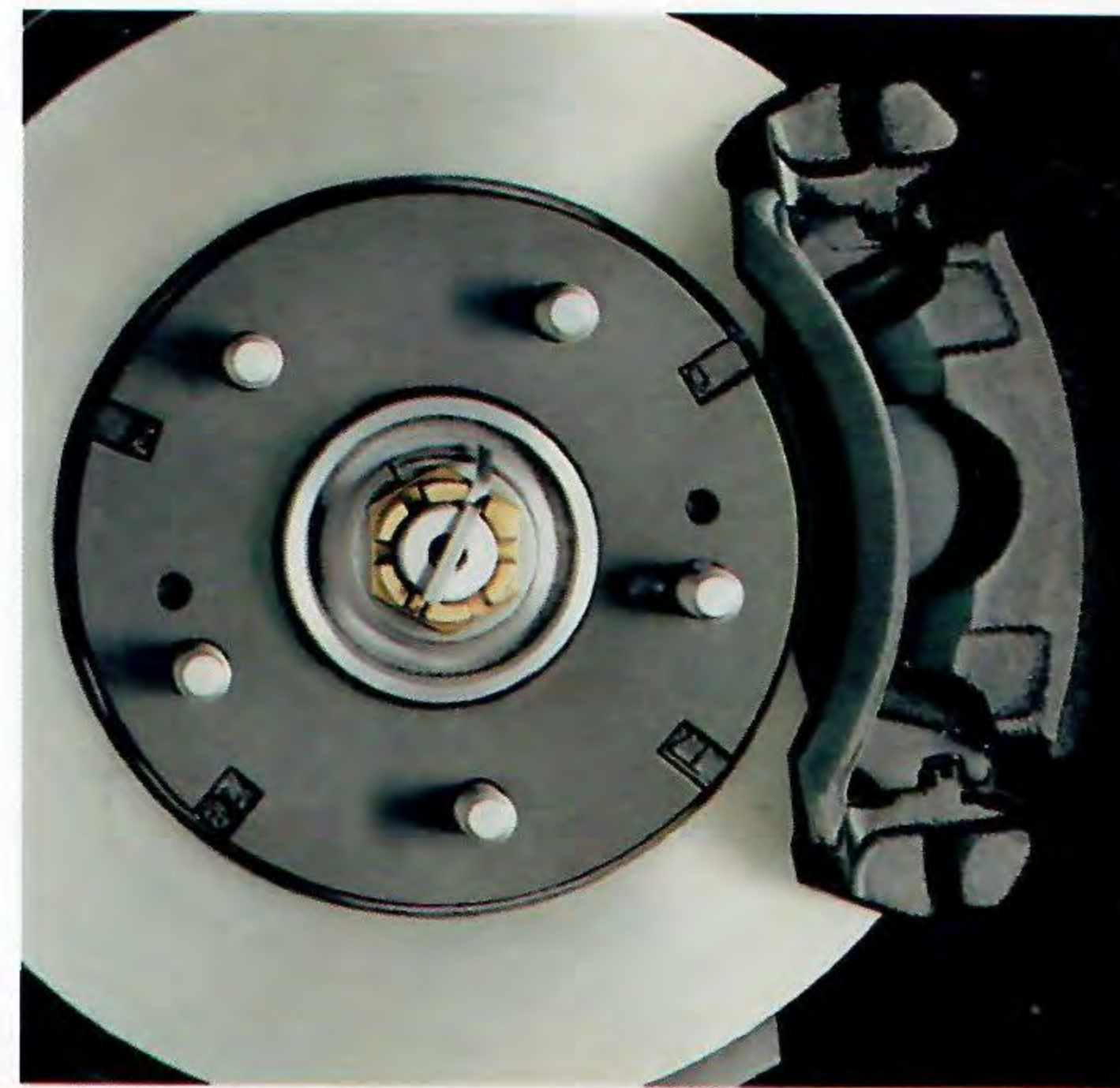


Dealer-installed optional Electronic Vehicle Security system (EVS II) provides a pocket-size remote door lock/unlock, panic button, and more.

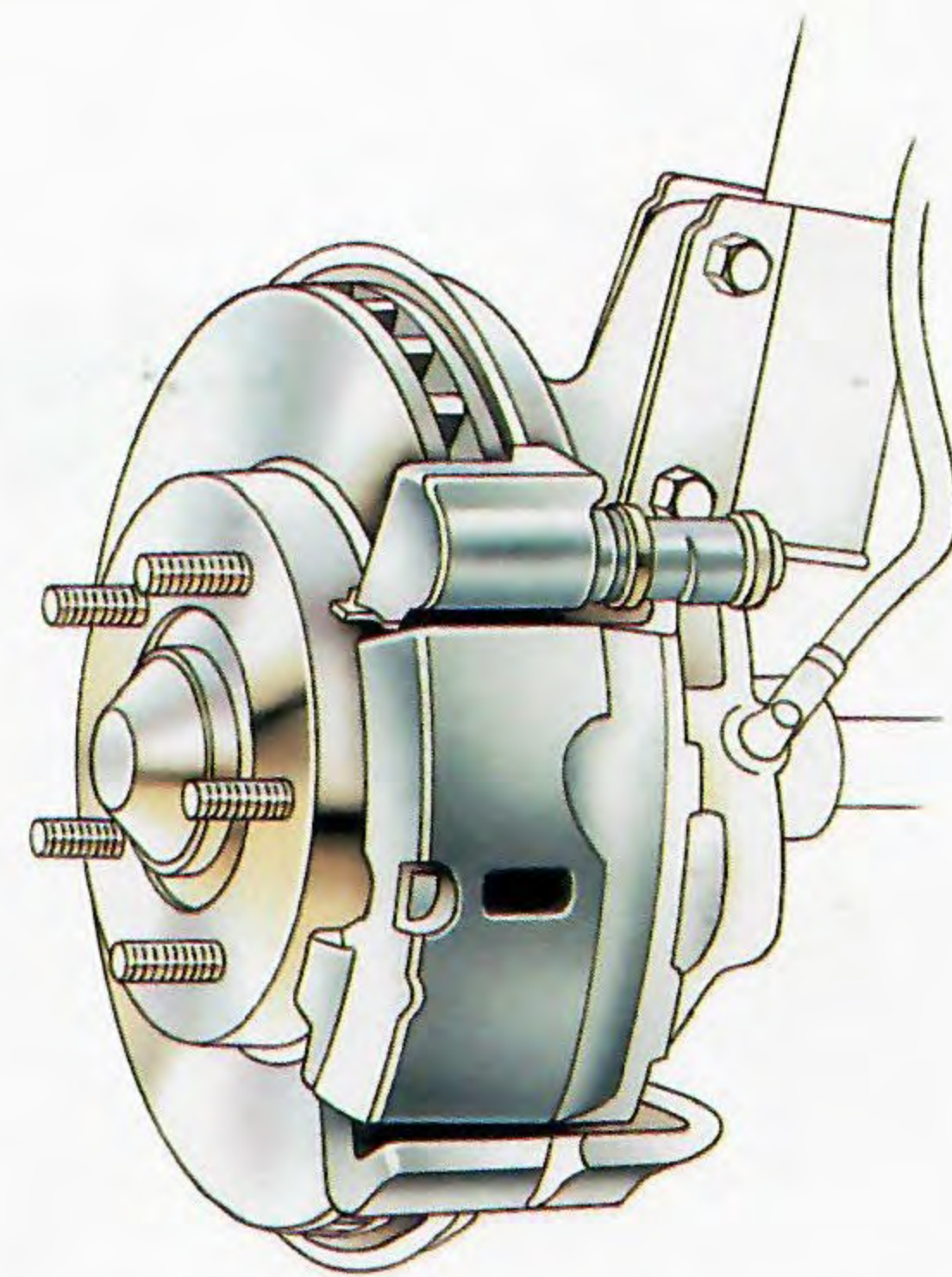
Driving enthusiasts know that there's more to a car than great looks and a sleek aeroshape. That's why Laser RS' standard equipment features an aggressive 2.0-liter DOHC 16-valve MPI engine, five-speed manual overdrive transaxle, power-assisted rack-and-pinion steering, performance

suspension with increased spring rates and shock damping, full center console, and much more. The base Laser (shown right) delivers smooth power and sure stopping with a responsive 1.8-liter SOHC MPI engine and power-assisted four-wheel disc brakes.

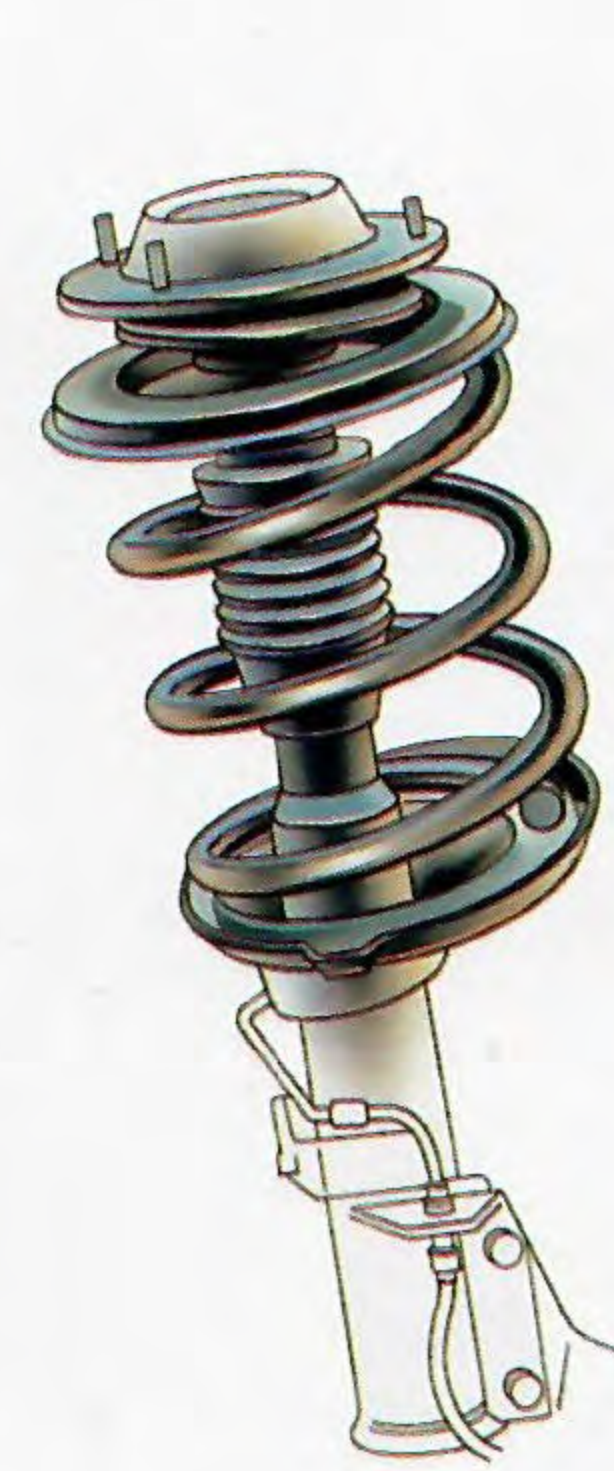




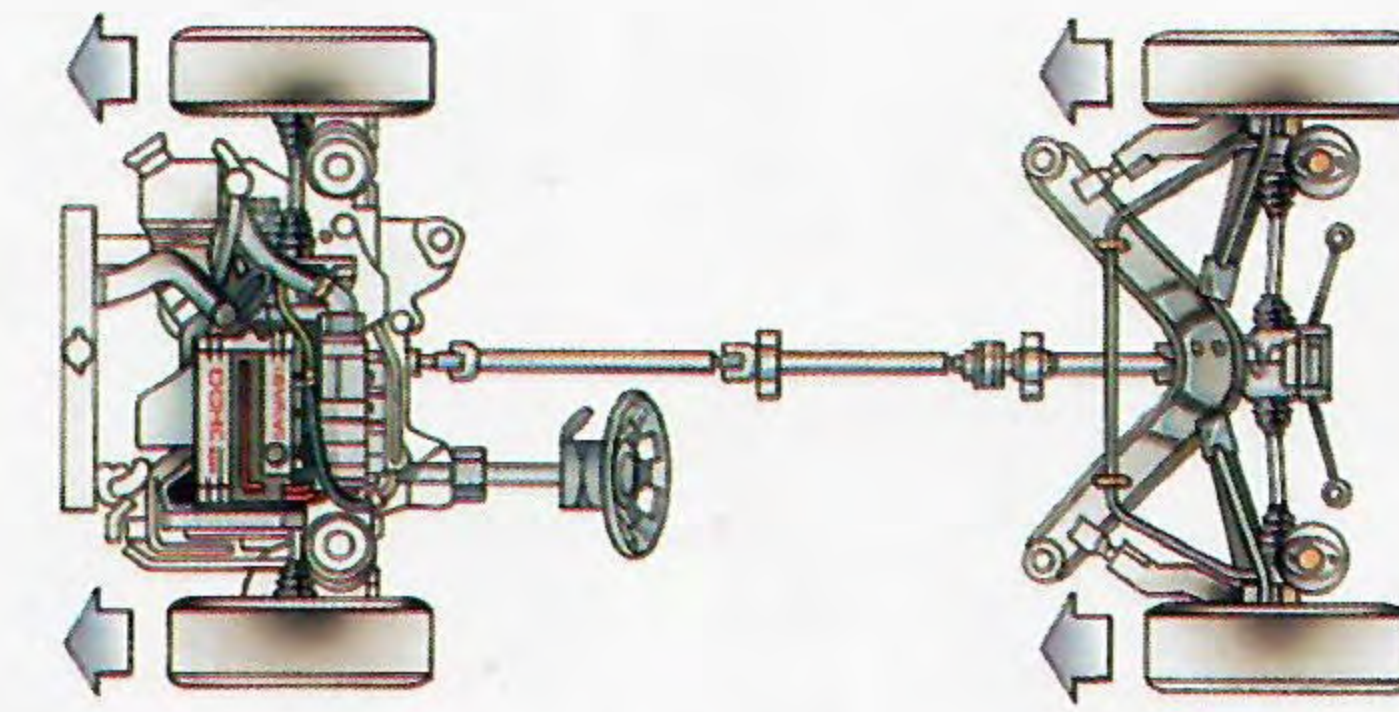
Four-wheel antilock disc brakes improve stability by electronically sensing wheel rotation and "pumping" the brake pressure to help prevent wheel lockup. (Available on Laser RS, RS Turbo, and RS Turbo AWD.)



Power-assisted four-wheel disc brakes allow confident control and firm stops. (Standard on all Laser models.) For improved braking performance, all front-wheel-drive turbo models have new enlarged front calipers and AWD model features new "dual pod" front calipers with enlarged front rotor diameters.



Performance-tuned suspension system features increased front spring rates and sway bar. Rear suspension utilizes shock damping. New for 1993 are gas-filled shocks for better handling. (Standard on Laser RS Turbo.)



Laser RS Turbo AWD has full-time All-Wheel Drive that evenly distributes engine torque to all four wheels. The independent "Enthusiast" suspension system features a rear independent double wishbone design with trailing arms. New for 1993, gas-filled shocks for improved handling.

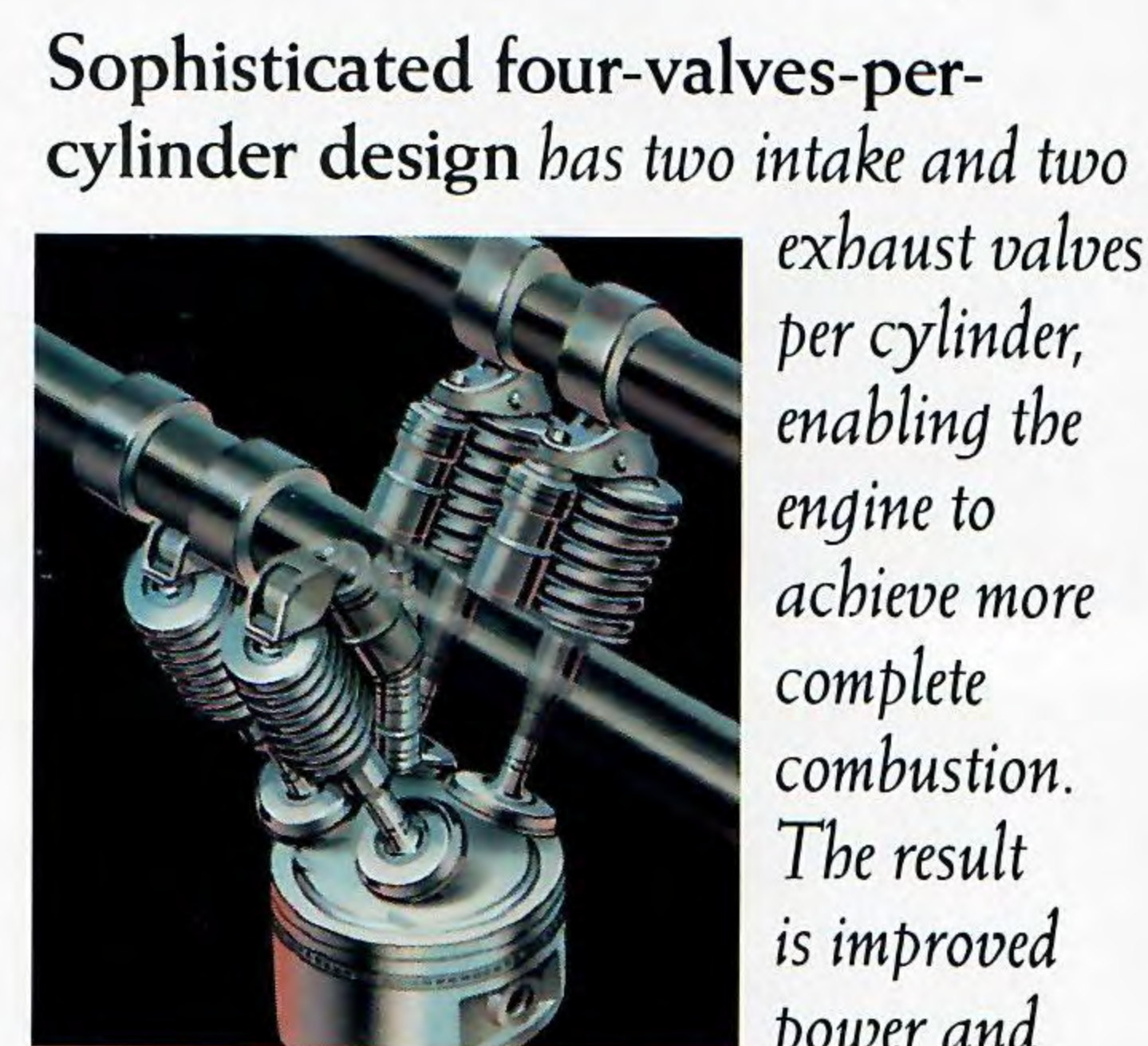


15.8:1-ratio power-assisted steering provides quick, responsive handling and a firm feel of road surfaces. (Optional on base Laser, standard on all other models.)

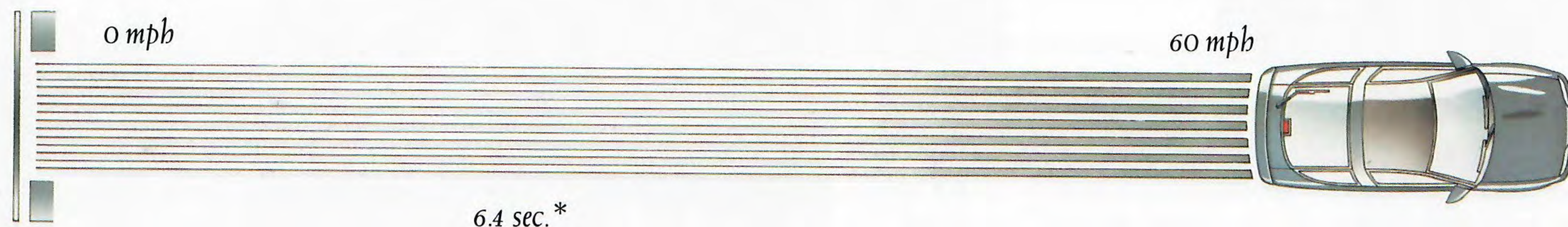


"High-performance" five-speed manual overdrive transaxle has improved gear ratios and a larger transfer case to better handle the power of Laser's turbo engine.

(Standard on Laser RS Turbo and RS Turbo AWD.) For comfortable shifting, a new ergonomic shifter knob is standard on all manual transaxles.

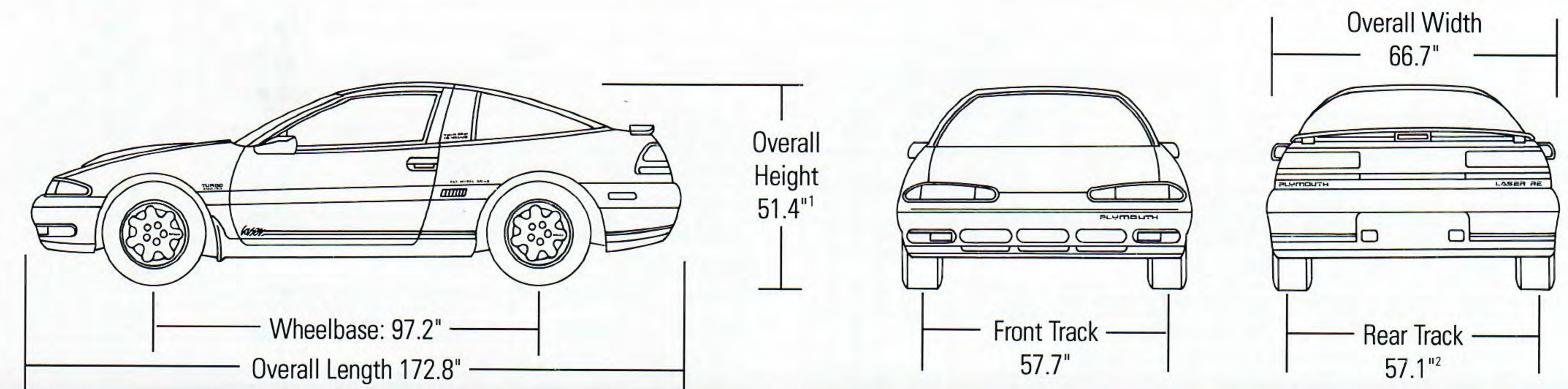


Sophisticated four-valves-per-cylinder design has two intake and two exhaust valves per cylinder, enabling the engine to achieve more complete combustion. The result is improved power and efficiency for smooth engine operation. (Standard on Laser RS, RS Turbo, and RS Turbo AWD.)



Laser RS Turbo AWD exhibits an excellent 0-60 time on the acceleration performance spectrum.

*Based on independent USAC test, 1992.



DIMENSIONS

EXTERIOR	
Overall Height (in.)	51.4 ¹
Overall Width (in.)	66.7
Overall Length (in.)	172.8
Wheelbase (in.)	97.2
Rear Track (in.)	57.1 ²
Front Track (in.)	57.7
INTERIOR	
Head Room — Front (in.)	37.9
— Rear (in.)	34.1
Leg Room — Front (in.)	43.9
— Rear (in.)	28.5
Shoulder Room — Front (in.)	53.9
— Rear (in.)	52.4
Hip Room — Front (in.)	55.1
— Rear (in.)	45.7

SPECIFICATIONS

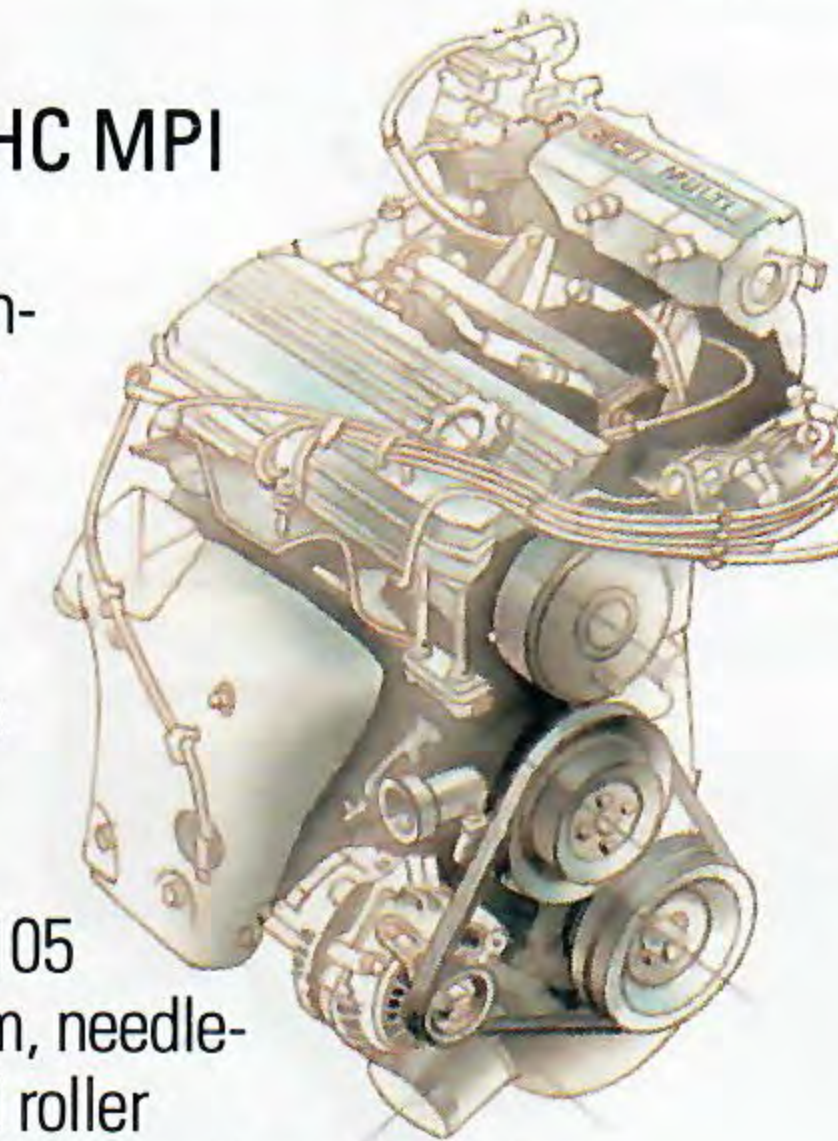
Turning Diameter (curb-to-curb)	
— Base Laser (ft) (manual steering)	34.1
— Laser RS, RS Turbo (ft) (power steering)	35.4
Curb Weight (lbs) (with standard transaxle)	
Laser	2,531
Laser RS	2,690
Laser RS Turbo	2,756
Laser RS Turbo AWD	3,073
Cargo Capacity (cu ft)	
— rear seat up	10.2 ³
— rear seat down	25.7 ⁴
Passenger Capacity	4
Fuel Capacity (gal)	15.8

¹ AWD model is 52.0
² AWD model is 57.3
³ AWD model is 6.9
⁴ AWD model is 22.4

POWER TRAINS

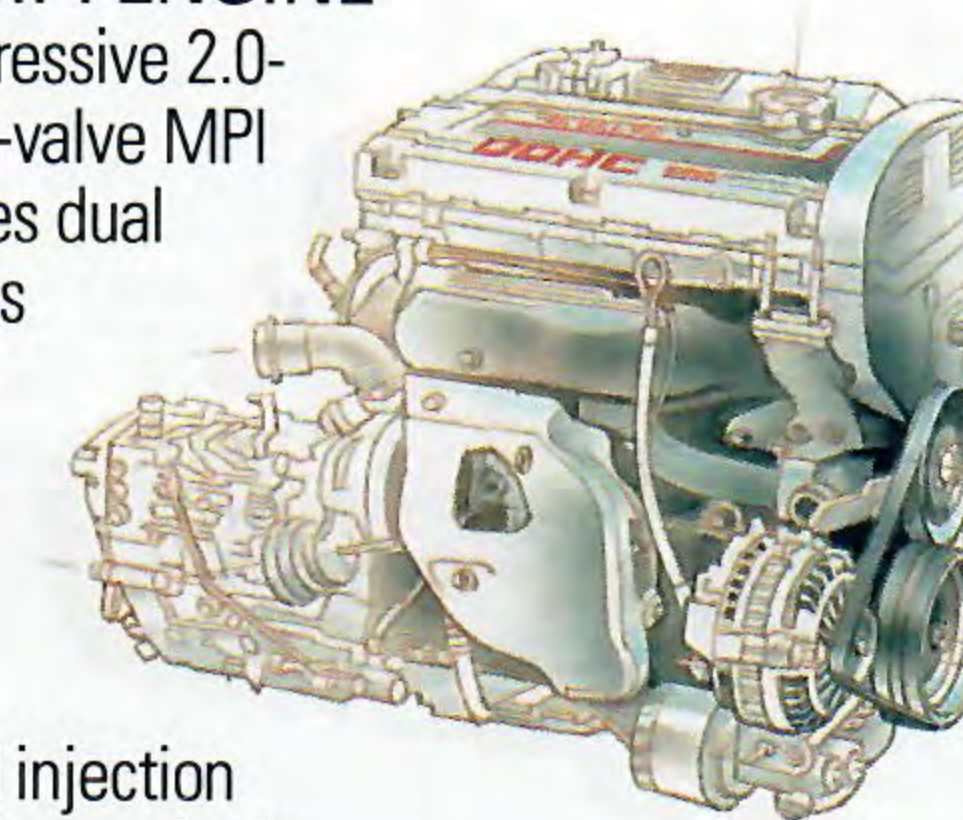
1.8-LITER SOHC MPI ENGINE*

Laser's 1.8-liter in-line four-cylinder engine features multipoint electronic fuel injection (MPI), a single overhead cam (SOHC), a torque rating of 105 lb-ft @ 3,500 rpm, needle-bearing-mounted roller rocker arms with automatic valve lash adjustment and vibration-dampening dual balance shafts.



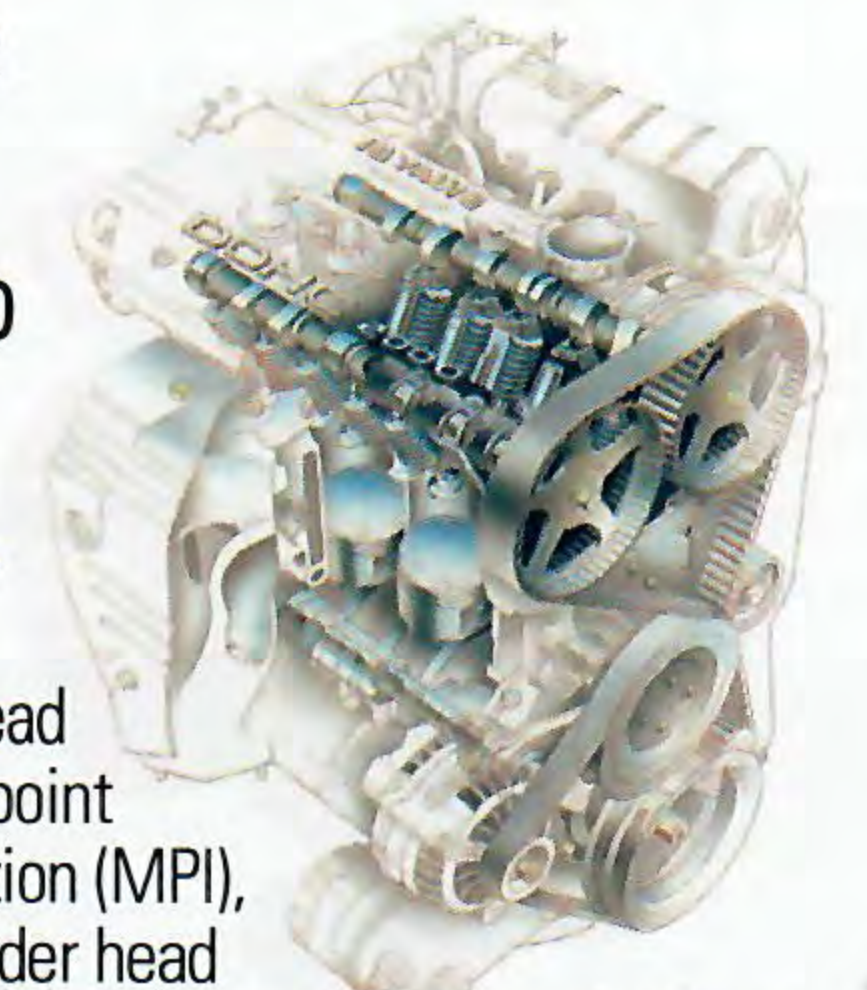
2.0-LITER DOHC 16-VALVE MPI ENGINE*

Laser RS' aggressive 2.0-liter DOHC 16-valve MPI engine includes dual overhead cams (DOHC), four-valves-per-cylinder head design, multipoint electronic fuel injection (MPI), dual balance shafts, and a significant torque rating of 125 lb-ft @ 5,000 rpm.



2.0-LITER DOHC 16-VALVE MPI INTERCOOLED TURBOCHARGED ENGINE*¹

Laser RS Turbo and RS Turbo AWD's 16-valve turbo engine features dual overhead cams (DOHC), multipoint electronic fuel injection (MPI), four-valves-per-cylinder head design, vibration-dampening dual balance shafts, a turbocharger that aids in generating high torque (203 lb-ft @ 3,000 rpm) and horsepower, and an intercooler to produce cool, dense intake air.



*All engines not recommended for trailer towing, and such use may damage engine and invalidate warranty. See your dealer for details. ¹Premium unleaded fuel recommended.

TYPE ¹	DISPLACEMENT	BORE & STROKE	COMPRESSION RATIO	HORSEPOWER/TORQUE SAE NET@RPM		TRANSAXLE AVAILABILITY
				HP @ RPM	LB-FT @ RPM	
4-cylinder SOHC MPI: standard Laser only	1.8-liter (107 CID)	3.17" x 3.39"	9.0:1	92 hp @ 5,000	105 lb-ft @ 3,500	5-speed close-ratio manual overdrive (3.9 OTGR): standard 4-speed electronically controlled automatic (3.6 OTGR): optional
4-cylinder DOHC 16-valve MPI: standard Laser RS only	2.0-liter (122 CID)	3.35" x 3.46"	9.0:1	135 hp @ 6,000	125 lb-ft @ 5,000	5-speed close-ratio manual overdrive (3.4 OTGR): standard 4-speed electronically controlled automatic (3.6 OTGR): optional
4-cylinder ² DOHC 16-valve MPI turbocharged with intercooler: standard Laser RS Turbo & Turbo AWD only	2.0-liter (122 CID)	3.35" x 3.46"	7.8:1 (11.1 psi max ³ boost pressure)	195 hp @ 6,000 (AWD) ⁴	203 lb-ft @ 3,000 ⁴	5-speed close-ratio manual overdrive (3.5 OTGR): standard 4-speed electronically controlled automatic (3.3 OTGR): optional on RS Turbo only

OTGR—Overall top gear ratio. ¹Emissions controls and testing required at extra cost on all vehicles registered in California. Not available otherwise. ²Premium unleaded fuel recommended. ³Boost pressure varies with engine loads and rpm. ⁴Four-speed automatic transaxle ratings: 180 hp @ 5,500; 195 lb-ft @ 3,000.

FUNCTIONAL

	LASER	LASER RS	LASER RS TURBO	LASER RS TURBO AWD
Alternator—Heavy-duty	NA	O	S	S
Antilock Brake System—Electronically controlled	NA	O	O	O
Battery—Maintenance-free, 12-volt, 430 cold cranking amps	S	S	S	S
Brake—Parking: hand-operated, center console	S	S	S	S
Brakes—Four-wheel disc, vented front/solid rear: power-assisted	S	S	S	S
Emissions Controls and Testing—Required at extra cost on all vehicles registered in California (not available otherwise)	O	O	O	O
Engine—1.8-liter MPI, five-speed manual	S	NA	NA	NA
Engine—2.0-liter, 16-valve DOHC MPI, five-speed manual	NA	S	NA	NA
Engine—2.0-liter, 16-valve DOHC turbocharged and intercooled MPI, five-speed manual	NA	NA	S	S
Exhaust System—Performance-tuned with dual bright tips	NA	S	S	S
Exhaust System—Stainless steel	S	S	S	S
Front-Wheel Drive	S	S	S	NA
Fuel Tank—15.8-gallon with tethered gas cap	S	S	S	S
Jack—Scissors-type	S	S	S	S
Starter—Standard	S	NA	NA	NA
Starter—Heavy-duty	NA	S	S	S
Steering—Rack-and-pinion (23.8:1): manual	S	NA	NA	NA
Steering—Rack-and-pinion (15.8:1): power-assisted	P	S	S	S
Suspension—Front: MacPherson-type struts with coil springs and stabilizer bar				
—Sport	S	NA	NA	NA
—Performance	NA	S	S	S
—Enthusiast (upgraded springs, struts and stabilizer bar)	NA	NA	NA	NA
Suspension—Rear: Rigid axle with trailing arms, coil springs	S	S	S	NA
—Double wishbone independent with upgraded springs and stabilizer bar	NA	NA	NA	S
Tire—Spare: compact, limited service	S	S	S	S
Tires—P185/70R14 black sidewall, all-season (set of four)	S	NA	NA	NA
Tires—P205/55R16 black sidewall all-weather performance-handling (set of four)	NA	S	NA	NA
Tires—P205/55R16 black sidewall all-weather performance-handling speed-rated (set of four)	NA	NA	S	S
Transaxle—Five-speed manual with clutch interlock	S	S	S	S
Transaxle—Four-speed automatic with economy/power mode switch and shift lock	P	P	P	P

EXTERIOR

Bumpers—Impact-resistant	S	S	S	S
Corrosion Protection—Extensive use of galvanized steel and lower body antichip coating	S	S	S	S
Fascias—Front and rear: body color	S	S	NA	NA
Fascias—Two-tone appearance	NA	NA	S	S
Fog Lamps	NA	P	P	P
Glass—Tinted, all windows with windshield sunshade band	S	S	S	S
Headlights—Halogen: aerotype with headlight/parklight "ON" reminder chime	S	S	S	S
Hood—Power dome	S	S	S	S
Mirrors—Dual manual remote control: black	S	NA	NA	NA
Mirrors—Dual power remote control: body color	NA	S	S	S
Molding—Bodyside: 360° protective	S	S	S	S
Roof—Body color	S	NA	NA	NA
Roof—Black with body color targa band	NA	S	S	S
Sill Applique—Gray metallic	NA	P	S	S
Spoiler—With integral center stoplight	P	S	S	S
Sunroof—Removable, flip-up: includes air deflector, sunshade, cargo compartment tie-down straps, and vinyl storage bag	O	O	O	O
Wheel Covers—Deluxe 14-inch (set of four)	P	NA	NA	NA
Wheel Covers—Turbine 16-inch (set of four)	NA	S	S	NA
Wheels—NEW 7-spoke 16-inch alloy (set of four)	NA	O	O	S
Wheels—Styled-steel 14-inch (set of four)	S	NA	NA	NA

INTERIOR

Air Conditioning ¹ —Manual with two-position compressor operation	P	P	P	P
Carpeting—Passenger and cargo area	S	S	S	S
Clock—Digital (integral with radio)	S	S	S	S

S = Standard. O = Optional. Some items may also be available in Customer-PreferredSM Packages. See Customer-PreferredSM Packages and "Available Options" for availability.
 P = Package only. See Customer-PreferredSM Packages for availability. NA = Not available.
¹There are special engine cooling requirements for field-installed air conditioning. Failure to follow these requirements may invalidate warranty. See your dealer for details.
²Panasonic is the warrantor and services this product. Restrictions apply. Ask your dealer for details and a copy of the limited warranty.
³Some AM stereo broadcasting may not be compatible with this radio.

INTERIOR (cont.)

	LASER	LASER RS	LASER RS TURBO	LASER RS TURBO AWD
Cellular Phone ² —Portable; dealer-supplied	O	O	O	O
Coat Hooks—Dual, rear seat	S	S	S	S
Compact Disc Player System—Includes AM stereo ³ /FM stereo cassette and premium audio system	NA	O	O	O
Console—Full center with storage bin and coin holder	S	NA	NA	NA
Console—Full center with armrest cover and storage bin	NA	S	S	S
Cup Holders—Located on console	P	P	P	P
Defroster—Rear window: electric (required on all passenger vehicles registered in New York state)	O	S	S	S
Demisters—Side window	S	S	S	S
Door Trim—Deluxe, soft-feel	NA	S	S	S
Floor Mats—Front	P	P	P	P
Fuel Door Release—Cable-operated remote control	S	S	S	S
Glove Box—Locking	S	S	S	S
Heater and Defroster—With dual mode bi-level ventilation	S	S	S	S
Hood Release—Cable-operated remote control	S	S	S	S
Horn—Single-note	S	NA	NA	NA
Horn—Dual-note	NA	S	S	S
Instrument Cluster—Analog speedometer; electromechanical: tachometer, odometer, trip odometer; gauges for engine coolant temperature, engine oil pressure, fuel level, and turbo boost gauge (if equipped); warning lights, and symbols for speed control "on," overdrive "off" (auto, transaxle only), door/liftgate ajar, turn signal indicator arrows, high beams "on," brake system failure, parking brake on, ABS warning (if equipped), check engine, low coolant level, electrical system, low fuel level, and seat belt reminder	S	S	S	S
Liftgate Release—Cable-operated remote control	S	S	S	S
Lighter—Console-mounted for power accessories	S	S	S	S
Lights—Cargo area; cigar lighter, glove box, ignition, illumination delay interior, overhead console	S	S	S	S
Map Pocket—Driver's door (when power windows and locks are ordered)	NA	P	P	P
Mirror—Rearview: day/night	S	S	S	S
Multifunction Control Lever—Left: includes controls for turn signals with lane change feature, headlight dimmer, day/night flash/pass feature	S	S	S	S
Multifunction Control Lever—Right: includes controls for wiper/washer and speed control (if so equipped)	S	S	S	S
Power Windows/Locks—Also includes map pocket	NA	P	P	P
Radio—AM/FM stereo: electronically tuned; four-speaker sound; integral digital clock	S	NA	NA	NA
Radio—AM/FM stereo: electronically tuned; cassette tape player; six speakers; integral digital clock	O	S	S	S
Radio—Compact disc player, premium AM stereo ³ /FM stereo: electronically tuned; cassette tape player; eight speakers in six locations; integral digital clock	NA	O	O	O
Radio—Premium AM stereo ³ /FM stereo: electronically tuned; seven-band graphic equalizer, cassette tape player with logic-controlled transport; eight speakers in six locations; integral digital clock	NA	P	P	P
Restraint System—Front motorized passive shoulder belts with active lap belts; rear three-point active shoulder and lap belts	S	S	S	S
Seats—Front, high-back reclining bucket: cloth; rear, split-folding: cloth and vinyl trim	S	NA	NA	NA
Seats—Front, high-back reclining bucket with driver-side adjustable lumbar support: cloth; rear, split-folding: cloth	NA	S	S	S
Shift Lever—Leather-wrapped	NA	NA	S	S
Speed Control	P	P	P	P
Steering Column—Tilt	S	S	S	S
Steering Wheel—Three-spoke, soft-feel	S	S	NA	NA
Steering Wheel—Three-spoke, leather-wrapped	NA	NA	S	S
Sun Visor—Dual vanity mirrors with covers	S	S	S	S
Tape Stripe—Bodyside	P	S	S	S
Tonneau Cover	P	S	S	S
Windshield Wipers—Deluxe: with variable intermittent wipe	S	S	S	S
Wiper/Washer—Liftgate	NA	P	P	P

ENGINES	TRANSAXLES	LASER				LASER RS			RS TURBO		RS T/C AWD	
1.8L MPI	5-Speed Manual	A	B	C	D							
1.8L MPI	4-Speed Automatic		B	C	D							
2.0L MPI	5-Speed Manual					F	G	H				
2.0L MPI	4-Speed Automatic					F	G	H				
2.0L Turbo	5-Speed Manual								G	H	M	
2.0L Turbo	4-Speed Automatic								H		Q	

All the above letter designations represent package group codes.

PACKAGE CONTENTS

	LASER	LASER RS	LASER RS TURBO	LASER RS TURBO AWD
Air Conditioning ¹			•	•
Console Cup Holder		•	•	•
Defroster ² —Rear window		•	•	•
Fog Lamps				• ⁵
Mats—Floor		•	•	•
Power Steering		•	•	•
Power Windows/Locks ³				•
Radio—AM/FM cassette with six speakers		•	•	•
Radio—AM/FM cassette with equalizer				•
Sill Molding—Two-tone				•
Speed Control				•
Spoiler		•	•	•
Tape Stripe		•	•	•
Tonneau Cover		•	•	•
Wheel Covers		•	•	•
Wiper/Washer—Liftgate				•

AVAILABLE OPTIONS

	LASER	LASER RS	LASER RS TURBO	LASER RS TURBO AWD
Antilock Brakes	—	—	—	—
California Emissions ⁴	O	O	O	O
Compact Disc Player	—	—	—	—
Decor Package: Gold wheels, stripe, badges	—	—	—	—
Defroster ² —Rear window	O	P	P	P
Radio—AM/FM cassette with six speakers	—	O	O	O
Sunroof	—	O	O	O
Wheels—Alloy	—	—	—	—
Wheel Covers—14" Deluxe	—	O	O	O

S = Standard. • = Included in package. O = Optional. Available only when corresponding Customer-PreferredSM Package is ordered. P = Included in Customer-PreferredSM Package listed above.
¹There are special engine cooling requirements for field-installed air conditioning. Failure to follow these requirements may invalidate warranty. See your dealer for details.
²Required on all passenger vehicles registered in New York State.
³Includes driver-side map pocket.
⁴Required on all vehicles registered in California. Not available otherwise.
⁵Fog lamps not available in Package 260.

WHEELS/COVERS/TIRES



New 16-inch alloy wheel*



Turbine 16-inch wheel cover*



Deluxe 14-inch wheel cover*



Styled-steel 14-inch wheel*

SIZE	TYPE (SET OF FOUR)	AVAILABILITY
P185/70R14	Steel-belted radial all-season tread, black sidewall	Standard Laser
P205/55R16	Steel-belted radial all-weather performance handling, black sidewall	Standard Laser RS
P205/55R16	Steel-belted radial all-weather performance handling, speed-rated black sidewall	Standard Laser RS Turbo and RS Turbo AWD
T125/70D15	Compact spare (one)	Standard all FWD without ABS
T125/80D16	Compact spare (one)	Standard all FWD with ABS
T125/90D16	Compact spare (one)	Standard Laser RS Turbo AWD

*See Standard and Optional Equipment Chart (page 16) for specific model availability.

SAFETY FEATURES

- Antitheft trunk lock and door lock inner guards
- Backup lights
- Brake fluid pressure loss warning light (also serves as indicator when parking brake is applied)
- Double ball-joint rearview mirror mount
- Dual braking system with separate brake fluid reservoirs in the master cylinder
- Dual outside rearview mirrors
- Electric windshield washers
- Energy-absorbing front and rear bumpers
- Energy-absorbing front seatbacks
- Energy-absorbing instrument panel and sun visors
- Energy-absorbing steering column
- Fade-resistant four-wheel disc brakes
- "Flash-to-Pass" optical horn
- Front seat head restraints
- Glare reduction measures for instrument panel, steering wheel, and windshield wipers
- Hazard warning flasher system
- Ignition and steering column lock
- Impact-actuated fuel supply shutdown relay
- Inside rearview mirror
- Interlocking door latches with driver manual override feature
- Key-left-in-ignition reminder
- Non-override passenger door lock
- Recessed inside door release handles
- Reinforced windshield header and roof
- Remote hatch release
- Resilient window crank knobs
- Safety-Rim wheels
- Seat belt reminder system
- Seatback latches on folding front seats
- Shatter-resistant glass
- Side door beams
- Side marker lights and reflectors
- Turn signals with lane-change feature
- Two-point motorized passive restraint system with color-keyed lap belt on driver and front passenger seats; three-point shoulder/lap belts for rear outboard passenger seats

COLORS

EXTERIOR	INTERIOR
Medium Quartz Metallic	Dark Gray Medium Quartz Crimson Red
Deep Green Pearl Coat	Dark Gray Medium Quartz
Electric Blue Metallic	Dark Gray Medium Quartz
Bright White	Dark Gray Medium Quartz Crimson Red
Medium Red Pearl Coat	Medium Quartz Crimson Red
Black	Dark Gray Medium Quartz Crimson Red
Radiant Red	Dark Gray Medium Quartz
Turquoise Metallic	Dark Gray Medium Quartz

Note: Clear Coat finish is standard on every 1993 Plymouth Laser.

SCHEDULED MAINTENANCE

Here is a partial list of Plymouth Laser's standard scheduled maintenance items (Turbo engine may vary). The complete list can be found in the Owner's Manual.

Laser with standard 1.8-liter engine.

Engine oil and filter change 7,500 miles or 12 months
 Spark plug change each 30,000 miles
 Air filter replacement each 30,000 miles
 Engine coolant replacement each 30,000 miles or 2 years

For severe service maintenance schedule, refer to Owner's Manual.

MILEAGE*

23 EPA est. city mpg, 32 EPA est. hwy. mpg

*Mileage figures based on 1993 Laser base model with standard engine and five-speed manual overdrive transaxle.

EXTERIOR COLORS



Medium Quartz Metallic



Deep Green Pearl Coat



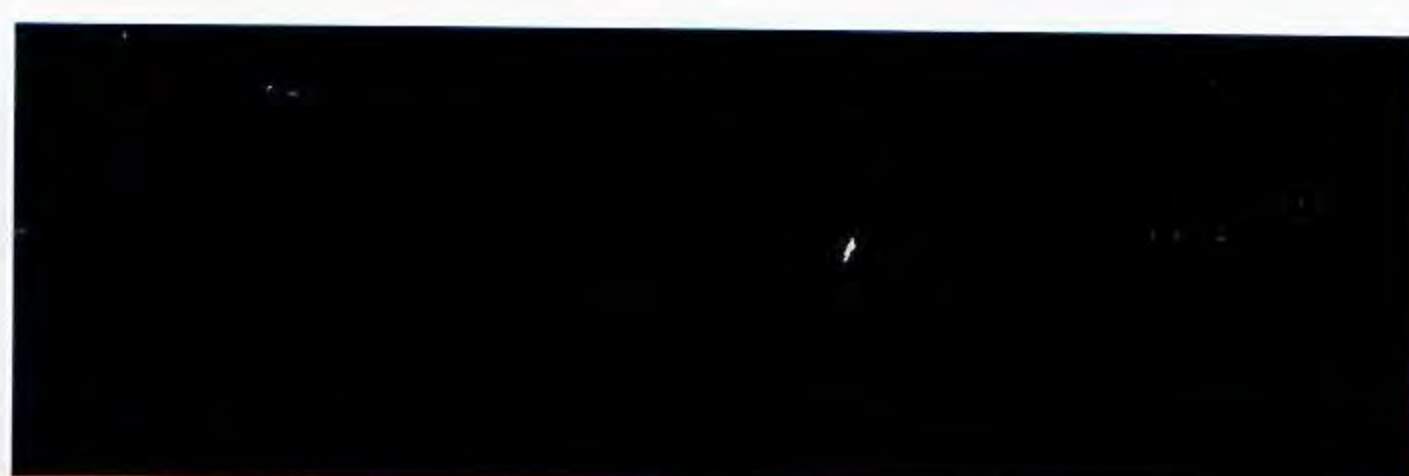
Electric Blue Metallic



Bright White



Medium Red Pearl Coat



Black



Radiant Red



Turquoise Metallic

NOTE: Due to printing limitations, the colors shown will vary slightly from actual hues. See your dealer for accurate color chips.



THE OWNER'S CHOICE PROTECTION PLAN

Now you have a choice of protection plans to suit your needs. When you purchase a new 1993 Plymouth Laser, you can choose either of the two limited warranty plans described below.

3/36 BUMPER-TO-BUMPER LIMITED WARRANTY The three-year or 36,000-mile Basic Bumper-to-Bumper Limited Warranty includes a five-year or 60,000-mile Power Train Limited Warranty (excludes adjustments, tires, normal wear items and maintenance). No deductible applies. Restrictions apply. See your dealer for a copy of these limited warranties.

OR

7/70 POWER TRAIN LIMITED WARRANTY Upon expiration of the 12-month or 12,000-mile Basic Limited Warranty, coverage is extended on power train components to seven years or 70,000 miles. No deductible applies. Restrictions apply. See your dealer for a copy of these limited warranties.

7/100,000 ANTICORROSION LIMITED WARRANTY In addition, all Chrysler Corporation vehicles are covered by the 7/100,000 Outer Panel Anticorrosion Limited Warranty. Your dealer will repair or replace at no charge outer body sheet metal panels found to have developed perforation (rust-through) in normal use up to seven years or 100,000 miles. No deductible applies. See your dealer for a copy of the warranty.



We sell satisfaction.

Additional peace-of-mind protection for vehicle owners is available through optional Chrysler Service Contracts. These services are available in a variety of time and mileage combinations to meet your particular driving needs.



Chrysler Credit Financing Chrysler Credit offers a variety of finance programs that can help make your new Plymouth Laser even more affordable. These flexible finance programs can be tailored to suit your budget and your lifestyle. They include Gold Key Plus, College Graduate Plans, Gold Key Lease, Retail Financing and other special payment plans. Ask your salesperson for details.



MOPAR parts are engineered by Chrysler Corporation for use in your new Plymouth Laser. When replacement is necessary, be sure to specify MOPAR parts. Used by professional automotive technicians worldwide.

MOPAR ACCESSORIES Here is a list of the more popular Mopar accessories available for Plymouth Laser. See your dealer for a complete list and availability by model.

- EVS II/Keyless Entry (See page 12)
- Vinyl Front End Cover
- Ski Carrier/Bike Carrier
- Compact Disc Changer
- Molded Splash Guards



Chrysler Cellular Systems For 1993, Chrysler will be offering a selection of dealer-installed/supplied cellular phones in several models to enhance the available optional equipment list. Ask your dealer for details. Panasonic is the warrantor and services this product. Restrictions apply. Ask your dealer for details and a copy of the limited warranty.



Physically Challenged Assistance Program Cash reimbursement of up to \$500 for purchase and installation of adaptive driving aids or passenger equipment on new 1993 Chrysler Corporation cars, trucks or vans. For further information, contact your dealer or the PHYSICALLY CHALLENGED RESOURCE CENTER at 1-800-255-9877.

All product illustrations and specifications are based upon current information at the time of publication approval. Although descriptions are believed correct, complete accuracy cannot be guaranteed. Chrysler Corporation reserves the right to make changes from time to time, without notice or obligation, in prices, specifications, colors and materials, and to change or discontinue models. See your dealer for the latest information.

Plymouth and MOPAR are registered trademarks, and Laser is a trademark of Chrysler Corporation.

Laser built for Chrysler Corporation. Sold and serviced by over 2,900 Plymouth dealers.

Buckle up for safety.



ADVANTAGE: LASER

A DIVISION OF THE CHRYSLER CORPORATION



The New Site For Car Brochures

DEZO'S GARAGE

